



A6 RUNNING BOARDS

Assembly, Installation, Operation,
and Maintenance Instructions

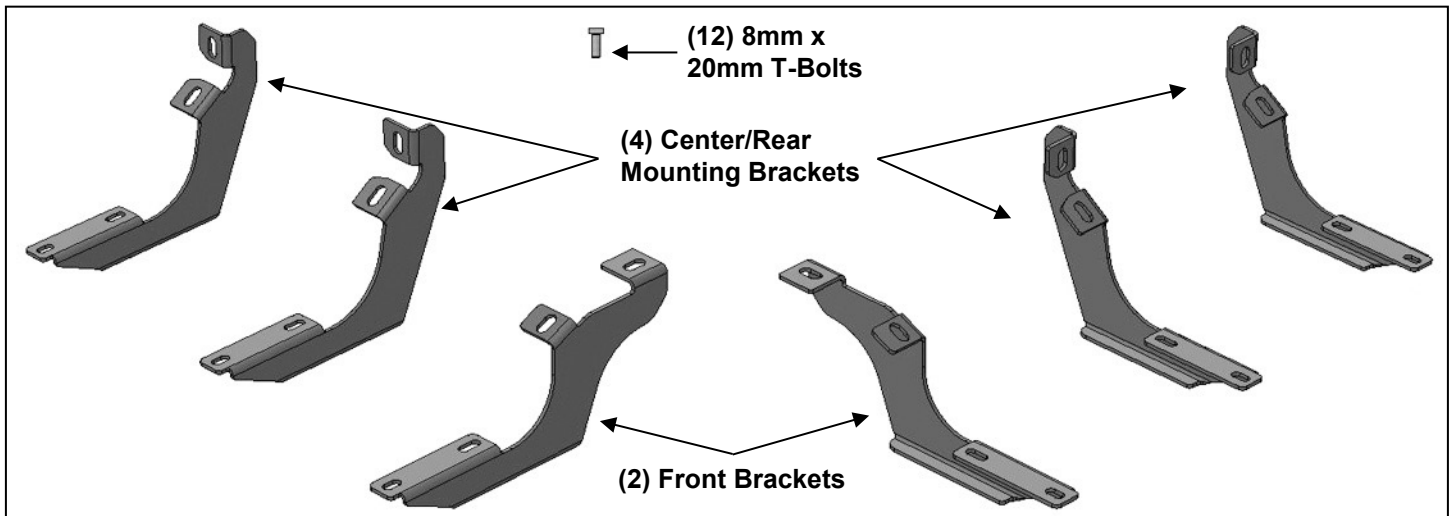
PART NUMBER	AL6009B
INSTALL TIME	120 MINUTES

2019-2023 FORD RANGER CREW CAB

DEALER / INSTALLER	Provide a copy of these instructions to the end user of this product. These instructions provide important operating and safety information for proper usage of this product. Demonstrate the proper use of the product with the end user. Have the end user demonstrate that they understand the proper use of the product.
END USER	Read and follow all instructions included in this manual. Ask your Dealer/Installer for assistance if you do not understand the proper use of the product. Never remove any decals from the product. Failure to follow these instructions can result in injury or death.

PACKAGE CONTENTS

RUNNING BOARDS (76in)	2	10mm LOCK WASHERS	12
FRONT MOUNTING BRACKETS	2	8mm X 20mm T-BOLTS	12
CENTER/REAR MOUNTING BRACKETS	4	8mm X 24mm X 2mm FLAT WASHERS	12
10mm X 25mm HEX BOLTS	12	8mm LOCK WASHERS	12
10mm X 27mm X 3mm FLAT WASHERS	12	8mm HEX NUTS	12



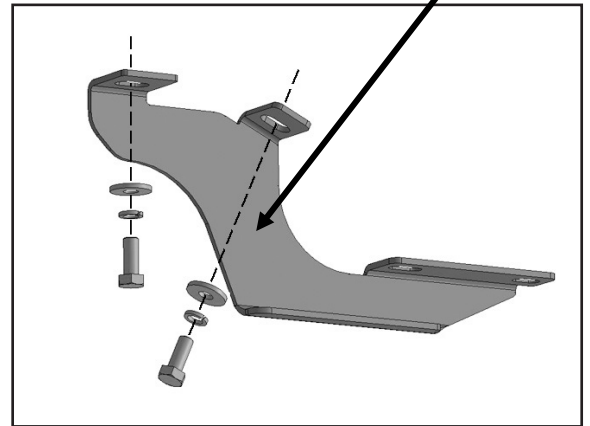
PROCEDURE

REMOVE CONTENTS FROM BOX. VERIFY ALL PARTS ARE PRESENT. READ INSTRUCTIONS CAREFULLY BEFORE STARTING INSTALLATION.

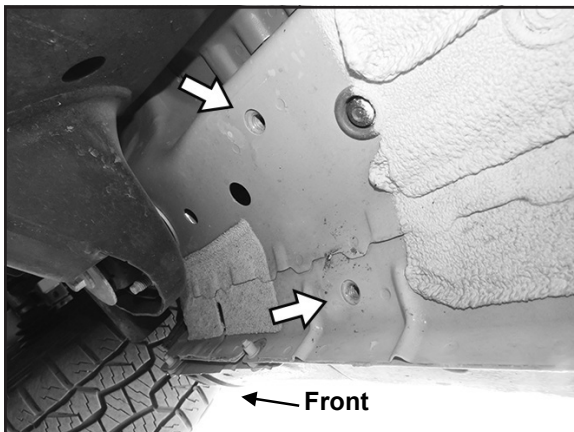
1. Starting on the passenger/right side of the vehicle, locate the threaded mounting holes in the rocker panel closest to the front wheel opening, **(Figure 1)**. Remove the plugs covering the mounting holes.
2. Select (1) Front Mounting Bracket. Attach the Bracket to the passenger/right front location with (2) 10mm x 25mm Hex Bolts, (2) 10mm Lock Washers and (2) 10mm x 27mm Flat Washers **(Figures 2 & 3)**. Do not fully tighten hardware at this time.

Passenger/Right Side Installation Pictured

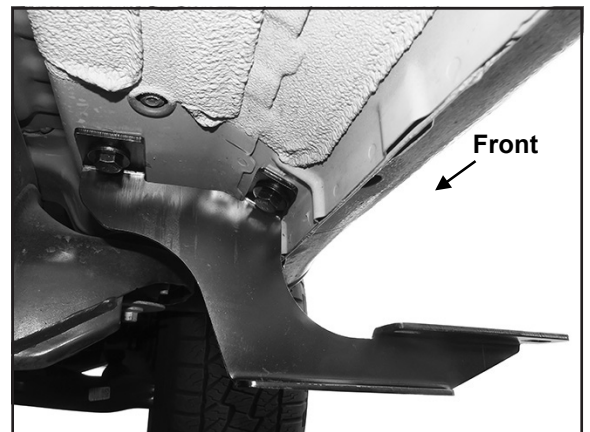
(2) 10mm Hex Bolts
(2) 10mm Lock Washers
(2) 10mm Flat Washers



(Figure 2) Attach (1) Front Bracket to the passenger/right front mounting location.



(Figure 1) Passenger/right front mounting location.



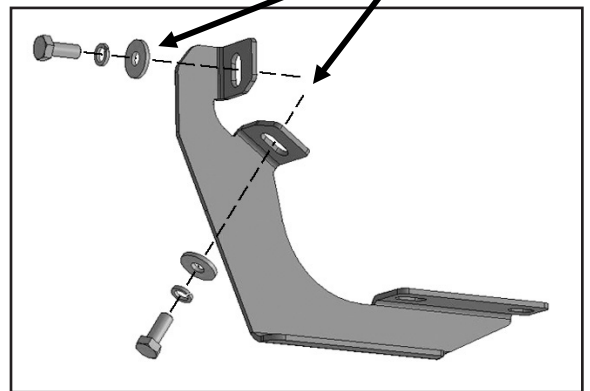
(Figure 3) Front Bracket attached to the passenger/right front mounting location.

PROCEDURE (CONTINUED)

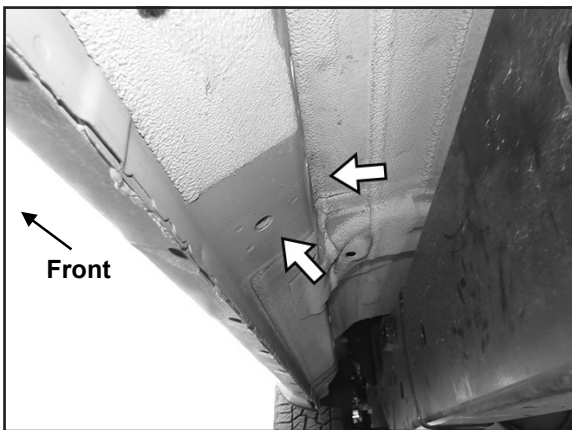
3. Move along the side of the vehicle to the center mounting location, **(Figure 4)**. Repeat **Steps 2 & 3** to attach (1) Center/Rear Mounting Bracket to the center location, **(Figures 5 & 6)**. Do not fully tighten hardware at this time.

Passenger/Right Side Installation Pictured

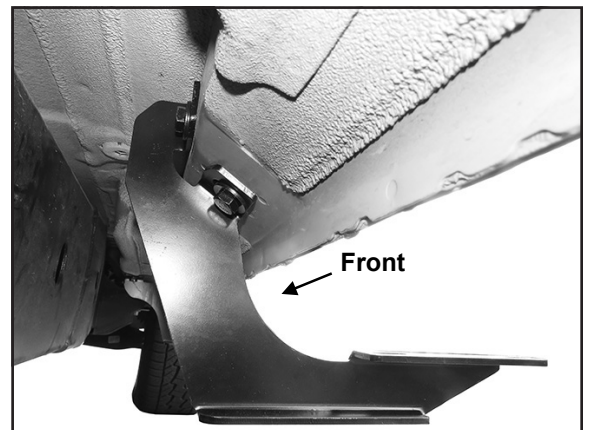
(2) 10mm Hex Bolts
(2) 10mm Lock Washers
(2) 10mm Flat Washers



(Figure 5) Attach (1) Center/Rear Bracket to the passenger/right center mounting location.



(Figure 4) Passenger/right center mounting location (arrows).



(Figure 6) Center/Rear Bracket attached to the passenger/right center mounting location.

PROCEDURE (CONTINUED)

4. Continue along the side of the vehicle to the last mounting location, **(Figure 7)**. Repeat **Steps 2-4** to attach (1) Center/Rear Mounting Bracket to the rear location, **(Figure 8)**. Do not fully tighten hardware.

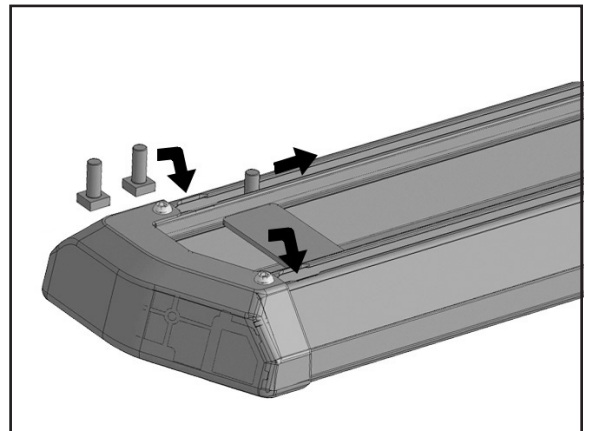
5. Carefully unwrap the Running Boards. Select (1) Running Board. Insert (3) 8mm T-Bolts into each channel in the bottom of the Running Board, **(Figure 9)**.

6. With assistance, place the Running Board on top of the Brackets. Guide the T-Bolts in the Running Board down through the slots in the Brackets, **(Figure 10)**. **IMPORTANT:** Do not slide, (front to back), the Running Board on the Brackets or damage to the finish may result.

Passenger/Right Side Installation Pictured

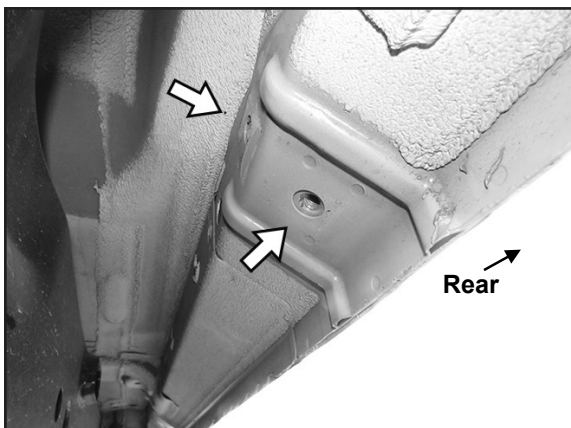


(Figure 8) Center/Rear Bracket attached to the passenger/right rear mounting location.

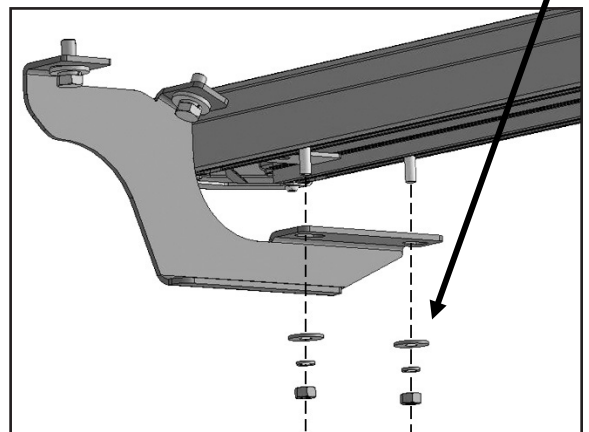


(Figure 9) Insert (3) 8mm T-Bolts into each channel in the bottom of the Running Board.

(2) 8mm Flat Washers
(2) 8mm Lock Washers
(2) 8mm Hex Nuts



(Figure 7) Passenger/right rear mounting location (arrows).



(Figure 10) Attach the Passenger/right Running Board to the front Mounting Bracket.

PROCEDURE (CONTINUED)

7. Attach the Running Board to the Brackets with (6) 8mm Flat Washers, (6) 8mm Lock Washers and (6) 8mm Hex Nuts, **(Figures 10-14)**. Do not tighten hardware.

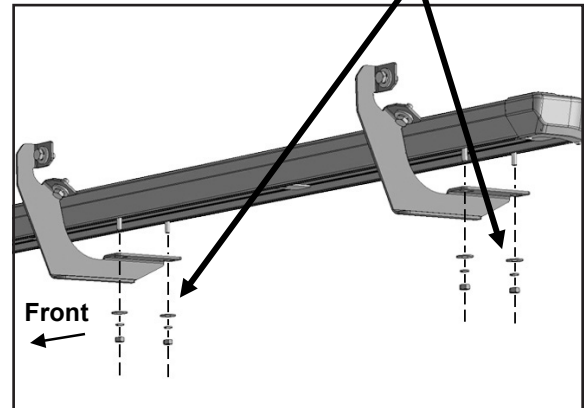
8. Level and adjust the Running Board to the vehicle and tighten all hardware.

9. Repeat **Steps 2-9** for driver/left Running Board installation. **NOTE:** Measure the distance from the passenger/right front wheel opening or front mud flap to the front end of the passenger/right running board. Apply this measurement to the driver/left Running Board.

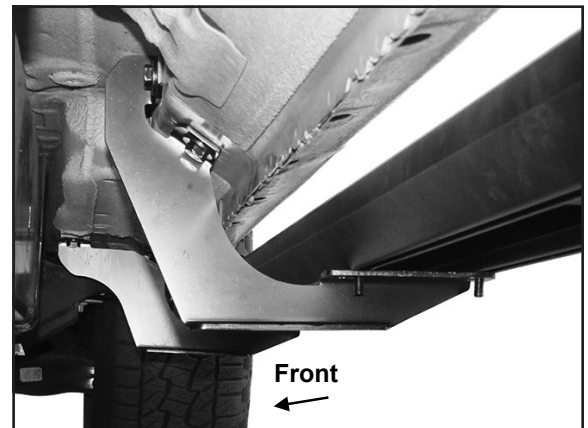
10. Do periodic inspections to the installation to make sure that all hardware is secure and tight.

Passenger/Right Side Installation Pictured

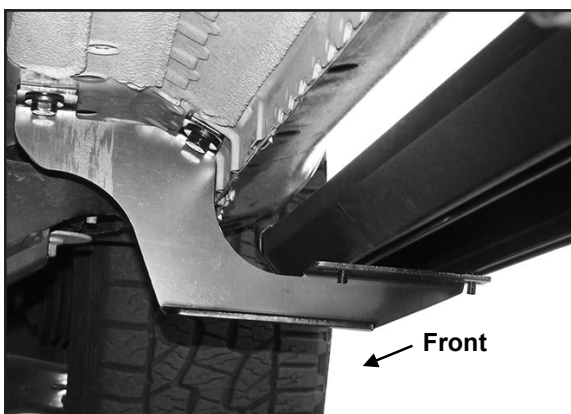
(2) 8mm Flat Washers
(2) 8mm Lock Washers
(2) 8mm Hex Nuts



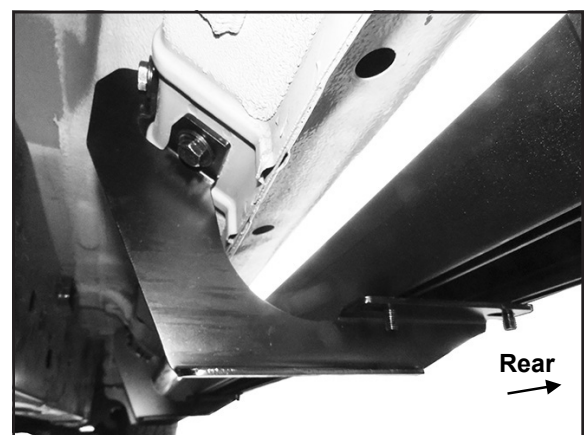
(Figure 12) Attach the Passenger/right Running Board to the center and rear Brackets.



(Figure 13) Attach the Passenger/right Running Board to the center Bracket.



(Figure 11) Attach the Passenger/right Running Board to the front Mounting Bracket.



(Figure 14) Attach the Passenger/right Running Board to the rear Bracket.

PRODUCT CARE

- Periodically check the product to ensure all fasteners are tight and components are intact.
- Regular waxing is recommended to protect the finish of the product.
- Use ONLY Non-Abrasive automotive wax. Use of any soap, polish or wax that contains an abrasive is detrimental and can scratch the finish leading to corrosion.
- Mild soap may be used to clean the product for Black finish.

FAQs

Hardware and mounting brackets are not aligning properly.	Ensure that hardware is being used on the correct side of vehicle. In some cases, the hardware may appear the same for driver and passenger side but may alter the alignment of mounting location. Check mounting brackets for both sides.
Products are thumping / rattling after Installation.	Ensure that all required mounting brackets/hardware's are installed & tightened correctly. Suggest using white Lithium/regular grease between metal-to-metal contact.
Missing / Excess Hardware.	Recheck hardware count as per the part list.
Product not installing properly.	Ensure the Year/Make/Model as well as cab and bed dimensions are correct for the application. Review all steps for installation to ensure they were followed correctly.
Who should be contacted for questions regarding product / installation assistance?	www.trailfx.com / support@trailfx.com or 1-(866) 638-4870

CONTACT US

WEBSITE: TrailFX.com

PHONE: 1-866-638-4870

EMAIL: support@trailfx.com

WARRANTY TERMS

Black Powder Coated: Limited Lifetime Warranty

TrailFX and Keystone Automotive Operations Inc. make no guarantees or warranties for products not manufactured by Keystone Automotive Operations Inc. Such products are covered solely under any applicable warranty of the manufacturer. It is always recommended that the operating instructions and warranty instructions provided by the manufacturer are followed.

Keystone Automotive Operations Inc. warrants its products to be free from manufacturing and material defects to the original purchaser for the length of warranty stated above from the date of retail purchase. If any products are found to have a manufacturing or material defect, the product will be replaced or repaired at the option of TrailFX and Keystone Automotive Operations Inc. with proof of purchase by the original purchaser. The original purchaser shall pay all transportation and shipping costs associated with the return of the defective product and the defective product shall become the property of Keystone Automotive Operations Inc.

This Warranty applies to Keystone Automotive Operations Inc. products used for individual and recreational purposes. Commercial usage of the Keystone Automotive Operations Inc. products limits the warranty to 90 days from the date of purchase.

This Warranty applies only to Keystone Automotive Operations Inc. products which are found to be defective in manufacturing or material. This warranty does not apply to normal wear and tear of the finish placed on Keystone Automotive Operations Inc. products.

TrailFX and Keystone Automotive Operations Inc. are not responsible for any labor costs incurred for removal or replacement of the defective product.

TrailFX and Keystone Automotive Operations Inc. are not responsible for repair or replacement of any product under the limited warranty where the product was improperly installed, misapplied, altered, abused, neglected, overloaded, misused, or damaged as a result of an accident, including any use of the product not in accordance with all products operating and safety instructions.

Without limiting the generality of the foregoing, TrailFX and Keystone Automotive Operations Inc. shall under no circumstances be liable for any incidental or consequential loss or damage whatsoever arising out of, or in any way relating to any such breach of warranty or claimed defect in, or non-performance of the products. Some states do not allow the exclusion or limitation of incidental or consequential damages, so the above exclusion or limitation may not apply to you.

This limited warranty gives you specific legal rights, and you may also have other rights that vary from state to state.