



5" OVAL BENT NERF BAR

Assembly, Installation, Operation,
and Maintenance Instructions

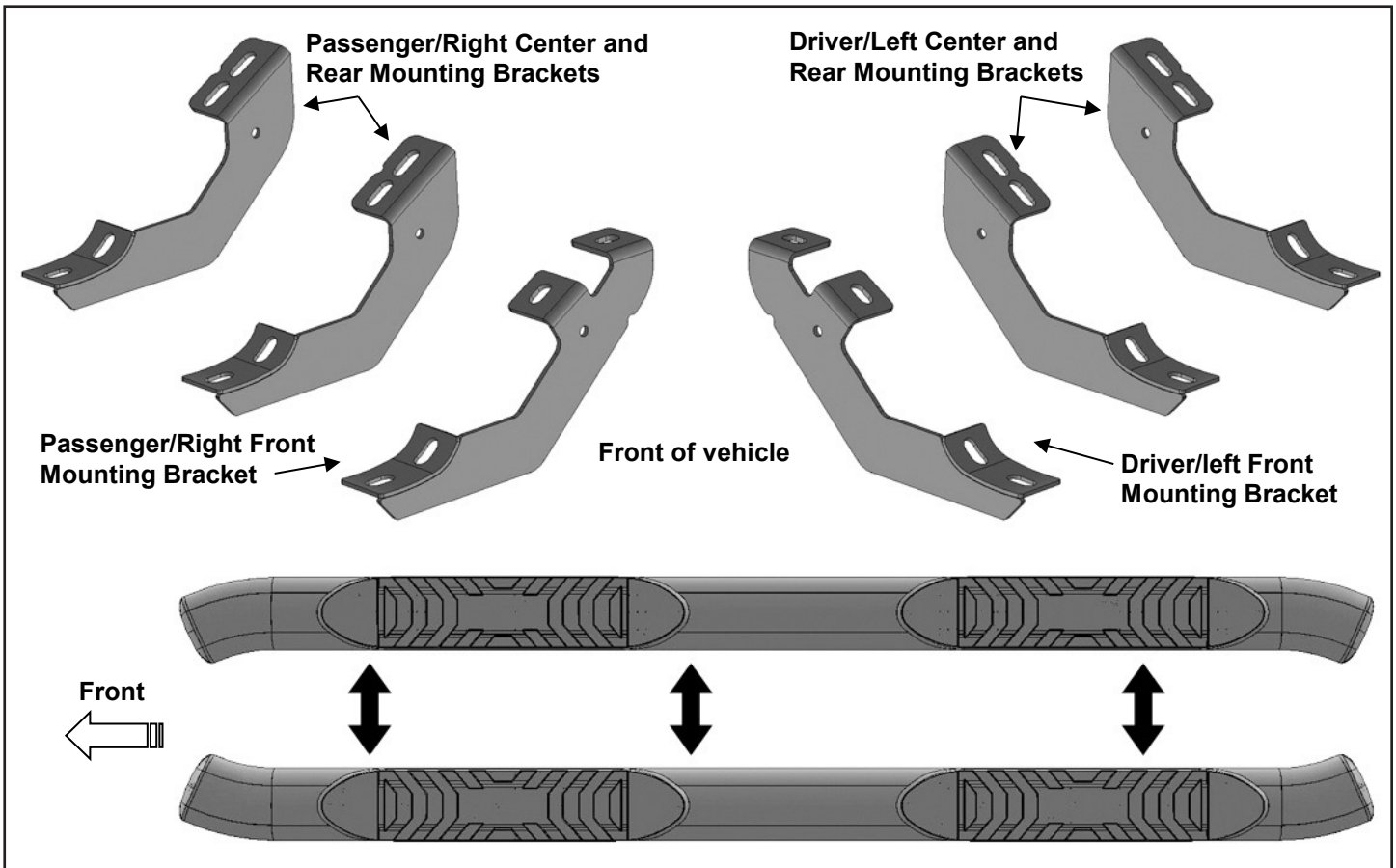
PART NUMBER	A7103S/T
INSTALL TIME	120 MINUTES

2024+ TOYOTA TACOMA DOUBLE CAB

DEALER / INSTALLER	Provide a copy of these instructions to the end user of this product. These instructions provide important operating and safety information for proper usage of this product. Demonstrate the proper use of the product with the end user. Have the end user demonstrate that they understand the proper use of the product.
END USER	Read and follow all instructions included in this manual. Ask your Dealer/Installer for assistance if you do not understand the proper use of the product. Never remove any decals from the product. Failure to follow these instructions can result in injury or death.

PACKAGE CONTENTS

DRIVER/LEFT SIDE BAR	1	PASSENGER/RIGHT CENTER/REAR MOUNTING BRACKETS	2
PASSENGER/RIGHT SIDE BAR	1	8-1.25mm X 25mm COMBINATION BOLTS	12
DRIVER/LEFT FRONT MOUNTING BRACKET	1	8-1.25mm X 30mm HEX BOLTS	12
PASSENGER/RIGHT FRONT MOUNTING BRACKET	1	8mm X 24mm X 2mm FLAT WASHERS	12
DRIVER/LEFT CENTER/REAR MOUNTING BRACKETS	2	8mm LOCK WASHERS	12





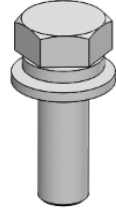
Lock
Washer



Flat
Washer



Hex Bolt



Combo Bolt

TOOLS REQUIRED



Ratchet



13mm Socket



Extensions



Wrench

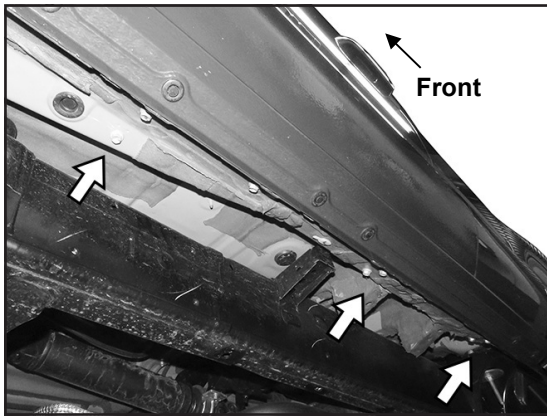
PROCEDURE

1. REMOVE CONTENTS FROM BOX. VERIFY ALL PARTS ARE PRESENT. READ INSTRUCTIONS CAREFULLY. USE ILLUSTRATION TO PROPERLY IDENTIFY BRACKETS AND SIDEBARS.

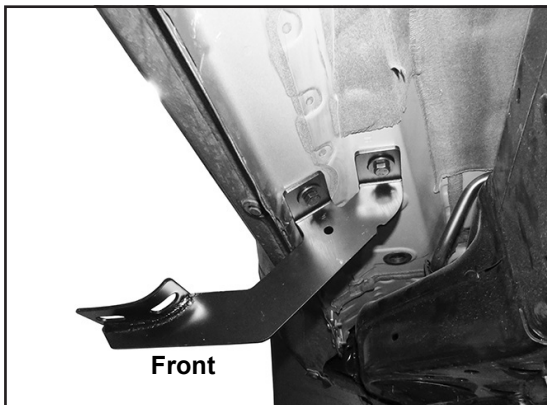
2. Starting on the driver/left front of the vehicle, remove the plastic plugs or hex bolts filling the threaded holes in the body panel, **(Figure 1)**. Select the driver/left Front Mounting Bracket, **(Figure 2)**. Attach the Bracket to the vehicle with the included (2) 8mm x 30mm Hex Bolts, (2) 8mm Lock Washers and (2) 8mm Flat Washers, **(Figure 3)**. Do not tighten hardware at this time.

3. Move along the side of the vehicle to the next or center mounting location, **(Figure 1)**. Select (1) driver/left Center/rear Mounting Bracket, **(Figure 4)**.

Driver/Left Side Installation Pictured

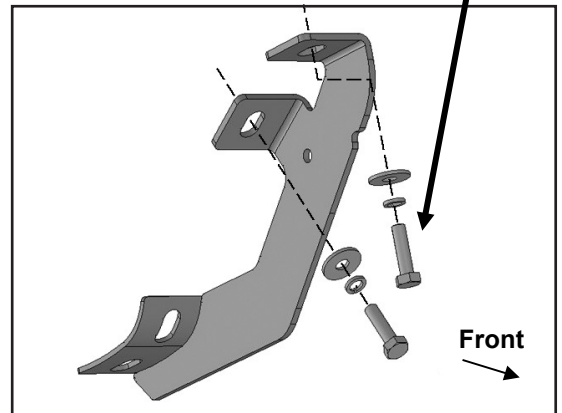


(Figure 1) Driver/left side mounting locations (arrows). Remove factory hex bolts from threaded holes as pictured.



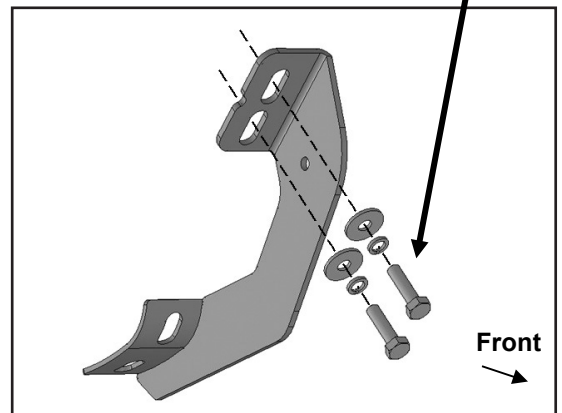
(Figure 3) Driver/left front Mounting Bracket installed.

(2) 8mm x 30mm Hex Bolts
(2) 8mm Flat Washers
(2) 8mm Lock Washers



(Figure 2) Attach driver/left front Mounting Bracket to front location.

(2) 8mm x 30mm Hex Bolts
(2) 8mm Flat Washers
(2) 8mm Lock Washers



(Figure 4) Attach driver/left Center/rear Mounting Brackets.

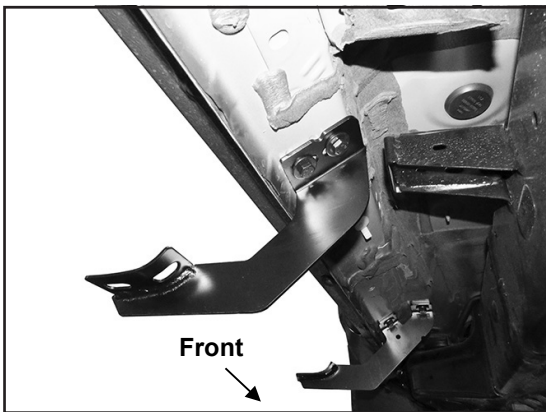
PROCEDURE (CONTINUED)

4. Repeat **Step 2** for center Mounting Bracket installation, (**Figure 5**). **IMPORTANT:** The Center and Rear Brackets are the same. Properly identify all Brackets before installing. Move to the last mounting location at the rear of the cab, (**Figure 1**). Select the remaining driver/left Center/rear Bracket, (**Figure 4**). Repeat the previous **Steps** for Rear Mounting Bracket installation, (**Figure 6**).

5. Carefully place the driver/left Side Bar onto the Brackets. **IMPORTANT:** Do not slide, (front to back or rotate), the Side Bar on the Brackets or damage to the finish may result. Align the inserts in the bottom of the Side Bar with the slots in the Mounting Brackets.

6. Attach the Side Bar to the front Mounting Bracket with the included (2) 8mm x 25mm Combination Hex Bolts, (**Figures 7 & 8**). Do not tighten hardware at this time.

Driver/Left Side Installation Pictured

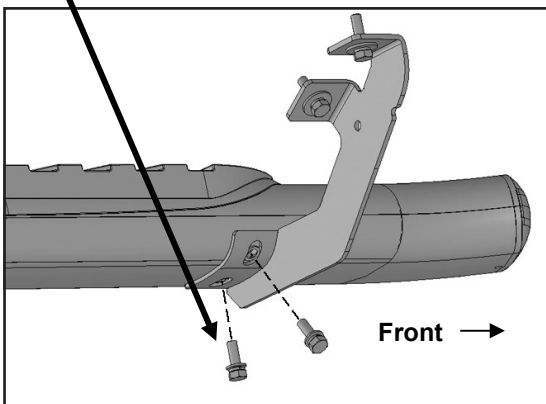


(Figure 5) Driver/left center Mounting Bracket installed.

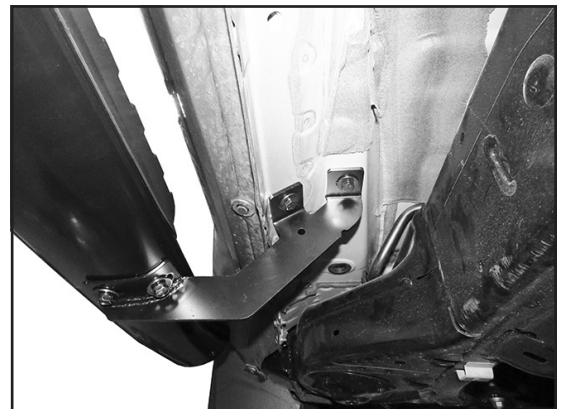


(Figure 6) Driver/left rear Mounting Bracket installed.

(2) 8mm x 25mm
Combo Bolts



(Figure 7) Attach driver/left Side Bar to front Mounting Bracket.



(Figure 8) Driver/left Side Bar front Bracket complete installation.

PROCEDURE (CONTINUED)

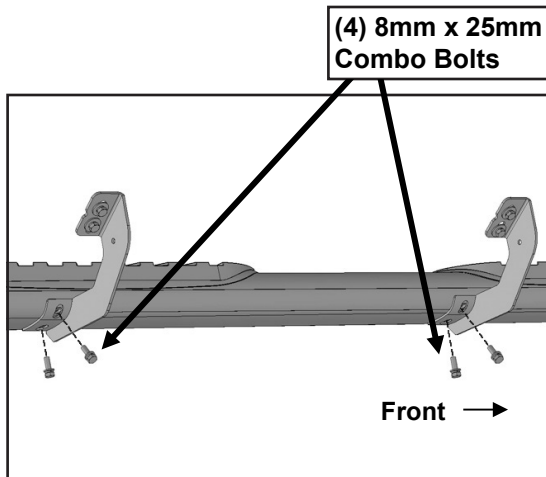
7. Attach the Side Bar to the center and rear Mounting Brackets with the included (4) 8mm x 25mm Combination Hex Bolts, **(Figures 9-11)**. Do not tighten hardware at this time.
8. Level and adjust the Side Bar properly and tighten all hardware.
9. Repeat **Steps 2-8** for passenger/right Side Bar installation.
10. Do periodic inspections to the installation to make sure that all hardware is secure and tight.

To protect your investment, wax this product after installing. Regular waxing is recommended to add a protective layer over the finish. Do not use any type of polish or wax that may contain abrasives that could damage the finish.

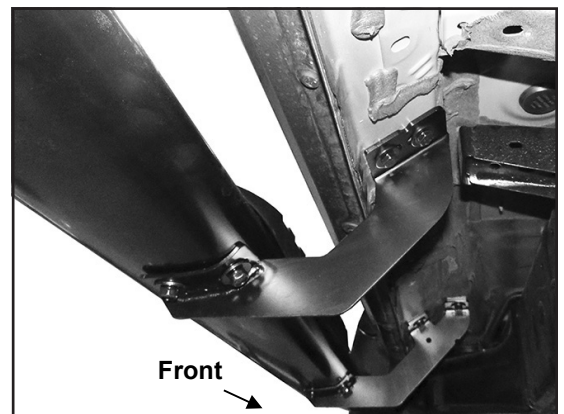
For stainless steel: Aluminum polish may be used to polish small scratches and scuffs on the finish. Mild soap may be used also to clean the Side Bar.

For gloss black finishes: Mild soap may be used to clean the Side Bar.

Driver/Left Side Installation Pictured



(Figure 9) Attach driver/left Side Bar to center and rear Mounting Brackets.



(Figure 10) Driver/left Side Bar attached to center Mounting Bracket.



(Figure 11) Driver/left Side Bar attached to rear Mounting Bracket.



Complete Installation.

PRODUCT CARE

- Periodically check the product to ensure all fasteners are tight and components are intact.
- Regular waxing is recommended to protect the finish of the product.
- Use ONLY Non-Abrasive automotive wax. Use of any soap, polish or wax that contains an abrasive is detrimental and can scratch the finish leading to corrosion.
- Aluminum polish may be used to polish small scratches and scuffs for Stainless Steel finish.
- Mild soap may be used to clean the product for both Stainless Steel and Black finish.

FAQs

Hardware and mounting brackets are not aligning properly.	Ensure that hardware is being used on the correct side of vehicle. In some cases, the hardware may appear the same for driver and passenger side but may alter the alignment of mounting location. Check mounting brackets for both sides.
Products are thumping / rattling after Installation.	Ensure that all required mounting brackets/hardware's are installed & tightened correctly. Suggest using white Lithium/regular grease between metal-to-metal contact.
Missing / Excess Hardware.	Recheck hardware count as per the part list.
Product not installing properly.	Ensure the Year/Make/Model as well as cab and bed dimensions are correct for the application. Review all steps for installation to ensure they were followed correctly.
Who should be contacted for questions regarding product / installation assistance?	www.trailfx.com / support@trailfx.com or 1-(866) 638-4870

WARRANTY TERMS

Black Powder Coated: 3 Year Limited Warranty
Stainless Steel Polished: Limited Lifetime Warranty

TrailFX and Keystone Automotive Operations Inc. make no guarantees or warranties for products not manufactured by Keystone Automotive Operations Inc. Such products are covered solely under any applicable warranty of the manufacturer. It is always recommended that the operating instructions and warranty instructions provided by the manufacturer are followed.

Keystone Automotive Operations Inc. warrants its products to be free from manufacturing and material defects to the original purchaser for the length of warranty stated above from the date of retail purchase. If any products are found to have a manufacturing or material defect, the product will be replaced or repaired at the option of TrailFX and Keystone Automotive Operations Inc. with proof of purchase by the original purchaser. The original purchaser shall pay all transportation and shipping costs associated with the return of the defective product and the defective product shall become the property of Keystone Automotive Operations Inc.

This Warranty applies to Keystone Automotive Operations Inc. products used for individual and recreational purposes. Commercial usage of the Keystone Automotive Operations Inc. products limits the warranty to 90 days from the date of purchase.

This Warranty applies only to Keystone Automotive Operations Inc. products which are found to be defective in manufacturing or material. This warranty does not apply to normal wear and tear of the finish placed on Keystone Automotive Operations Inc. products.

TrailFX and Keystone Automotive Operations Inc. are not responsible for any labor costs incurred for removal or replacement of the defective product.

TrailFX and Keystone Automotive Operations Inc. are not responsible for repair or replacement of any product under the limited warranty where the product was improperly installed, misapplied, altered, abused, neglected, overloaded, misused, or damaged as a result of an accident, including any use of the product not in accordance with all products operating and safety instructions.

Without limiting the generality of the foregoing, TrailFX and Keystone Automotive Operations Inc. shall under no circumstances be liable for any incidental or consequential loss or damage whatsoever arising out of, or in any way relating to any such breach of warranty or claimed defect in, or non-performance of the products. Some states do not allow the exclusion or limitation of incidental or consequential damages, so the above exclusion or limitation may not apply to you.

This limited warranty gives you specific legal rights, and you may also have other rights that vary from state to state.

CONTACT US

WEBSITE: TrailFX.com

PHONE: 1-866-638-4870

EMAIL: support@trailfx.com