



Assembly, Installation, Operation and  
Maintenance Instructions  
**Bedliner & Tailgate Cover Kit**

**Part Number:  
RLIK82**

**Install Time:  
60 minutes**

**WARNING:** PLEASE READ INSTRUCTIONS CAREFULLY BEFORE STARTING THE INSTALLATION.

**APPLICATION:** For use with 2022-2023 Ford Maverick

**Parts List:**

	Description	Qty
A	Bedliner Tub - #RFMA5U22	1
B	Tailgate Cover – #RFMA22TG	1
C	Hardware/Spacers – #RLIK82	8

**Tools Required**

Screwdriver

T25 Torx Bit

T30 Torx Bit

**Care and Maintenance:** To protect the finish of this product, clean with soap and water, do not use abrasive substances.

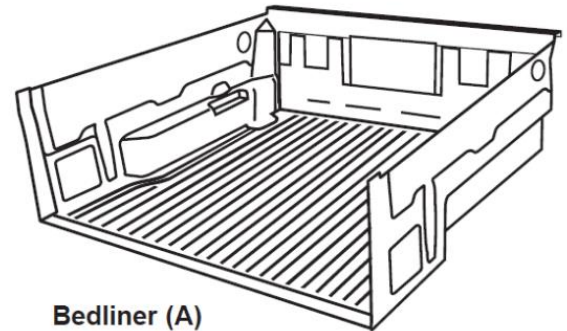


**Part Number: RLIK82**

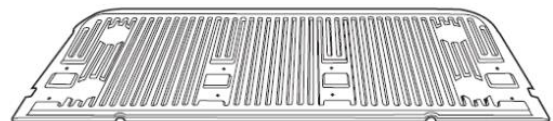
**Missing Parts – Contact TrailFX at**

1(866) 638-4870 or [support@trailfx.com](mailto:support@trailfx.com)

Any required parts will be shipped to you directly – DO NOT return whole kit to store!



Bedliner (A)



Tailgate Cover (B)

(C) 8 - Spacers



## INSTALLATION PROCEDURE:

**PLEASE READ INSTRUCTIONS CAREFULLY BEFORE STARTING THE INSTALLATION.** One person can perform the installation, but we recommend two people.

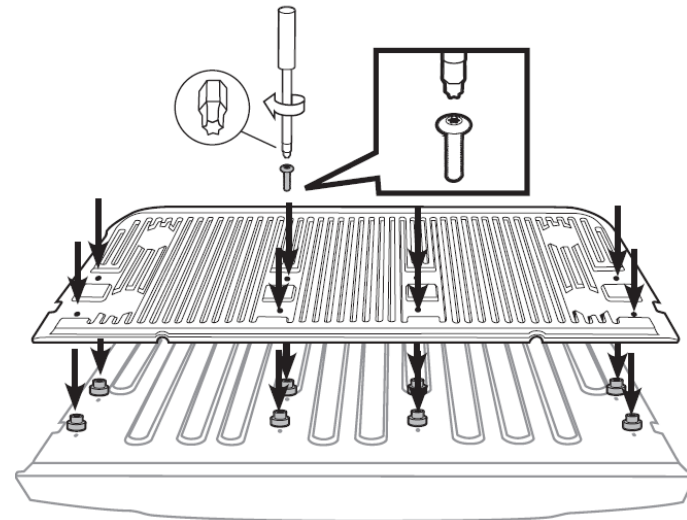
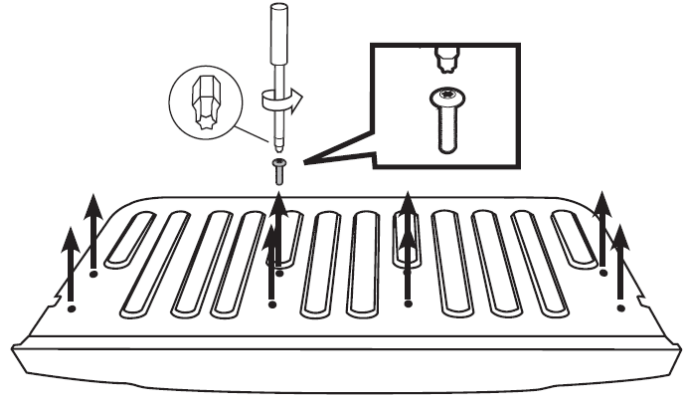
**Vehicle Preparation:** Thoroughly wash and dry the tailgate and surrounding areas.

### TAILGATER COVER INSTALLATION

1. Remove the (8) factory screws from the metal access plate attached to the tailgate using screwdriver with Torx (T25) bit.

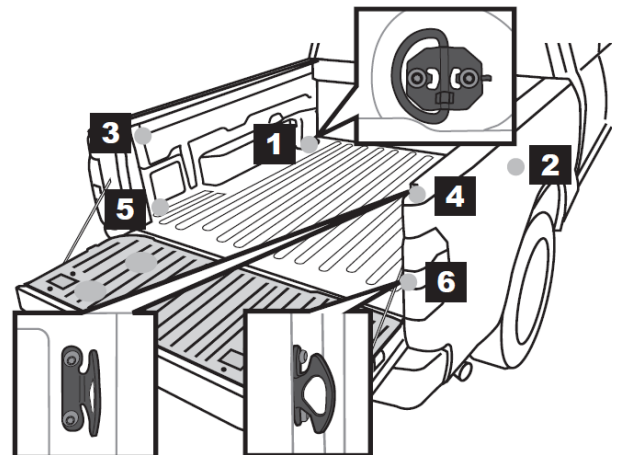
**DO NOT DISCARD OEM SCREWS**

2. Place one of the spacers (C) provided on top of the (8) holes in the metal tailgate. Install the tailgate cover (B) over the spacers through the pre-drilled holes in the tailgate cover and metal tailgate. Then replace the screws that you saved in step 3.



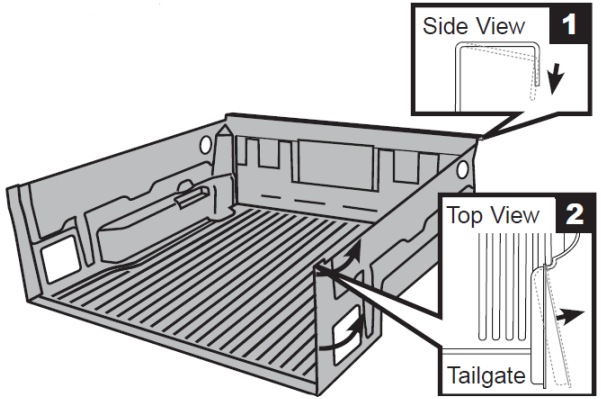
### BEDLINER TUB INSTALLATION

1. Remove front floor tie-downs (1 & 2) and rear top and bottom tie-downs (3,4,5,6) using the screwdriver with Torx (T30) bit. **DO NOT DISCARD TIE DOWNS**

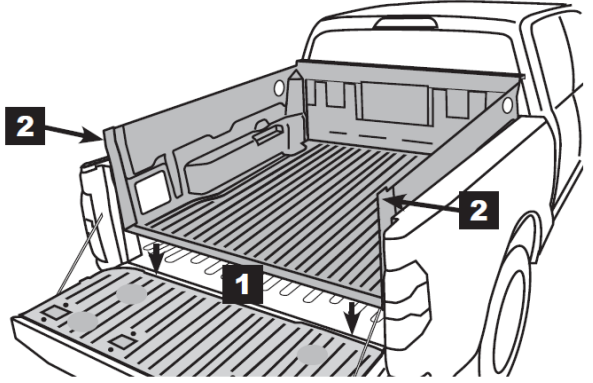


**INSTALLATION PROCEDURE CONTINUED:**

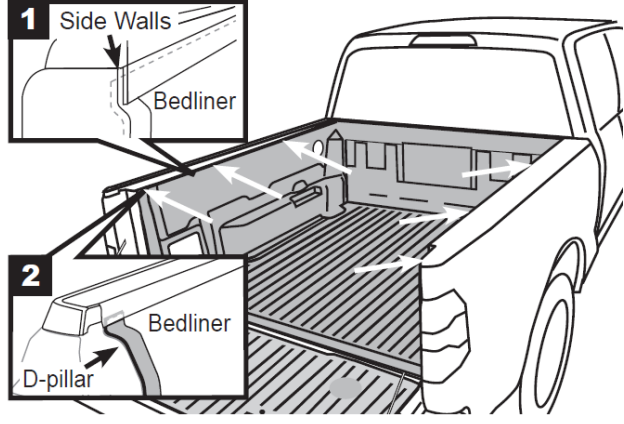
2. (1) Bend the front corners of the bulkhead downward to bend back into shape on driver and passenger side. (2) Then bend the edge of the D-pillar back in shape by pressing outward on the driver and passenger side.



3. (1) Drop the bedliner (A) straight down into bed of truck. (2) Push the rear edges towards the center of the bedliner to facilitate the insertion.



4. (1) Push the side walls under the side rail and insert the rear (2) D-pillar tab under the rail cap.



5. Replace front floor tie-downs (1 & 2) and rear top and bottom tie-downs (3,4,5,6) over the bedliner using the screwdriver with Torx (T30) bit.

