



Assembly, Installation, Operation and
Maintenance Instructions
Bedliner & Tailgate Cover Kit

**Part Number:
RLIK75**

**Install Time:
60 minutes**

WARNING: PLEASE READ INSTRUCTIONS CAREFULLY BEFORE STARTING THE INSTALLATION.

APPLICATION: For use with various Ford F150

Parts List:

Description	Qty
Bedliner Tub - (Various part #)	1
Tailgate Cover – #RF1521TG	1
Spacers	8
4” Round Covers	3
Push Pins	2
Tools Required	
Torx Screwdriver (T20)	
Utility Knife	

Care and Maintenance: To protect the finish of this product, clean with soap and water, do not use abrasive substances.



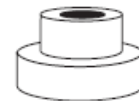
Part Number: RLIK75

Missing Parts – Contact TrailFX at

1(866) 638-4870 or support@trailfx.com

Any required parts will be shipped to you directly – DO NOT return whole kit to store!

Spacers



4” Round Hole Cover



Push Pins



INSTALLATION PROCEDURE:

PLEASE READ INSTRUCTIONS CAREFULLY BEFORE STARTING THE INSTALLATION. One person can perform the installation, but we recommend two people.

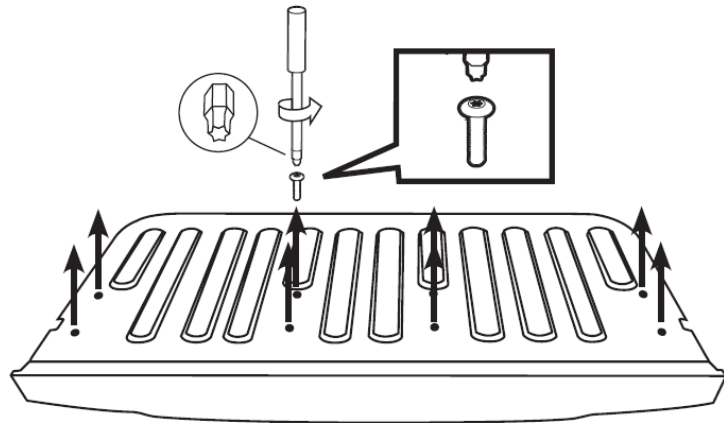
Vehicle Preparation: Thoroughly wash and dry the tailgate and surrounding areas.



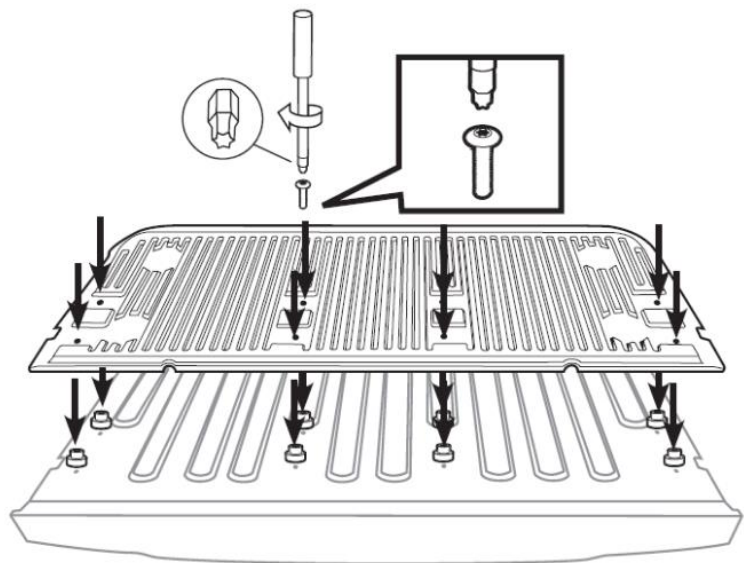
TAILGATE INSTRUCTIONS:

1. Remove the (8) factory screws from the metal access plate attached to the tailgate using the Torx screwdriver (T20).

DO NOT DISCARD OEM SCREWS.



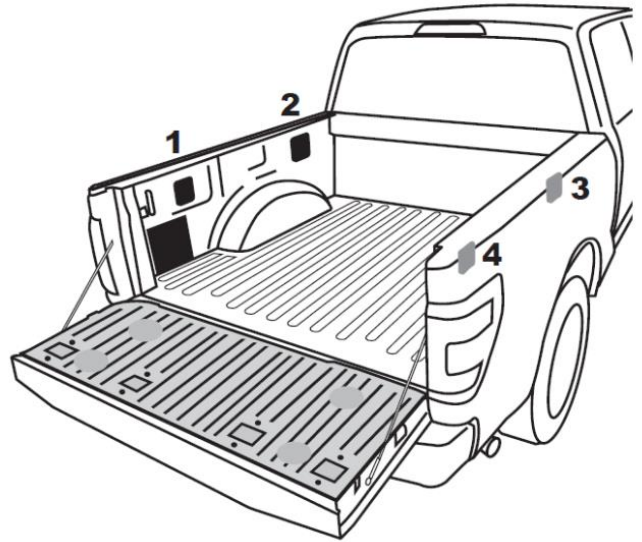
2. Place one of the spacers provided on top of the (8) holes in the metal tailgate. Install the tailgate cover over the spacers through the pre-drilled holes in the tailgate cover and the metal tailgate. Then replace the screws that you saved in step 1.



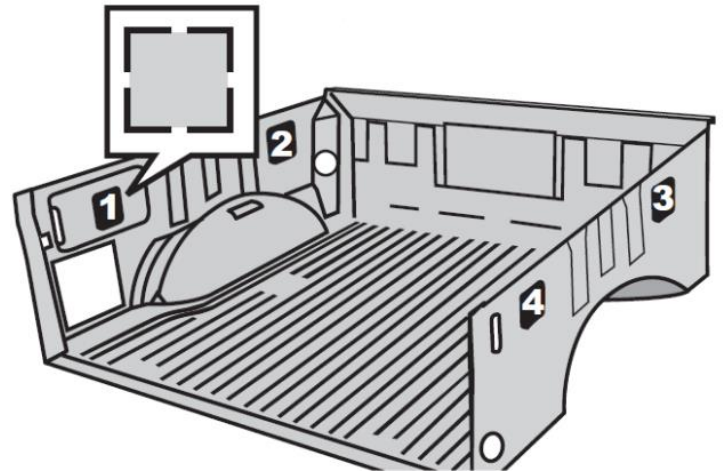
INSTALLATION PROCEDURE CONTINUED:

BEDLINER INSTRUCTIONS:

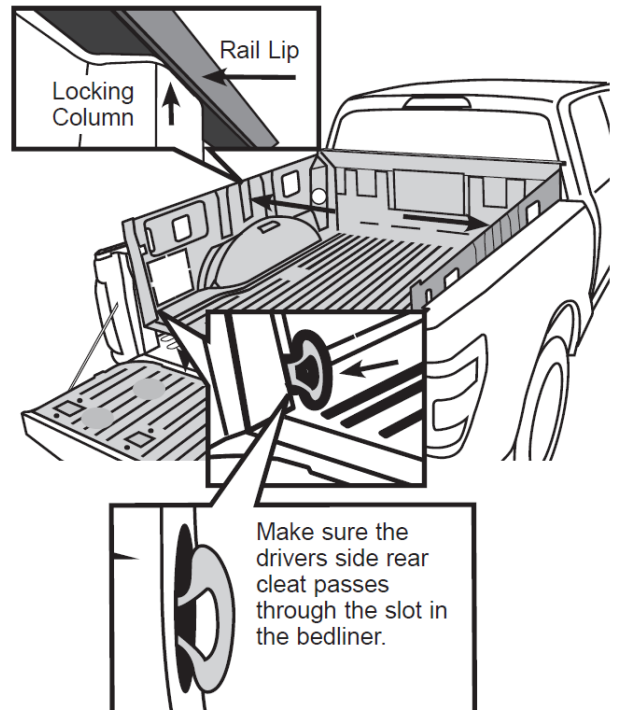
1. If your truck comes with the optional tie-downs (1,2,3,4). See Step 2. If not, skip to step 3.



2. Before installing bedliner, open the tie-downs (1,2,3,4) by cutting out the tabs in the bedliner that hold the partially cut areas.



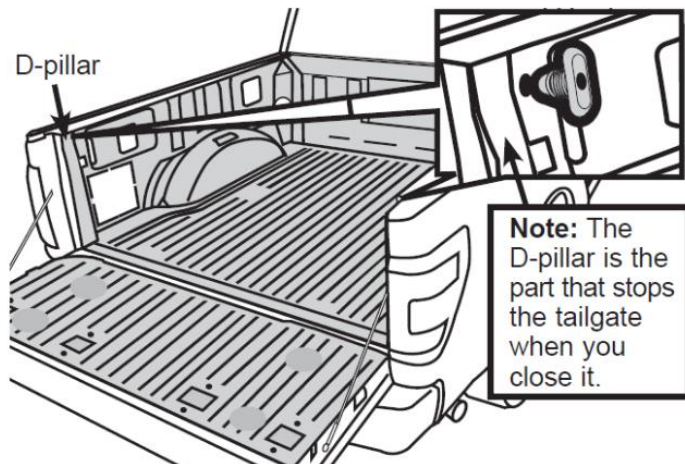
3. Drop the bedliner straight down, then push the side walls under the truck side rails. Make sure the center locking column on each side is fully engaged under the rail lip.



INSTALLATION PROCEDURE CONTINUED:

BEDLINER INSTRUCTIONS:

- 4. Locate the pre-drilled holes on the area behind the D-pillar and install one push pin on each side.



- 5. Install the round hole covers provided in the 3 tie-down access holes.

