



Assembly, Installation, Operation and
Maintenance Instructions
Bedliner Tub

Part Number:
RLIK71

Install Time:
30 minutes

WARNING: PLEASE READ INSTRUCTIONS CAREFULLY BEFORE STARTING THE INSTALLATION.

APPLICATION: *For use with various applications*

Parts List:

Description	Qty
M6-1 x 20 Hex Flange Bolt	2
DT19TGSW Washer	2

Care and Maintenance: To protect the finish of this product, clean with soap and water, do not use abrasive substances.



Part Number: RLIK71

Missing Parts – Contact TrailFX at

1(866) 638-4870 or
support@trailfx.com

Any required parts will be shipped to you directly – DO NOT return whole kit to store!

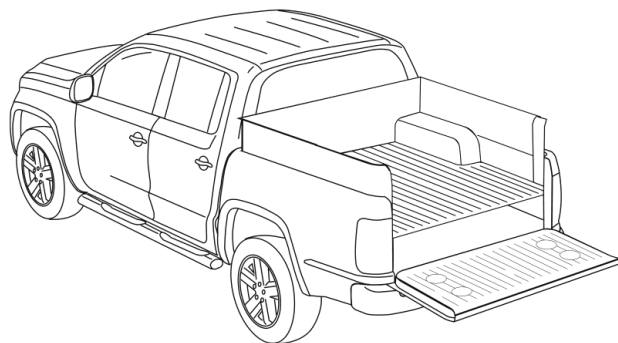
INSTALLATION PROCEDURE:

PLEASE READ INSTRUCTIONS CAREFULLY BEFORE STARTING THE INSTALLATION. One person can perform the installation, but we recommend two people.

Vehicle Preparation: Thoroughly wash and dry the tailgate and surrounding areas.



1. Place the bedliner into the truck box.



2. Locate the welded nut at the D-pillar area of the truck bed and the pre-drilled hole in the bedliner, then install one bolt and one washer on each side.

