



Assembly, Installation, Operation and  
Maintenance Instructions  
**Bedliner & Tailgate Cover Kit**

**Part Number:  
RLIK70**

**Install Time:  
60 minutes**

**WARNING: PLEASE READ INSTRUCTIONS CAREFULLY BEFORE STARTING THE INSTALLATION.**

**APPLICATION:** *For use with various Ram HD vehicles*

**Parts List:**

Description	Qty
Bedliner Tub - (Various part #)	1
Tailgate Cover – #RD06TGNR	1
Bolts	8
2” Spacers	4
1” Spacers	4
Tools Required	
Torx Screwdriver (T20)	
Utility Knife	

**Care and Maintenance:** To protect the finish of this product, clean with soap and water, do not use abrasive substances.



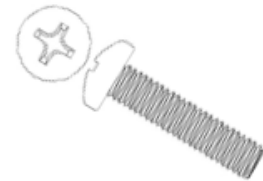
**Part Number: RLIK70**

**Missing Parts – Contact TrailFX at**

1(866) 638-4870 or [support@trailfx.com](mailto:support@trailfx.com)

Any required parts will be shipped to you directly – DO NOT return whole kit to store!

**Bolts**



**2” Spacers**



**1” Spacers**



## INSTALLATION PROCEDURE:

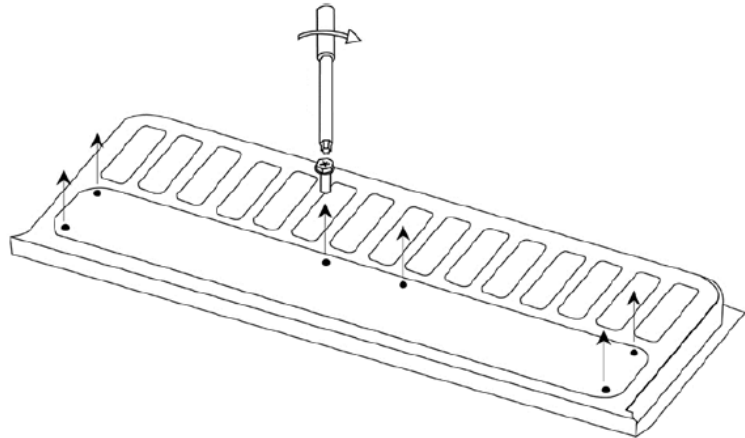
**PLEASE READ INSTRUCTIONS CAREFULLY BEFORE STARTING THE INSTALLATION.** One person can perform the installation, but we recommend two people.

**Vehicle Preparation:** Thoroughly wash and dry the tailgate and surrounding areas.

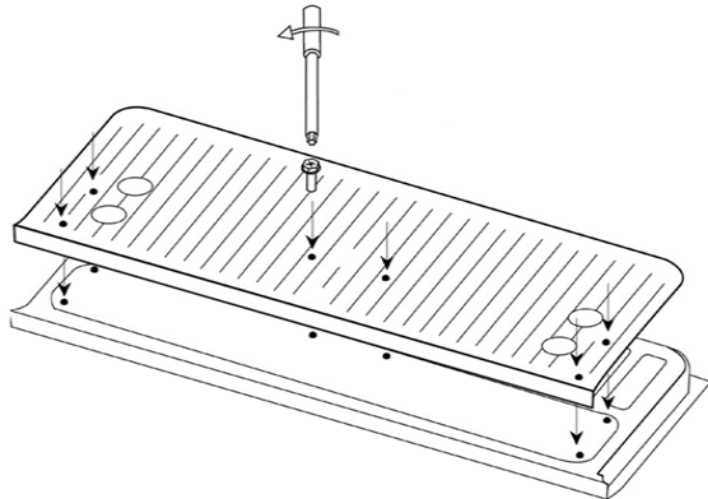


## TAILGATE INSTRUCTIONS:

1. Locate the screws on the tailgate that match with the pre-drilled holes on the plastic tailgate cover. Using a screwdriver, remove the screws. **DO NOT DISCARD OEM SCREWS.**



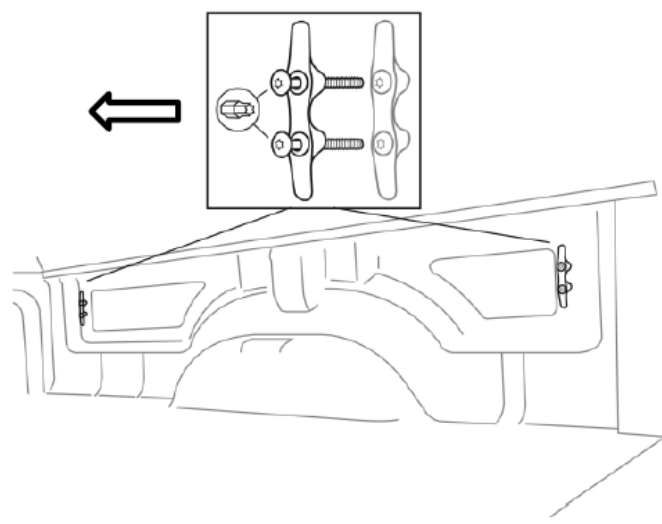
2. Install the tailgate cover by centering the pre-drilled holes then re-installing screws saved from step 1.



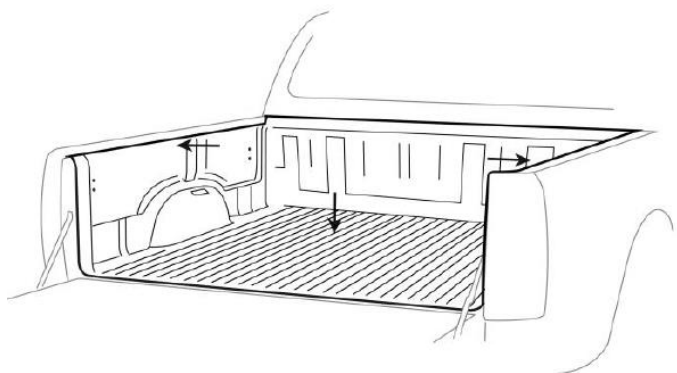
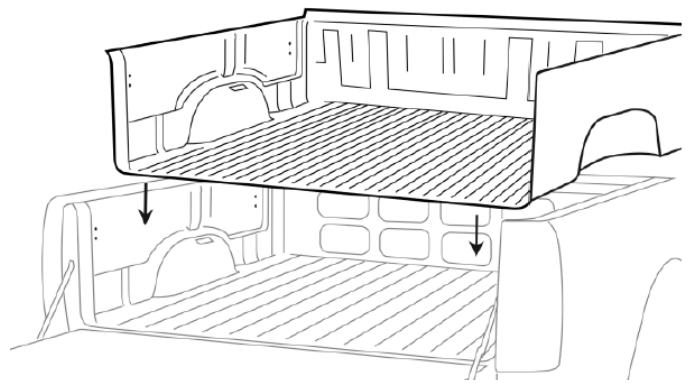
**INSTALLATION PROCEDURE CONTINUED:**

**BEDLINER INSTRUCTIONS:**

1. Locate and remove (4) cleats. **DON NOT DISCARD CLEATS**



2. Install the bedliner onto the truck cargo box. (A) drop bedliner straight down, making sure the front rail is in the correct position. (B) Push the side walls firmly to insert the top edges under the side of the truck bed.



3. Re-install (4) cleats removed from step 1 using replacement bolts and spacers:

- Front Cleats, use short 1" Spacers
- Rear Cleats, use longer 2" Spacers

