



Assembly, Installation, Operation and
Maintenance Instructions
Bedliner & Tailgate Cover Kit

**Part Number:
RLIK45**

**Install Time:
60 minutes**

WARNING: PLEASE READ INSTRUCTIONS CAREFULLY BEFORE STARTING THE INSTALLATION.

APPLICATION: *For use with various Chevrolet/GMC vehicles*

Parts List:

Description	Qty
1" Screws	8
Washers	4
Spacer-Washer	4
1" Self Drilling Screws	4

Tools Required

Phillips Screwdriver	
T15 Torx Bit	
Drill with Phillips Bit (Optional) *Optional step if the installer chooses in step 2	

Care and Maintenance: To protect the finish of this product, clean with soap and water, do not use abrasive substances.



Part Number: RLIK45

Missing Parts – Contact TrailFX at

1(866) 638-4870 or support@trailfx.com

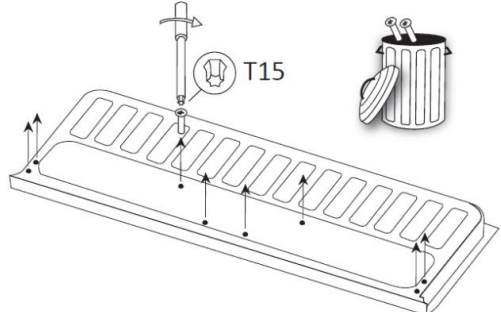
Any required parts will be shipped to you directly – DO NOT return whole kit to store!

INSTALLATION PROCEDURE:

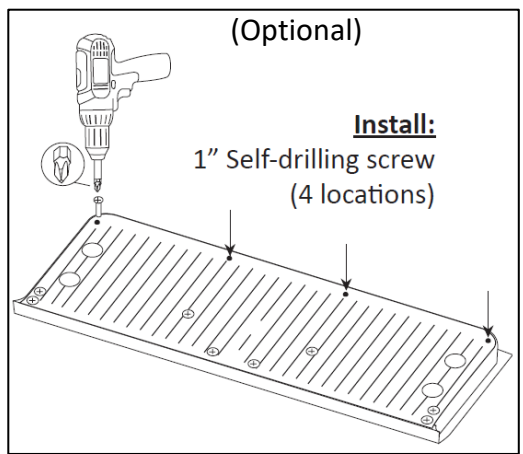
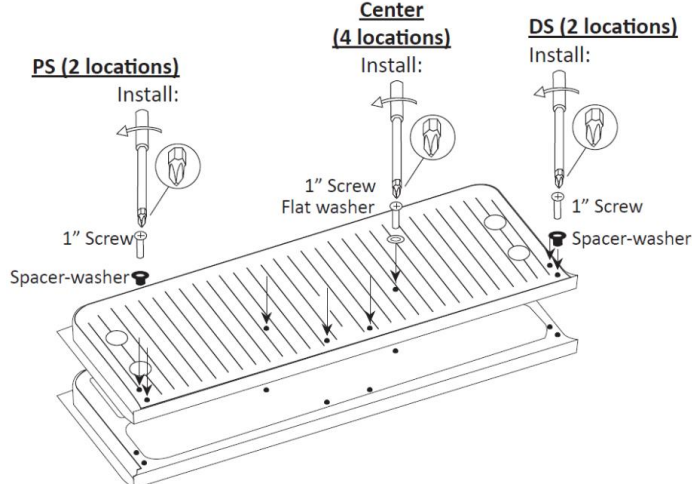
- 1. PLEASE READ INSTRUCTIONS CAREFULLY BEFORE STARTING THE INSTALLATION. One person can perform the installation, but we recommend a two-person installation
- 2. Vehicle Preparation: Thoroughly wash and dry the cargo box and surrounding area.

TAILGATE INSTRUCTIONS:

- 1. Remove the OEM screws with Torx screwdriver (T15) and discard.

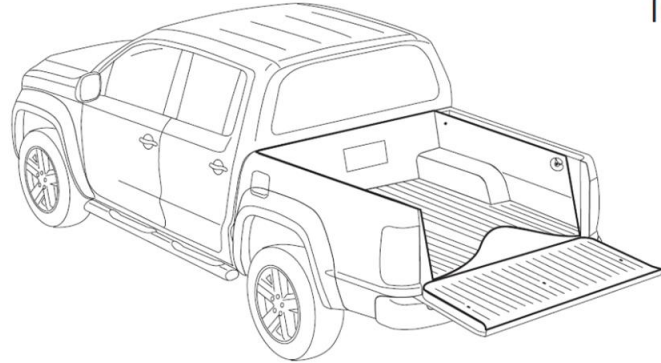


- 2. Using image as reference, use (4) 1" screws and (4) spacer-washers on the driver and passenger side pre-drilled holes. Use (4) 1" screws and (4) flat washers in the center holes. (OPTIONAL) Using Drill and (4) 1" self-drilling screws, install at four locations from image.



BEDLINER INSTRUCTIONS:

- 1. Insert the bedliner drivers side wall under the truck bed rail.
- 2. Lift the center of the bedliner floor in order to insert the passenger side wall under the bed rail.



Insert rear top end under rail cap

