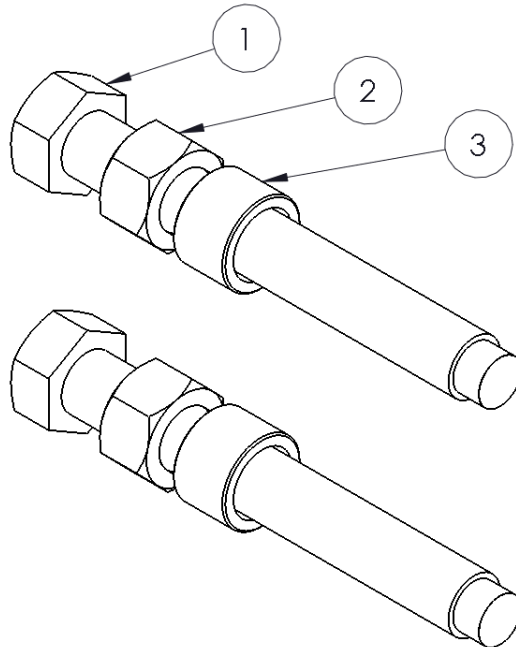




**Dealer / Installer:** Provide a copy of these Instructions to the end user of this product. These Instructions provide important operating and safety information for proper usage of this product. Demonstrate the proper use of the product with the end user. Have the end user demonstrate that they understand the proper use of the product.

**End User:** Read and follow all instructions included in this manual. Ask your Dealer / Installer for assistance if you do not understand the proper use of the product. Never remove any decals from the product.

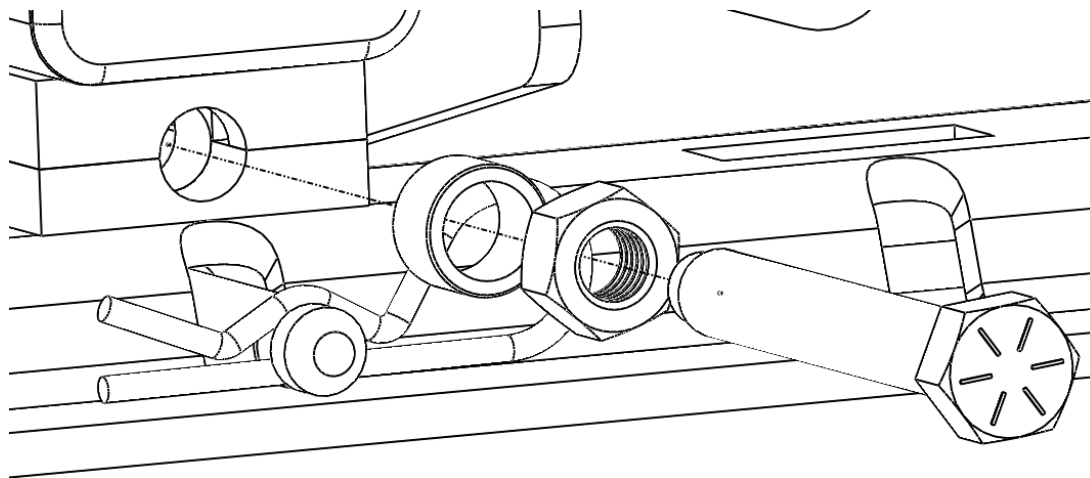
ITEM NO.	Description	QTY
1	BOLT, HEX, 1/2-13 X 4", GR8	2
2	NUT, HEX 1/2-13 UNC, GR5	2
3	BUSHING, 3/4" OD X 9/16" ID X 1/2"	2



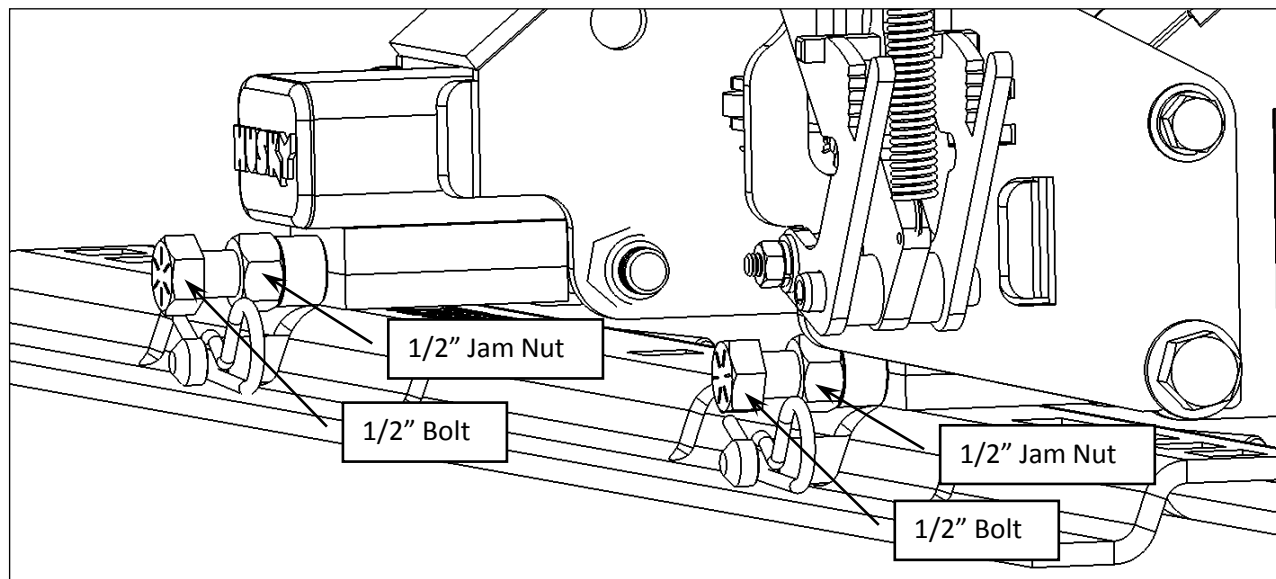
**TOOLS NEEDED**

(2) 3/4" Wrenches

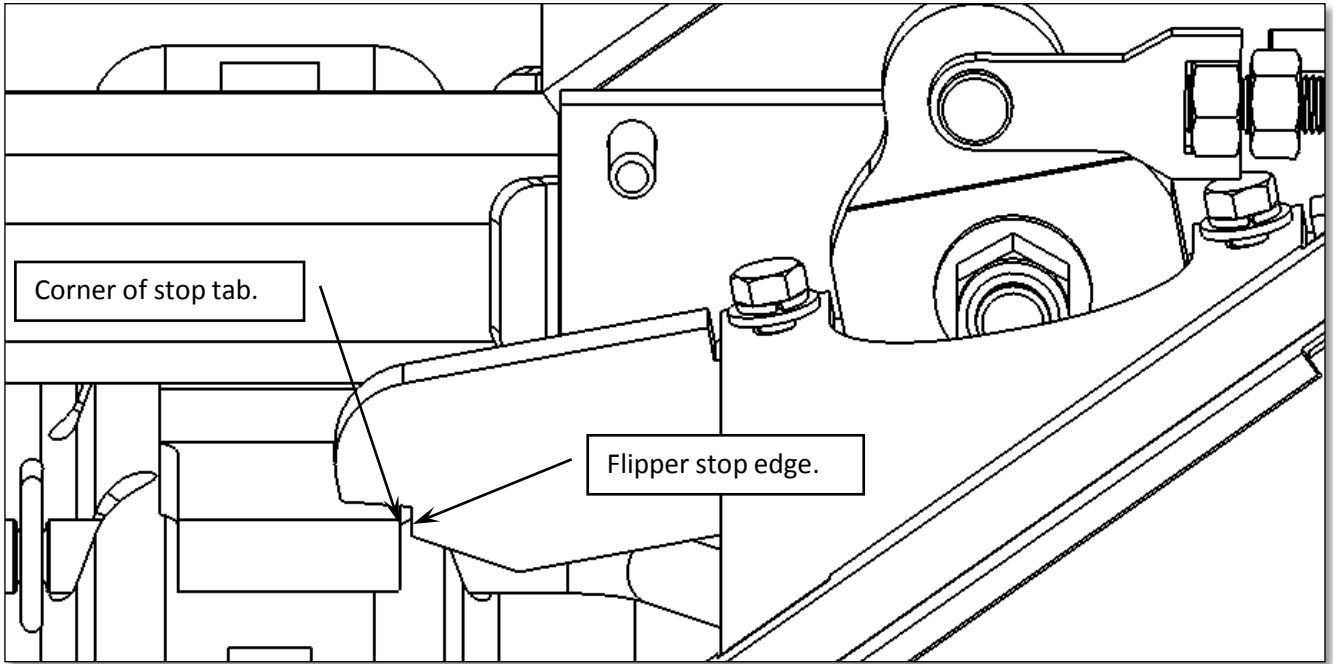
1. Remove existing 1/2 bolts, nuts and bushings on the driver side and the passenger side and discard.
2. Push the 16K Husky-10 system forward until it stops moving.
3. Thread a bolt and nut together, run nut all the way to the head of the bolt, insert bolt through bushing..
4. Thread the bolt into the hole at the forward end of the rail as shown below.
5. Turn the bolt in until it stops and then do steps 3 and 4 for the other side.



The Fore and Aft spacing bolts are used to reduce the amount of fore and aft “free travel” the unit has during sudden speed reduction, stopping and taking off from a dead stop. You can reduce the amount of travel fore and aft by loosening the 1/2” jam nuts on the driver side and passenger side and the turn the 1/2” hex bolts clockwise 1/8-1/4 of a turn equally to both sides. You must ensure that the pivot plate and flippers can still fully rotate from the driving position to the maneuver position without binding. Once this is done tighten the 1/2” jam nuts to secure the 1/2” bolts in place.



Loosen the 1/2” jam nuts and turn the 1/2” hex bolts 1/8-1/4 clockwise to reduce fore and aft movement.



The flipper stop edge must not come in contact with the corner of stop tab during rotation.