



INSTALLATION GUIDE

PART NUMBER: 5650
REAR ANTI-SWAY BAR
GM TAHOE / YUKON 2 DOOR 4WD | 1995-1999

300 W. PONTIAC WAY. CLOVIS, CA 93612
PHONE: 800-445-3767 | EMAIL: INFO@BELLTECH.COM

THANK YOU

Thank you for choosing our high quality Belltech product. We have spent a great deal of time developing our line of products so that you will receive maximum performance with minimal difficulty during installation. Soon your vehicle will be on the road looking and feeling much improved.

Please take a moment to read all instructions and warnings prior to installation of your new Belltech product and before operating your vehicle. If you have any questions or concerns regarding any step in the installation process, please do not hesitate to call or email our customer support specialists who are trained to help you through any portion of this process.

Before You Begin:

It is of the utmost importance that you confirm all the components listed on the parts list are in the kit. You can find this list located on the last page(s) of your instructions. Do not begin installation if any part is missing. Instead, please call our Belltech customer service specialists.

Belltech Customer Support:

Phone: 1-800-445-3767

Email: info@belltech.com

Safety Information:

Warning: Do not work under a vehicle supported only by a jack. Place support stands securely under the vehicle in the manufacturer's specified locations unless otherwise instructed.

Proper use of safety equipment and eye/face/hand protection is necessary when performing any of the following instructions.

We strive for an exceptional experience for all our valued customers. If for any reason you need assistance with your Belltech products, please do not return the product to the store you purchased from, but rather call our dedicated customer service experts, from 7am to 5pm PST.

We recommend that a qualified mechanic, in a properly equipped facility, perform this installation.

It is very helpful to have an assistant available during installation.

Before Driving Your Vehicle:

It is important to double check all brake hoses, cables, and other components to be sure there is no interference. You must also check for wheel/tire to chassis/body interference. If any issues are found, review your installation instructions to be sure no steps were missed, and any problems are corrected.

Make sure your vehicle is aligned immediately following installation.

Check all hardware and torque at intervals for the first 10, 100, and 1000 miles.

Some of Belltech's products are designed to improve your vehicle's off-road performance. Leveling/lifting your vehicle may result in an altered center of gravity. It is crucial to use extreme care when operating your vehicle to prevent rollover and/or loss of control.

Any changes in your vehicle's suspension may result in transformed handleability. Please test-drive your vehicle in a remote location so you can become accustomed to the revised driving characteristics.

Perform headlight check and adjustment.

Failure to drive any modified vehicle in a safe manner may result in harm or death.

Never operate your modified vehicle under the influence of drugs, alcohol, or lack of adequate sleep.

Always wear your seatbelt.



DIFFICULTY:



INSTALLATION TIME: 1 Hour

RECOMMENDED TOOLS:

- Properly rated floor jack
- Support stands
- Wheel chocks
- Metric and standard socket wrench set
- Metric and standard wrench set
- Drill with drill bit set
- Safety glasses
- Torque wrench rated up to 150 ft lbs.

JACKING, SUPPORTING, AND PREPARING THE VEHICLE

1. Park your vehicle on a smooth, level, concrete, or seasoned asphalt surface.
2. Block the front wheels of the vehicle using wheel chocks. Make sure the vehicle's transmission is in "PARK" (automatic) or first gear (manual).
3. Activate the parking brake.
4. Loosen, but do not remove, the rear wheel lug nuts.
5. Lift the rear of the vehicle off the ground using a properly rated floor jack. Lift the vehicle so the rear tires are approximately 6-8 inches off the ground.
6. Place support stands rated for the vehicle's weight. The stands must be positioned in the factory specified locations. (Refer to the owner's manual). Prior to lowering the vehicle onto stands, make sure the support stands will contact the chassis. It is very important that the vehicle is properly supported to prevent any harm to oneself or to the vehicle.
7. Lower the vehicle slowly onto the stands.
8. Remove the rear wheels.



Technician reminder:

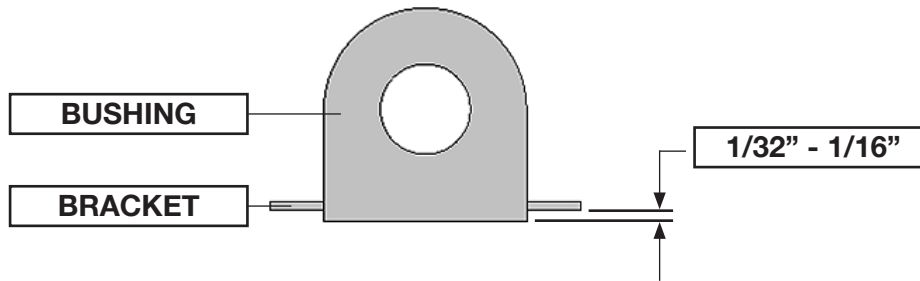
Never work under a vehicle supported only by a jack. It is necessary to place support stands securely under the vehicle in the manufacturer's specified locations unless otherwise instructed.

BELLTECH ANTI-SWAY BAR INSTALLTION

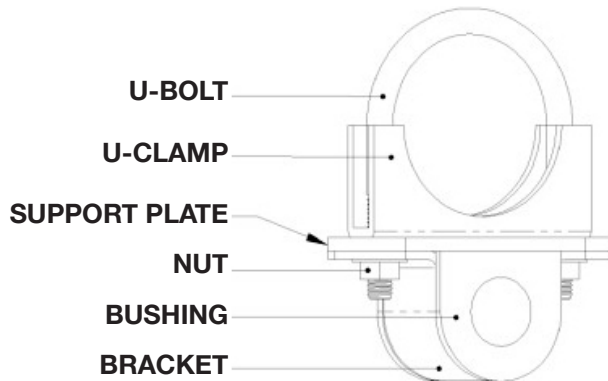
9. If the vehicle is equipped with a sway bar, detach the end links from the frame. Note the position of the sway bar on the rear axle to help with the installation of the Belltech anti-sway bar. Remove the pivot bushing brackets and clamps to detach the sway bar from the vehicle.
10. Thoroughly lubricate the inside of the supplied pivot bushings using the grease packet included with the kit.
11. Place the bushings on both sides of the Belltech sway bar, centered on the first set of bends. Once located, rotate the bushings slightly to evenly spread the lubricant. Place the bushing brackets over the bushings.



12. Ensure there is 1/32" to 1/16" of the bushing is showing after the bracket is seated. If the bushing is showing more than 1/16", use a sander or a sheet of coarse grit sandpaper to shave it down to the proper height.

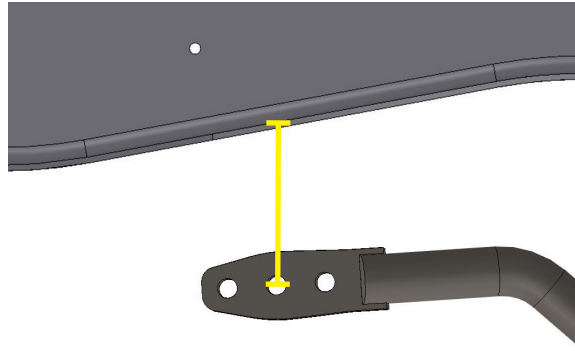


13. Carefully bend the hydraulic line away from the axle and place the U-bolts over the axle tube and under the brake line, ensuring the brake line is not clamped underneath. Place the U-clamp on the U-bolt followed by the support plate. Mount the sway bar and bushing bracket on the U-clamp. Hand tighten one of the supplied nuts on the U-bolt and leave one side off for now. Ensure the sway bar is positioned below the axle.



BELLTECH ANTI-SWAY BAR INSTALLTION CONTINUED

- Center the sway bar left to the right and front to rear. Position the U-bolts and clamps to the widest spacing possible, inboard of the lower shock mounts. This will prevent the sway bar from shifting left or right while cornering. Use a floor jack to raise the rear axle until the jack stands are just beginning to unload. Check for vehicle stability. Raise the ends of the sway bar until the arms are parallel with the frame rails. Mark the location on the bottom of the frame directly over the end link bolt hole.



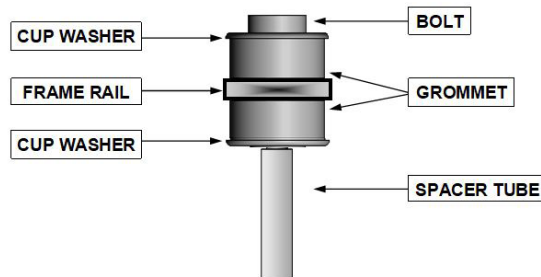
- Lower the rear axle and check for vehicle stability. Drill through the bottom flange of the frame rail at the marked location with a 9/16" drill bit.



Technician warning:

Before drilling, check for electrical, fuel, and brake system components on the inside of the frame rail being drilled. Relocate the components as necessary so they are not damaged during the frame modification.

- To assemble the end link through the frame rail, start with the 5-1/2" bolt, a cup washer, and a grommet. Feed the top of the end link through the frame then add a grommet, a cup washer, and the 4" spacer tube below the frame rail as shown in the diagram below.

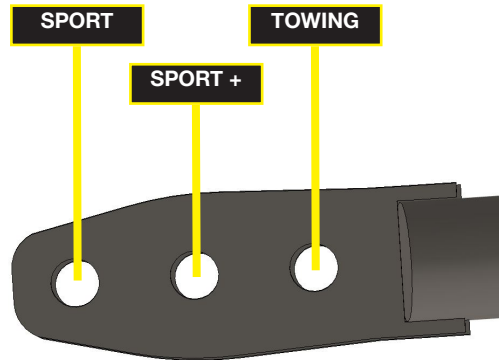


- The lower end link is assembled with a 3/8"-24 jam nut and the 3/8"-24 female spherical bearing. Ensure the jam nut is tightened and secure the to spherical bearing.

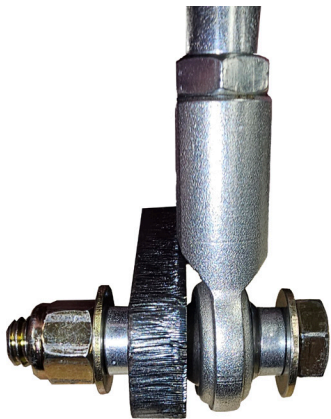


BELLTECH ANTI-SWAY BAR INSTALLTION CONTINUED

19. Please choose a sway bar setting for your vehicle: SPORT, SPORT PLUS, OR TOWING (SPORT is softer and TOWING is firmer).



20. Attach the lower end link to the inside of the sway bar using the 3/8"-16 x 2" bolt, 1/4" spacers, 3/8" flat washers, and 3/8"-16 Nyloc nut. Reference the image below for assembly. Torque to 44 ft lbs.



21. Tighten the upper end link bolt to the point where the spacer tube can still be forced to rotate on the bolt by hand but the rubber grommets should not be able to rotate by hand.



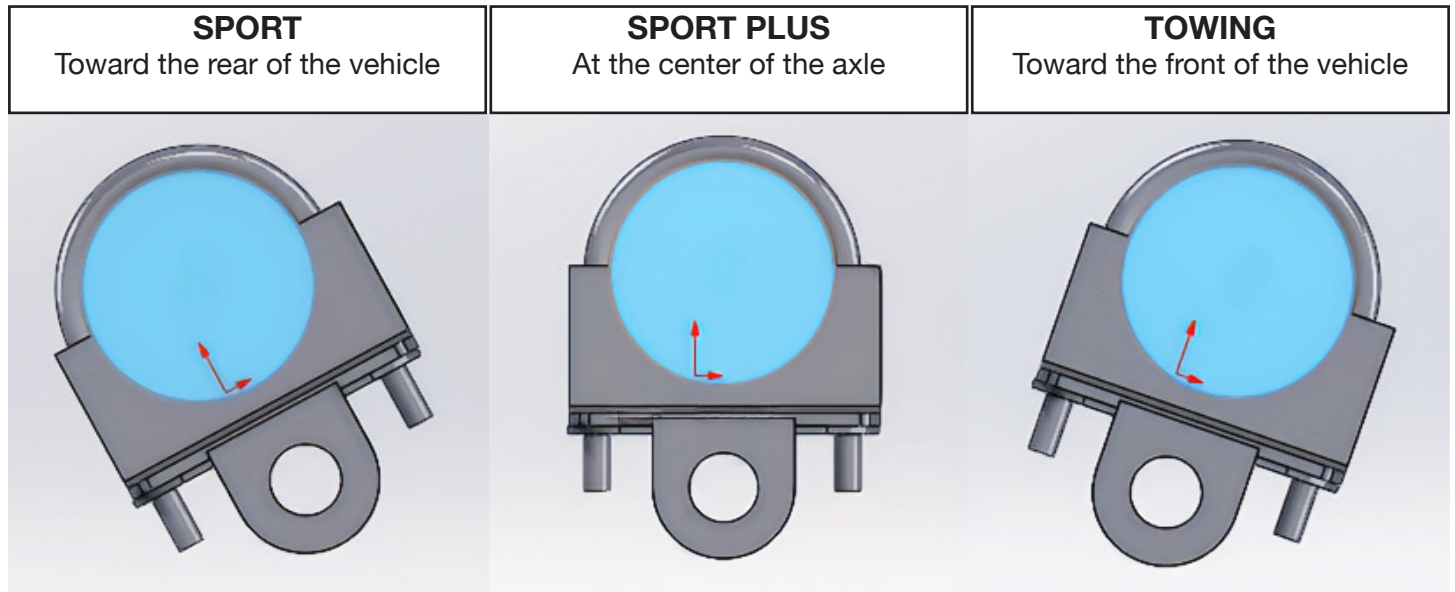
Technician note:

The end links must be tightened before the U-bolts and clamps.

It may be necessary to mount the wheels and lower the vehicle to the ground to properly tighten the end link hardware and torque the U-bolts and clamps in the next step.

BELLTECH ANTI-SWAY BAR INSTALLTION CONTINUED

22. The axle U-bolt and U-clamp must be tightened at an angle based on the selected setting of the sway bar: SPORT, SPORTS PLUS, OR TOWING. The images below show the necessary angles. Torque the U-bolt nuts to 30 ft lbs.



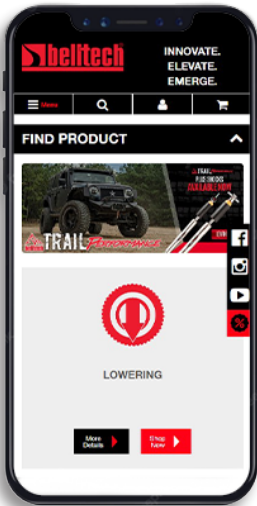
23. Check the brake hoses and other components for interference. Adjust as necessary.

FINALIZING THE INSTALLATION

24. Mount the wheels and tighten the lug nuts
25. Lift the vehicle and remove the support stands.
26. Carefully lower the vehicle onto flat ground.
27. Torque the lug nuts to 125 ft lbs.
28. Check that all components and fasteners have been properly installed and torqued.
29. Read and perform all tasks in the “Before Driving Your Vehicle” section of page 1 of your instructions.

THANK YOU FOR CHOOSING BELLTECH.

You are now a part of the Belltech family and we are eager to catch a glimpse of your newly modified vehicle. Give us a shout out and let us know how much you love our product. Don't forget, we offer other Belltech related merchandise for you and your vehicle on our website www.belltech.com



[belltechsuspension](https://www.facebook.com/belltechsuspension)



[Belltech Suspension](https://www.youtube.com/BelltechSuspension)



[@belltechsuspension](https://www.instagram.com/belltechsuspension)

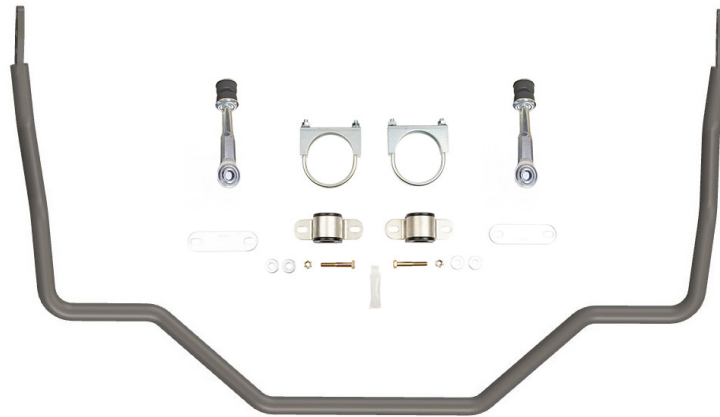
If you have any questions, concerns, or warranty related issues regarding your Belltech product, please call or email our experienced customer service specialists.

Belltech Customer Support:

Phone: 1-800-445-3767

Email: info@belltech.com

KIT CONTENTS



5650		
Part number	Description	Qty
5500-300	1" REAR ANTI-SWAY BAR	1
5650-777	HARDWARE KIT	1

5650-777		
Part number	Description	Qty
113075	1" PIVOT BUSHING	2
112258	3" U-CLAMP	2
110255	3/8"-16 NYLOC NUT	2
110625	3/8" FLAT WASHER	4
114038-95	BUSHING SUPPORT PLATE	2
114026-95	PIVOT BUSHING BRACKET	2
55000-10	WHITE LITHIUM GREASE	1
113000	END LINK GROMMET	4
112502	CUP WASHER	4
112242	3/8"-24 FEMALE SPHERICAL BEARING	2
112436-95	4" SPACER TUBE	2
112412-95	1/4" SPACER TUBE	4
112316	3/8"-24 JAM NUT	2
112166	3/8"-24 X 5-1/2" BOLT	2
112102	3/8"-16 X 2" BOLT	2