



INSTALLATION GUIDE

PART NUMBER: 5575
REAR ANTI-SWAY BAR
FORD BRONCO 4WD | 2021+

300 W. PONTIAC WAY. CLOVIS, CA 93612
PHONE: 800-445-3767 | EMAIL: INFO@BELLTECH.COM

THANK YOU

Thank you for choosing our high quality Belltech product. We have spent a great deal of time developing our line of products so that you will receive maximum performance with minimal difficulty during installation. Soon your vehicle will be on the road looking and feeling much improved.

Please take a moment to read all instructions and warnings prior to installation of your new Belltech product and before operating your vehicle. If you have any questions or concerns regarding any step in the installation process, please do not hesitate to call or email our customer support specialists who are trained to help you through any portion of this process.

Before You Begin:

It is of the utmost importance that you confirm all of the components listed on the parts list is in the kit. You can find this list located on the last page(s) of your instructions. Do not begin installation if any part is missing. Instead, please call our Belltech customer service specialists.

Belltech Customer Support:

Phone: 1-800-445-3767

Email: info@belltech.com

Safety Information:

Warning: Do not work under a vehicle supported only by a jack. Place support stands securely under the vehicle in the manufacturer's specified locations unless otherwise instructed.

Proper use of safety equipment and eye/face/hand protection is absolutely necessary when performing any of the following instructions.

We strive for an exceptional experience for all our valued customers. If for any reason you need assistance with your Belltech products, please do not return the product to the store you purchased from, but rather call our dedicated customer service experts, from 7am to 5pm PST.

We recommend that a qualified mechanic, at a properly equipped facility, perform this installation.

It is very helpful to have an assistant available during installation.

Before Driving Your Vehicle:

It is important to double check all brake hoses, cables, and other components to be sure there is no interference. You must also check for wheel/tire to chassis/body interference. If any issues are found, review your installation instructions to be sure no steps were missed and any problems are corrected.

Make sure your vehicle is aligned immediately following installation.

Check all hardware and re-torque at intervals for the first 10, 100, and 1000 miles.

Some of Belltech's products are designed to improve your vehicle's off-road performance. Leveling/lifting your vehicle may result in an altered center of gravity. It is crucial to use extreme care when operating your vehicle to prevent rollover and/or loss of control.

Any changes in your vehicle's suspension may result in transformed handleability. Please test-drive your vehicle in a remote location so you can become accustomed to the revised driving characteristics.

Perform headlight check and adjustment.

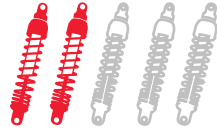
Failure to drive any modified vehicle in a safe manner may result in harm or death.

Never operate your modified vehicle under the influence of drugs, alcohol, or lack of adequate sleep.

Always wear your seatbelt.



DIFFICULTY:



INSTALLATION TIME: 1-2 Hours

RECOMMENDED TOOLS:

- Properly rated floor jack
- Transmission jack
- Support stands
- Ratcheting socket wrench and socket set
- Combination wrench set



Installation Note:

It is suggested to begin this procedure with the vehicle fuel tank on low to reduce the weight needing to be supported on the transmission jack during installation.

JACKING, SUPPORTING, AND PREPARING THE VEHICLE

1. Park your vehicle on a smooth, level, concrete or seasoned asphalt surface.
2. Block the front wheels of the vehicle using wheel chocks. Make sure the vehicle's transmission is in "PARK" (automatic) or 1st gear (manual).
3. Activate the parking brake.
4. Break loose, but do not spin the wheel lug nuts to ease in removal when the wheels are in the air.
5. Lift the rear of the vehicle off the ground using a properly rated floor jack. Lift the vehicle so the rear tires are approximately 6-8 inches off the ground.
6. Place support stands rated for the vehicles weight. The stands should be positioned in the factory specified locations (Refer to owners manual). Prior to lowering the vehicle onto stands, make sure the support stands will contact the chassis. It is very important that the vehicle is properly supported to prevent any harm to ones self or to the vehicle.
7. Lower the vehicle slowly onto the stands.
8. Remove the rear wheels.



Technician reminder:

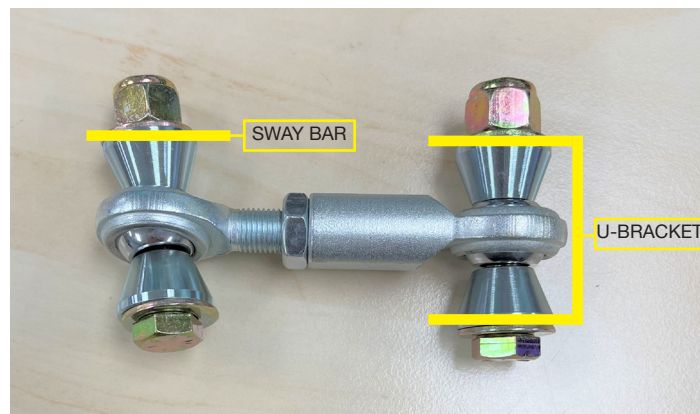
Never work under a vehicle supported only by a jack. It is necessary to place support stands securely under the vehicle in the manufacturer's specified locations unless otherwise instructed.

OEM ANTI-SWAY BAR REMOVAL ****IF EQUIPPED****

9. Remove the two bolts securing the anti sway bar bushing brackets on either side of the rear axle and let the OEM anti sway bar hang.
10. Remove the nuts securing the OEM anti sway bar to the end links.
11. Remove and guide the OEM anti sway bar up and over the drive line.
12. Lay it on the ground to be used as a reference for mounting the Belltech bushings and brackets to the Belltech anti sway bar. Pay close attention to the orientation of the bushings and mount them on the outside of the locator rings.

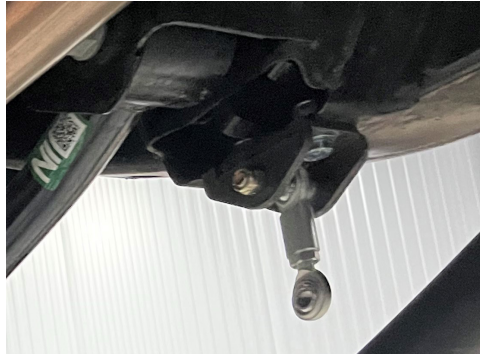
BELLTECH END LINK ASSEMBLY

13. Assemble the adjustable Belltech endlinks in the same order as shown in the images below.

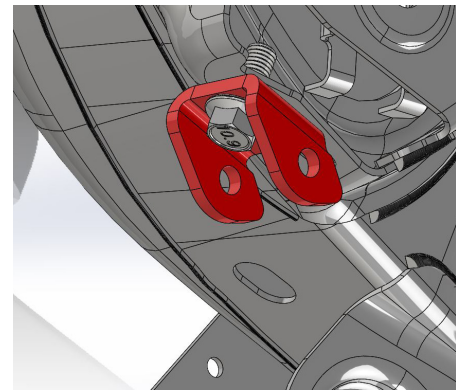
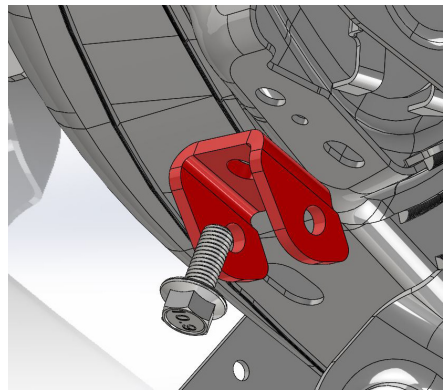
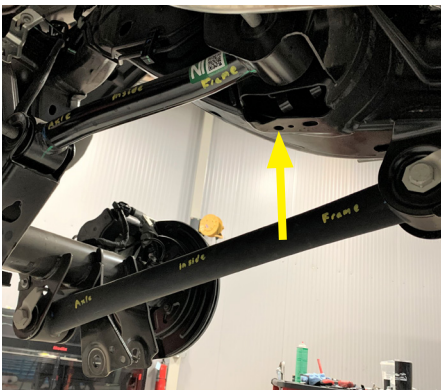


BELLTECH ANTI-SWAY BAR INSTALLATION

14. Attach your new Belltech adjustable end links to the Belltech U-brackets as shown in the end link assembly guide on page 3.



15. Start on the driver's side of the vehicle. Install the Belltech U-bracket onto the empty mount above the lower control using the provided hardware. Torque to 59 lb.ft

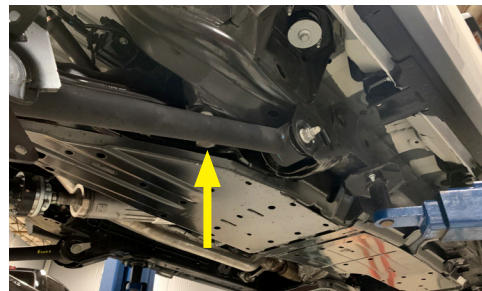


16. On the passenger's side of the vehicle, remove the fuel tank skid plate to observe the way your gas tank is held into place. If your gas tank is held in place by a strap, use a transmission jack to support the tank before removing the bolt that holds the strap in place above the lower control arm.

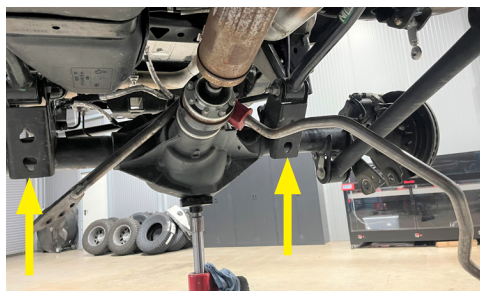


Installation Note:

It is suggested to install the sway bar with the fuel tank on low to reduce the weight being supported on the transmission jack during this step.

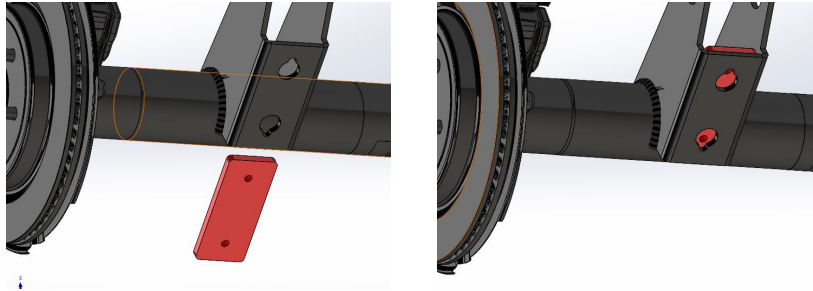


17. Use the Belltech provided bolt to slide through the Belltech U-bracket and gas tank strap. Tighten the bolt to 59 lb.ft
18. Grease the bushings using the supplied grease pack to help slide on with ease.
19. Guide the sway bar over the drive line. Place the bar over the driveline by lining up the bushings with the existing brackets on the axle where they will be mounted.

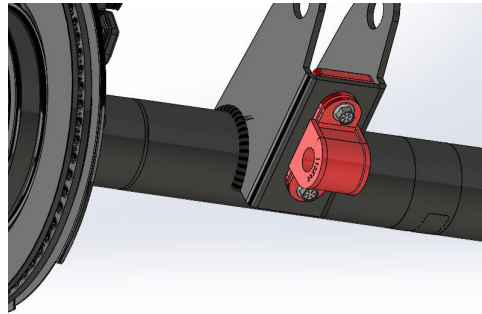


BELLTECH ANTI-SWAY BAR INSTALLATION CONTINUED

20. Install the Belltech threaded support plates between the axle and existing brackets.



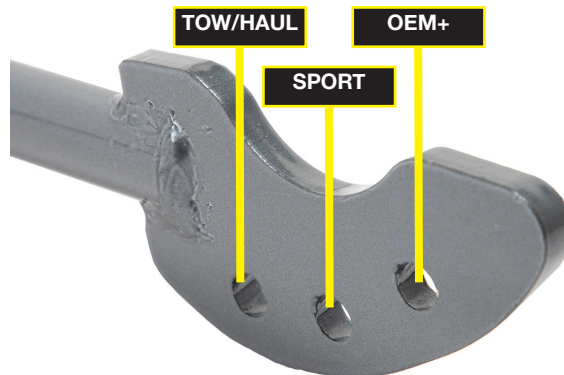
21. Slide the bushing support plates in front of the existing brackets before bolting the pivot bushing bracket and bar to the axle. Torque to 66 lb.ft



22. Swing the bar's arms upward and connect the bar ends to the endlinks using the supplied hardware as shown below. Torque to 45 lb.ft



23. Please choose a sway bar setting for your vehicle: OEM+, SPORT, TOW/HAUL (OEM+ is softer and TOW/HAUL is stiffer)

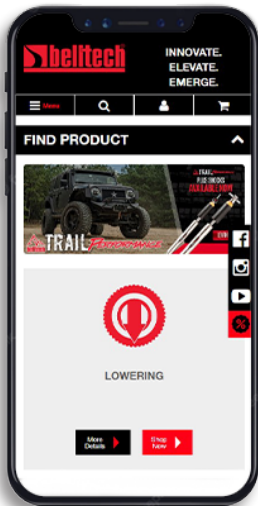


FINALIZING THE INSTALLATION

24. Re-install the wheels and tighten the lug nuts.
25. Lift the vehicle and remove the support stands.
26. Carefully lower the vehicle onto the flat ground.
27. Torque the lug nuts to manufacturer's specifications.
28. Check that all components and fasteners have been properly installed and torqued.
29. Re-read and perform all tasks in the "Before Driving Your Vehicle" section of page 1 of your instructions.

THANK YOU FOR CHOOSING BELLTECH.

You are now a part of the Belltech family and we are eager to catch a glimpse of your newly modified vehicle. Give us a shout out and let us know how much you love our product. Don't forget, we offer other Belltech related merchandise for you and your vehicle on our website www.belltech.com



belltechsuspension



Belltech Suspension



@belltechsuspension

If you have any questions, concerns, or warranty related issues regarding your Belltech product, please call or email our experienced customer service specialists.

Belltech Customer Support:

Phone: 1-800-445-3767

Email: info@belltech.com

KIT CONTENTS



Anti-Sway Bar Kit		
Part number	Description	Qty
5575-300	Rear Anti-Sway Bar	1
5575-777	Hardware Kit	1

Hardware Kit (5575-777)		
Part number	Description	Qty
113205	Pivot Bushing	2
5575-004-991	Threaded Support Plate	2
112142	Bolt Ser. Flanged M10x1.5	7
110280	Nut Nylock Flanged M10x1.5	3
115003-95	Zinc Plated Support Bushing	2
112242	Spherical Bearing 3/8" Female	2
112316	Jam Nut 3/8"	2
112108	Bolt 3/8 16x2.5	4
110625	Flat Washer 3/8"	8
110255	Nylon Insert Lock Nut 3/8"	4
112244	Spherical Bearing 3/8" Male	2
5575-003-991	U-Bracket	2
57402-045-954	Bearing Spacer	8
112089	Low-Profile Socket M10x1.5	3
110282	Screw M12x1.75	1
114032-95	Zinc-Plated Bushing Bracket	2
55000-10	Grease Pack	1