



# INSTALLATION GUIDE

**PART NUMBER: 5523**  
**REAR ANTI-SWAY BAR**  
**GM S-SERIES BLAZER / JIMMY 2-DOOR**  
**2WD / 4WD | 1995-2005**

**\*\*FOR VEHICLES EQUIPPED WITH A FACTORY REAR SWAY BAR ONLY\*\***

300 W. PONTIAC WAY CLOVIS, CA 93612  
PHONE: 800-445-3767 | EMAIL: [INFO@BELLTECH.COM](mailto:INFO@BELLTECH.COM)

# THANK YOU

Thank you for choosing our high quality Belltech product. We have spent a great deal of time developing our line of products so that you will receive maximum performance with minimal difficulty during installation. Soon your vehicle will be on the road looking and feeling much improved.

**Please take a moment to read all instructions and warnings prior to installation of your new Belltech product and before operating your vehicle. If you have any questions or concerns regarding any step in the installation process, please do not hesitate to call or email our customer support specialists who are trained to help you through any portion of this process.**

## Before You Begin:

**It is of the utmost importance that you confirm all the components listed on the parts list are in the kit. You can find this list located on the last page(s) of your instructions. Do not begin installation if any part is missing. Instead, please call our Belltech customer service specialists.**

### Belltech Customer Support:

Phone: 1-800-445-3767

Email: [info@belltech.com](mailto:info@belltech.com)

## Safety Information:

**Warning:** Do not work under a vehicle supported only by a jack. Place support stands securely under the vehicle in the manufacturer's specified locations unless otherwise instructed.

Proper use of safety equipment and eye/face/hand protection is necessary when performing any of the following instructions.

We strive for an exceptional experience for all our valued customers. If for any reason you need assistance with your Belltech products, please do not return the product to the store you purchased from, but rather call our dedicated customer service experts, from 7am to 5pm PST.

We recommend that a qualified mechanic, in a properly equipped facility, perform this installation.

It is very helpful to have an assistant available during installation.

## Before Driving Your Vehicle:

It is important to double check all brake hoses, cables, and other components to be sure there is no interference. You must also check for wheel/tire to chassis/body interference. If any issues are found, review your installation instructions to be sure no steps were missed, and any problems are corrected.

Make sure your vehicle is aligned immediately following installation.

Check all hardware and torque at intervals for the first 10, 100, and 1000 miles.

Some of Belltech's products are designed to improve your vehicle's off-road performance. Leveling/lifting your vehicle may result in an altered center of gravity. It is crucial to use extreme care when operating your vehicle to prevent rollover and/or loss of control.

Any changes in your vehicle's suspension may result in transformed handleability. Please test-drive your vehicle in a remote location so you can become accustomed to the revised driving characteristics.

Perform headlight check and adjustment.

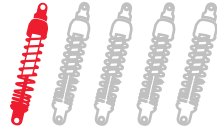
Failure to drive any modified vehicle in a safe manner may result in harm or death.

Never operate your modified vehicle under the influence of drugs, alcohol, or lack of adequate sleep.

Always wear your seatbelt.



**DIFFICULTY:**



**INSTALLATION TIME:** 1-2 Hours

## RECOMMENDED TOOLS:

- Properly rated floor jack
- Support stands
- Wheel chocks
- Metric socket wrench set
- Metric wrench set
- Safety glasses
- Torque wrench rated up to 100 ft lbs.

## JACKING, SUPPORTING, AND PREPARING THE VEHICLE

1. Park your vehicle on a smooth, level, concrete, or seasoned asphalt surface.
2. Block the front wheels of the vehicle using wheel chocks. Make sure the vehicle's transmission is in "PARK" (automatic) or first gear (manual).
3. Activate the parking brake.
4. Lift the rear of the vehicle off the ground using a properly rated floor jack. Lift the vehicle so the rear tires are approximately 6-8 inches off the ground.
5. Place support stands rated for the vehicle's weight. The stands must be positioned in the factory specified locations. (Refer to the owner's manual). Prior to lowering the vehicle onto stands, make sure the support stands will contact the chassis. It is very important that the vehicle is properly supported to prevent any harm to oneself or to the vehicle.
6. Lower the vehicle slowly onto the stands.



### Technician reminder:

Never work under a vehicle supported only by a jack. It is necessary to place support stands securely under the vehicle in the manufacturer's specified locations unless otherwise instructed.

## OEM SWAY BAR REMOVAL

7. Remove the 18mm lower end link nuts to detach the sway bar from the end links.



8. Remove the four 18mm U-bolt nuts at the axle clamp to detach the clamps and sway bar assembly from the vehicle.



9. Guide the sway bar up and over the driveshaft to remove it from the vehicle.



10. Remove the retaining clips from U-bolts holding the axle clamp on the axle and remove axle clamp assembly from the vehicle.



# BELLTECH ANTI-SWAY BAR INSTALLATION



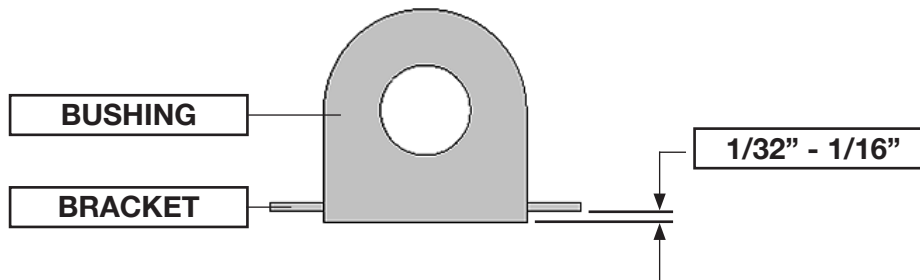
## Technician note:

The new Belltech sway bar will use the original end links and the axle clamp. Thoroughly clean the mounting areas before installation.

11. Thoroughly lubricate the inside of the supplied pivot bushings using the grease packet included with the kit.
12. Place the bushings on both sides of the Belltech sway bar, in the same position as the original sway bar. Once located, rotate the bushings slightly to evenly spread the lubricant. Place the bushing brackets over the bushings.

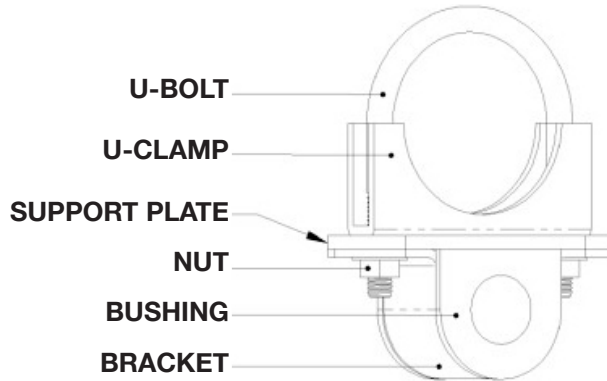


13. Ensure there is  $1/32''$  to  $1/16''$  of the bushing is showing after the bracket is seated. If the bushing is showing more than  $1/16''$ , use a sander or a sheet of coarse grit sandpaper to shave it down to the proper height.



## BELLTECH ANTI-SWAY BAR INSTALLATION CONTINUED

14. Ensure the hydraulic line is bent away from the axle. Place the new U-bolts over the axle tube and under the brake line, ensuring the brake line is not clamped underneath. Place the original U-clamp on the new U-bolt. Position the Belltech sway bar up and over the driveshaft then mount the sway bar and bushing bracket on the U-clamp.



15. The sway bar is positioned vertically behind the axle and the original U-clamp has a small cut out to align it on the axle as shown in the image below. Hand tighten the supplied nuts on the U-bolt for now.



16. Attach the sway bar to the end links using the original hardware; torque to 50 ft lbs.



17. Adjust the position of the sway bar so it is vertically behind the axle. Torque the pivot bushing U-bolts to 44 ft lbs.

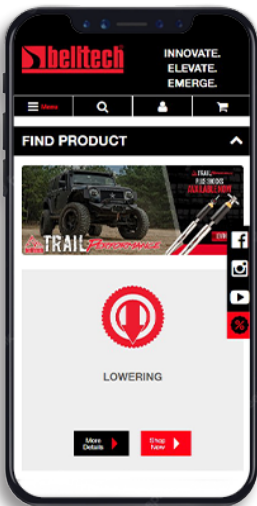


# FINALIZING THE INSTALLATION

18. Lift the vehicle and remove the support stands.
19. Carefully lower the vehicle onto flat ground.
20. Check that all components and fasteners have been properly installed and torqued.
21. Read and perform all tasks in the “Before Driving Your Vehicle” section of page 1 of your instructions.

## THANK YOU FOR CHOOSING BELLTECH.

You are now a part of the Belltech family and we are eager to catch a glimpse of your newly modified vehicle. Give us a shout out and let us know how much you love our product. Don't forget, we offer other Belltech related merchandise for you and your vehicle on our website [www.belltech.com](http://www.belltech.com)



belltechsuspension



Belltech Suspension



@belltechsuspension

If you have any questions, concerns, or warranty related issues regarding your Belltech product, please call or email our experienced customer service specialists.

### Belltech Customer Support:

Phone: 1-800-445-3767

Email: [info@belltech.com](mailto:info@belltech.com)

# KIT CONTENTS



SWAY BAR KIT		
Part number	Description	Qty
5523-300	1-1/8" REAR ANTI-SWAY BAR	1
5523-777	HARDWARE KIT	1

HARDWARE KIT		
Part number	Description	Qty
113085	1-1/8" PIVOT BUSHING	2
114038-95	BUSHING SUPPORT PLATE	2
114026-95	PIVOT BUSHING BRACKET	2
112266	2-3/4" U-BOLT WITH FLANGE NUTS	2
55000-10	WHITE LITHIUM GREASE	1