



INSTALLATION GUIDE

PART NUMBER: 5510
REAR ANTI-SWAY BAR
GM 2500HD / 3500HD DUALY 2WD / 4WD | 2001-2010

300 W. PONTIAC WAY CLOVIS, CA 93612
PHONE: 800-445-3767 | EMAIL: INFO@BELLTECH.COM

THANK YOU

Thank you for choosing our high quality Belltech product. We have spent a great deal of time developing our line of products so that you will receive maximum performance with minimal difficulty during installation. Soon your vehicle will be on the road looking and feeling much improved.

Please take a moment to read all instructions and warnings prior to installation of your new Belltech product and before operating your vehicle. If you have any questions or concerns regarding any step in the installation process, please do not hesitate to call or email our customer support specialists who are trained to help you through any portion of this process.

Before You Begin:

It is of the utmost importance that you confirm all the components listed on the parts list are in the kit. You can find this list located on the last page(s) of your instructions. Do not begin installation if any part is missing. Instead, please call our Belltech customer service specialists.

Belltech Customer Support:

Phone: 1-800-445-3767

Email: info@belltech.com

Safety Information:

Warning: Do not work under a vehicle supported only by a jack. Place support stands securely under the vehicle in the manufacturer's specified locations unless otherwise instructed.

Proper use of safety equipment and eye/face/hand protection is necessary when performing any of the following instructions.

We strive for an exceptional experience for all our valued customers. If for any reason you need assistance with your Belltech products, please do not return the product to the store you purchased from, but rather call our dedicated customer service experts, from 7am to 5pm PST.

We recommend that a qualified mechanic, in a properly equipped facility, perform this installation.

It is very helpful to have an assistant available during installation.

Before Driving Your Vehicle:

It is important to double check all brake hoses, cables, and other components to be sure there is no interference. You must also check for wheel/tire to chassis/body interference. If any issues are found, review your installation instructions to be sure no steps were missed, and any problems are corrected.

Make sure your vehicle is aligned immediately following installation.

Check all hardware and torque at intervals for the first 10, 100, and 1000 miles.

Some of Belltech's products are designed to improve your vehicle's off-road performance. Leveling/lifting your vehicle may result in an altered center of gravity. It is crucial to use extreme care when operating your vehicle to prevent rollover and/or loss of control.

Any changes in your vehicle's suspension may result in transformed handleability. Please test-drive your vehicle in a remote location so you can become accustomed to the revised driving characteristics.

Perform headlight check and adjustment.

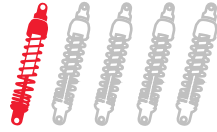
Failure to drive any modified vehicle in a safe manner may result in harm or death.

Never operate your modified vehicle under the influence of drugs, alcohol, or lack of adequate sleep.

Always wear your seatbelt.



DIFFICULTY:



INSTALLATION TIME: 1-2 Hours

RECOMMENDED TOOLS:

- Properly rated floor jack
- Support stands
- Wheel chocks
- Metric and standard socket wrench set
- Metric and standard wrench set
- Drill with drill bit set
- Safety glasses
- Mallet or hammer
- Torque wrench rated up to 150 ft lbs.

JACKING, SUPPORTING, AND PREPARING THE VEHICLE

1. Park your vehicle on a smooth, level, concrete, or seasoned asphalt surface.
2. Block the front wheels of the vehicle using wheel chocks. Make sure the vehicle's transmission is in "PARK" (automatic) or first gear (manual).
3. Activate the parking brake.
4. Loosen, but do not remove, the rear wheel lug nuts.
5. Lift the rear of the vehicle off the ground using a properly rated floor jack. Lift the vehicle so the rear tires are approximately 6-8 inches off the ground.
6. Place support stands rated for the vehicle's weight. The stands must be positioned in the factory specified locations. (Refer to the owner's manual). Prior to lowering the vehicle onto stands, make sure the support stands will contact the chassis. It is very important that the vehicle is properly supported to prevent any harm to oneself or to the vehicle.
7. Lower the vehicle slowly onto the stands.
8. Remove the rear wheels.



Technician reminder:

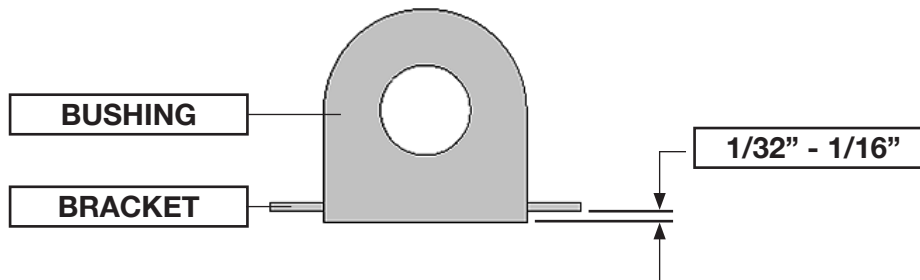
Never work under a vehicle supported only by a jack. It is necessary to place support stands securely under the vehicle in the manufacturer's specified locations unless otherwise instructed.

BELLTECH ANTI-SWAY BAR INSTALLATION

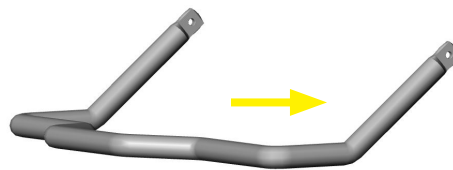
9. Thoroughly lubricate the inside of the supplied pivot bushings using the grease packet included with the kit.
10. Place the bushings on both sides of the Belltech sway bar, centered on the first set of bends. Once located, rotate the bushings slightly to evenly spread the lubricant. Place the bushing brackets over the bushings.



11. Ensure there is 1/32" to 1/16" of the bushing is showing after the bracket is seated. If the bushing is showing more than 1/16", use a sander or a sheet of coarse grit sandpaper to shave it down to the proper height.

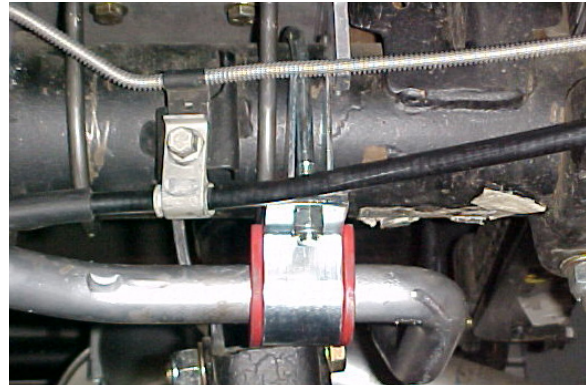
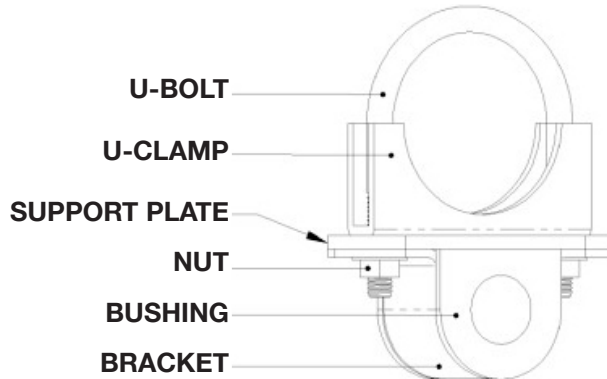


12. Position the Belltech sway bar under the axle with the bar ends pointed toward the front of the vehicle, angled up.



BELLTECH ANTI-SWAY BAR INSTALLATION CONTINUED

- Carefully bend the hydraulic line away from the axle and place the U-bolts between the lower shock mount brackets, over the axle tube, and under the brake line. Ensure the brake line is not clamped underneath. Place the U-clamp on the U-bolt followed by the support plate. Mount the sway bar and bushing bracket on the U-clamp. Hand tighten the supplied nuts on the U-bolt for now. Ensure the sway bar is positioned below the axle.



- Use a floor jack to lift axle up to ride height, this will ease the fastening of the end links to the bar and the frame rail. Ensure not to lift the vehicle off the jack stands.
- Attach the end links to the sway bar ends with two 3/8-16" x 2-1/2" bolts, four 3/8" washers, and two 3/8" stover lock nuts. Do not torque yet.

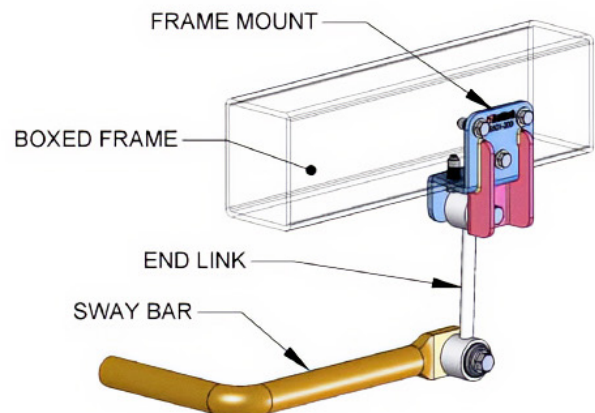
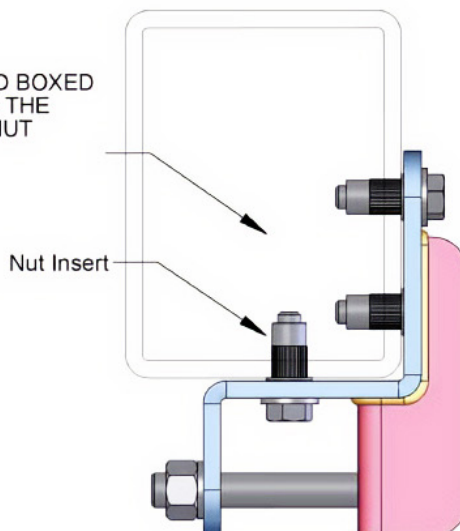


Technician note:

The end link brackets will be attached to the boxed frame as show in the diagram below.

Closed Boxed Frame or Hydro Formed Chassis

WITH THE CLOSED BOXED TYPE FRAME USE THE 1/4"-20 LOCKING NUT INSERTS



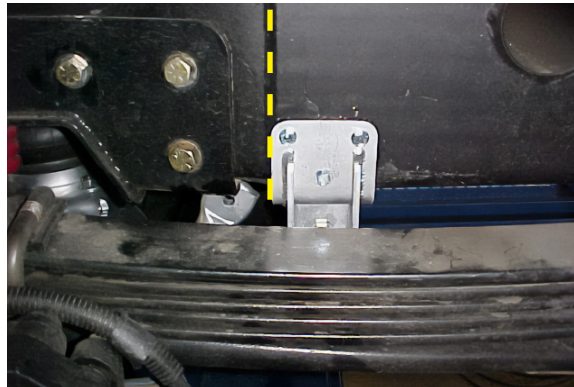
BELLTECH ANTI-SWAY BAR INSTALLATION CONTINUED

16. Use tape to attach 1/4" washers as shown in the image below.



17. Attach the upper end links to the brackets with two 3/8-16" x 2-1/2" bolts and two 3/8" stover lock nuts. Do not tighten.

18. Swing the sway bar up and position the end link bracket against the outside of the frame. Line up the edge of the end link bracket to the edge of the welded reinforcement section on the frame, the end links should go straight down from the frame. Use a vice grip or clamp to hold the bracket in position and use a marking pen to mark the position of the bracket holes onto the frame. Once marked, detach the bolts and end links from the brackets.



19. Use a punch to mark the center holes that will be drilled at the top and side of the frame.



BELLTECH ANTI-SWAY BAR INSTALLATION CONTINUED

20. Use a 1/8" drill bit to drill pilot holes on all marks that have been punched.



21. Enlarge the holes with a 3/8" drill bit for the nut inserts.

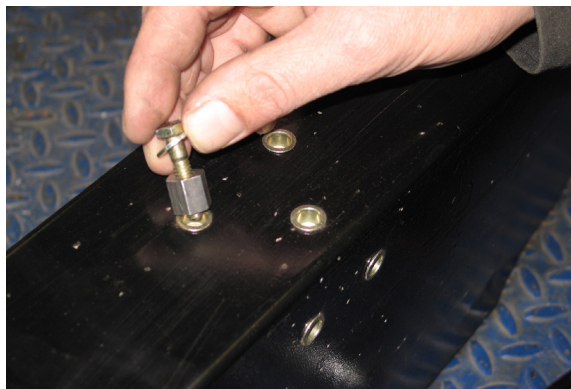


22. Place the ten splined nut inserts into the holes. Use a mallet or hammer to tap the inserts in until they are flush to the frame.



BELLTECH ANTI-SWAY BAR INSTALLATION CONTINUED

23. Place the supplied hex insert tool on top of the mounted nut inserts in the frame. Aligned with the insert, place a 1/4"-20 x 1-1/4" bolt and 1/4" washer into the nut insert.



24. Using a 1/2" wrench on the hex tool and a 7/16" wrench on the bolt, tighten the bolt to lock each nut insert into the frame.



Technician warning:

Tighten the nut insert until it is hand tight. DO NOT over torque as this will cause the insert to strip inside the clearance hole.

25. Remove the washers that were taped to the end link brackets.

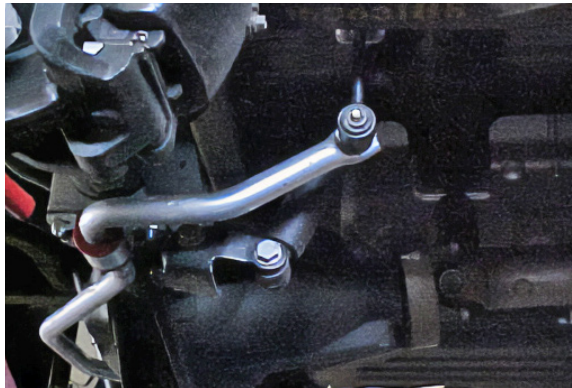


BELLTECH ANTI-SWAY BAR INSTALLATION CONTINUED

26. Place the bracket on top of the frame mounted nut inserts and fasten the top and bottom of the bracket with the 1/4"-20 x 1-1/4" bolts and 1/4" washers. Torque to 11 ft lbs.

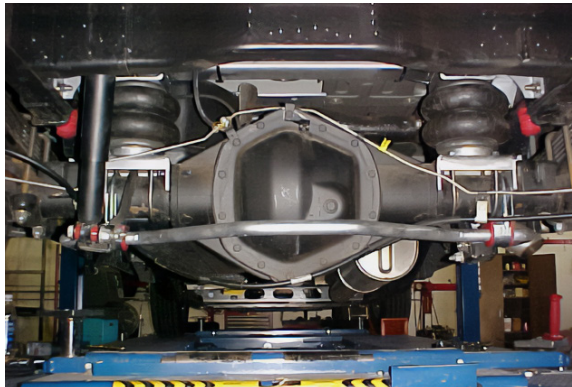


27. Attach the upper end links to the end link brackets with two 3/8-16" x 2-1/2" bolts, four washers, and two 3/8" stover lock nuts. Torque the upper and lower end link bolts to 40 ft lbs.



28. Center the sway bar left to the right and front to rear. Position the U-bolts and clamps to the widest spacing possible, within the lower shock mount buckets. This will prevent the sway bar from shifting left or right while cornering.

29. Torque the U-bolts and pivot bushing clamps to 22 ft lbs. Ensure the sway bar is centered directly under the axle.

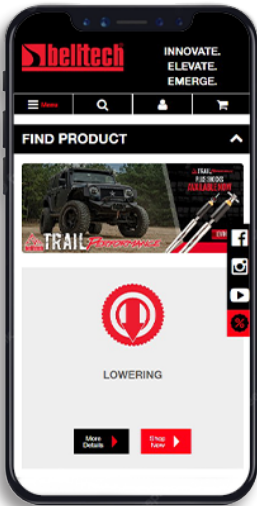


FINALIZING THE INSTALLATION

30. Mount the wheels and tighten the lug nuts
31. Lift the vehicle and remove the support stands.
32. Carefully lower the vehicle onto flat ground.
33. Torque the lug nuts to 175 ft lbs.
34. Check that all components and fasteners have been properly installed and torqued.
35. Read and perform all tasks in the “Before Driving Your Vehicle” section of page 1 of your instructions.

THANK YOU FOR CHOOSING BELLTECH.

You are now a part of the Belltech family and we are eager to catch a glimpse of your newly modified vehicle. Give us a shout out and let us know how much you love our product. Don't forget, we offer other Belltech related merchandise for you and your vehicle on our website www.belltech.com



belltechsuspension



Belltech Suspension



@belltechsuspension

If you have any questions, concerns, or warranty related issues regarding your Belltech product, please call or email our experienced customer service specialists.

Belltech Customer Support:

Phone: 1-800-445-3767

Email: info@belltech.com

KIT CONTENTS



SWAY BAR KIT		
Part number	Description	Qty
5510-300	1-1/8" REAR ANTI-SWAY BAR	1
5501	FRAME MOUNT KIT	1
5510-777	HARDWARE KIT	1

HARDWARE KIT		
Part number	Description	Qty
114050	END LINK	2
112262	3-1/2" U-CLAMP ASSEMBLY	2
113085	1-1/8" PIVOT BUSHING	2
115002-95	PIVOT BUSHING BRACKET	2
115003-95	BUSHING SUPPORT PLATE	2
55000-10	WHITE LITHIUM GREASE	1

FRAME MOUNT KIT		
Part number	Description	Qty
110100	1/4" WASHER	10
110103	1/4"-20 X 1-1/4" BOLT	10
112312	1/4"-20 STOVER LOCK NUT (NOT USED)	10
110104	1/4"- 20 SPLINED NUT INSERT	11
112518	3/8" WASHER	8
112108	3/8-16 X 2-1/2" BOLT	4
112318	3/8"-16 STOVER LOCK NUT	4
5501-001-95	HEX INSERT TOOL	1
5501-020-99	END LINK BRACKET	2



KW automotive North America, Inc.

300 W. Pontiac Way

Clovis, CA 93612

Phone: +1-559-875-0222

Toll Free: 1-800-445-3767

belltech.com