



INSTALLATION INSTRUCTIONS

Product: Adjustable Rear Track Bar

Part Number: JKSOGS124

Applications: Wrangler JL, 2018-2022

Left hand drive models

517-278-1226 • tech@jksmfg.com • www.jksmfg.com
491 W. Garfield Avenue, Coldwater, MI 49036

Welcome

CONGRATULATIONS on purchasing a new Adjustable Trackbar from JKS Manufacturing. We are committed to providing you with the best products available and your satisfaction is our first priority.

PLEASE READ these Installation Instructions carefully, and save them for future reference, as they contain important installation and maintenance information.

Important

CHECK TORQUE SPECIFICATIONS regularly.

Tools Required

- Hydraulic Floor Jack & Jack Stands
- Metric/Standard Socket Wrench Set
- Torque Wrench
- JKS1696 or equivalent jam nut wrench
- Tape Measure
- Heavy Duty Ratchet Strap *
- Anti-Seize Lubricant
- Factory Service Manual (recommended)

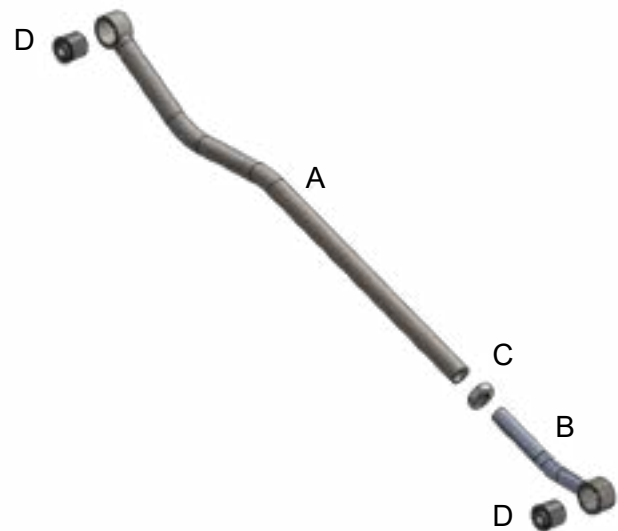
** Asterisk denotes tools that are not required for some applications. Thoroughly read instructions first to determine which tools will be required for your application.*

RECOMMENDED TOOL Compact Jam Nut Wrench



JKS Part # 1696

Parts



| | Description | QTY |
|----------|-----------------------------|-----|
| A | Male Threaded (Chassis) End | 1 |
| B | Female Threaded (Axle) End | 1 |
| C | 1" NF Jam Nut | 1 |
| D | Rubber Bushing | 2 |

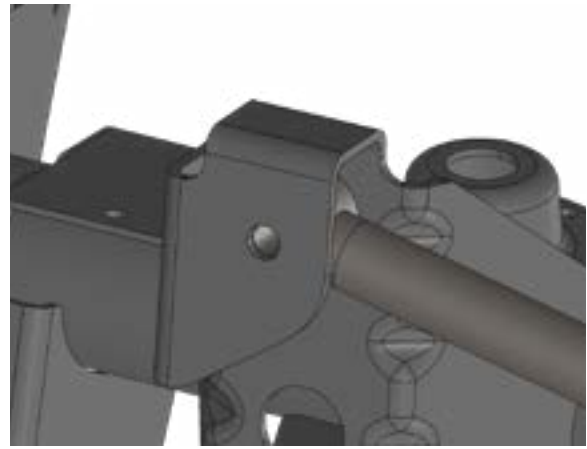
Installation

□ 1. REMOVE REAR TRACK BAR

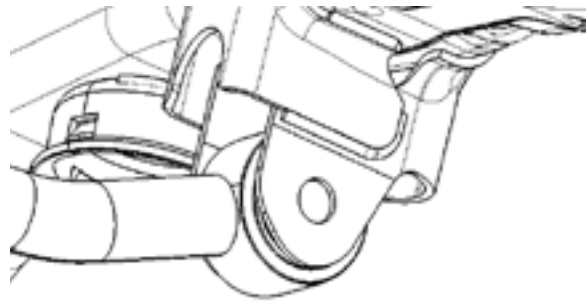
- Park on a level flat surface and block the front wheels for safety.
- Measure from the side of your frame to a consistent tire lug on both driver and passenger side. This will tell you how far off center you are. $(Pass - Drv)/2 =$ off center toward passenger. This value will be used later.
- Raise and support the vehicle chassis with jack stands positioned in front of the rear lower suspension arm brackets.
- Raise and support the rear axle housing with a hydraulic jack to relieve any tension from the mounting bolts.
- Remove the rear track bar mounting hardware from the axle and chassis brackets per the factory service manual instructions for your vehicle. Retain original hardware. [21mm Socket & wrench]
- Remove original track bar from vehicle.

□ 2. MOUNT ADJUSTABLE TRACKBAR TO AXLE BRACKET

- Take $37-5/8" +$ (Number from before), this will be your starting track bar length.
- Adjust the track bar to above number.
- Insert Axle End (A) of the adjustable trackbar into the axle bracket with the exhaust clearance bend downward.



- Loosely install the OE mounting hardware.
- insert the frame End (B) of the adjustable trackbar into the frame bracket. having the bend dipping down.



□ 3. VERIFY AXLE IS CENTERED

- Remove jack stands and lower vehicle to ground. **HINT:** Vehicle must be at normal ride height, on level ground, with the suspension supporting the full vehicle weight.
- Determine if the axle housing is centered by measuring the distance between the tire and chassis, using the exact same points on each side of the vehicle to ensure accuracy. **HINT:** For example, measure from the edge of a tire tread lug to the outboard side of the chassis, then repeat the measurement on the other side of vehicle using exact same points.



- If the two measurements are equal, the axle is centered. If the measurements vary, divide the difference in half to determine the amount of adjustment required. **HINT:** *If the axle housing is not centered, the chassis can be laterally shifted using step 1 & 2 to adjust the axle as needed..*

□ 5. POST-INSTALLATION

- Once all adjustments are complete, fully tighten the Jam Nut (C) to prevent Adjustable Trackbar length from changing.
- Using a torque wrench, tighten mounting hardware at the frame end to 74 ft-lbs plus 30 deg and axle end to 74 ft-lbs plus 60 deg.

Maintenance

Check torque specifications regularly.

Regular cleaning with pressurized water is recommended to maximize reliability.

©2014 JKS Manufacturing, Inc & Aftermarketing, LLC
Revision Date 08/30/2022