



INSTALLATION INSTRUCTIONS

Product: Shock Extension Bracket Kit

Part Number: JKS9612

Applications: Wrangler JL, 2018-2021

877-533-7557 • jks@sporttruckusainc.com • www.jksmfg.com
491 W. Garfield Avenue, Coldwater, MI 49036

Welcome

CONGRATULATIONS on purchasing a set of new Shock Extension Brackets from JKS Manufacturing. We are committed to providing you with the best products available and your satisfaction is our first priority.

PLEASE READ these Installation Instructions carefully, and save them for future reference, as they contain important installation and maintenance information.

Tools Required

- Metric/Standard Socket Wrench Set
- Torque Wrench

Parts

	Description	QTY
A	Front Shock Extension Bracket- Driver's side	1
B	Front Shock Extension Bracket- Passenger's side	1
C	3/8"-16 x 1-1/4" Bolt	2
D	3/8"-16 Prevailing Torque Nut	2
E	3/8" SAE Washer	4
F	12mm-1.50 x 30mm Bolt	2
G	12mm-1.50 x 80mm Bolt	2
H	12mm Flat Washer	8
I	12mm-1.50 Prevailing Torque Nut	4
J	0.75" x .134" x 1.575" Sleeve	2
K	Rear Shock Extension Bracket- Driver's Side	1

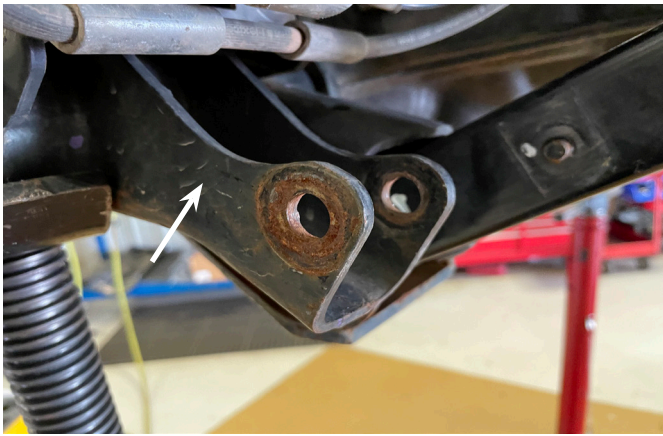
	Rear Shock Extension Bracket- Passenger's Side	1
	3/8"-16 x 1-1/4" Bolt	2
	3/8"-16 Prevailing Torque Nut	2
	3/8" SAE Washer	4
	9/16"-12 x 1-1/4" Bolt	2
	9/16"-12 Prevailing Torque Nut	2
	9/16" SAE Washer	4
	9/16" SAE Extra Thick Washer	2
	12mm-1.50 x 70mm Bolt	2
	12mm Flat Washer	4
	12mm-1.50 Prevailing Torque Nut	2
	1.125" x .219" x 1.125" Sleeve	2

Installation

Front

1. PREPARATION

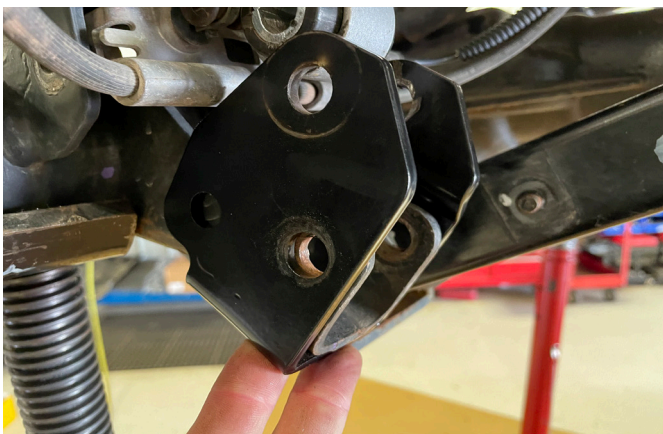
- Raise and support vehicle chassis with jack stands behind front lower control arm pockets.
- Support the front axle with a hydraulic jack and remove the front wheels and tires.
- Disconnect the front shocks from the axle, keep all hardware for reinstallation. Work on one side of the vehicle at a time.



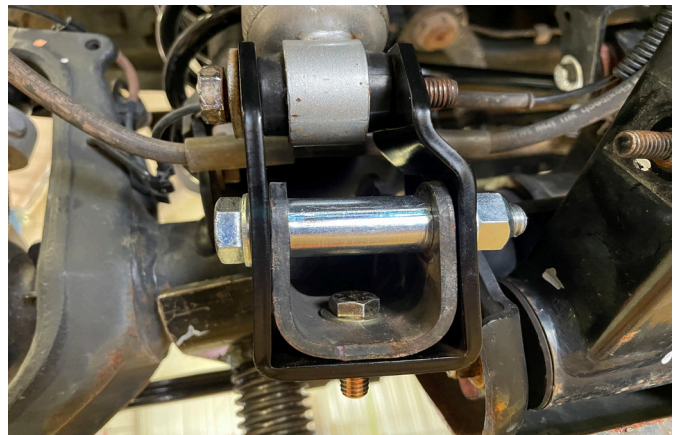
- Carefully lower the axle approximately 2 inches, making sure that no other components are binding or stretched.

□ 2. INSTALLATION

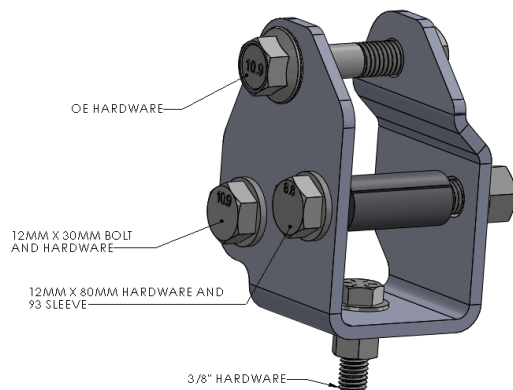
- The front shock extension brackets are side specific and stamped on the inside surface. 03568 is the driver's side bracket and 03569 is the passenger's side bracket.
- Slide the driver's side bracket on and mark the hole that needs to be drilled.



- Using a 1/2" drill bit, drill a hole in the marked location.
- Loosely install the bracket with the hardware included in bolt pack J159. Reference the figure below.



- Sleeve 93 will be used in the OE shock mounting position.



- Torque the 12mm hardware to 73 ft-lbs. Torque 3/8" hardware to 33 ft-lbs.
- Reinstall the shock into the shock extension bracket using the OE hardware. Torque to 74 ft-lbs.

□ 3. FINAL STEPS

- Reinstall the front wheels and tires, lower vehicle to ground.
- Torque lug nuts to 130 ft-lbs.
- Double check all hardware for proper torque.
- Check all fasteners after 500 miles and at regularly scheduled maintenance intervals.

Rear

□ 1. PREPARATION

- Raise and support vehicle chassis with jack stands in front of the rear lower control arm pockets.
- Support the rear axle with a hydraulic jack and remove the wheels and tires.

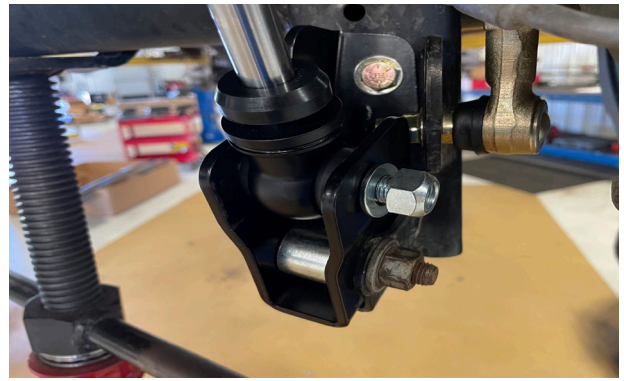
- Disconnect the rear shocks at the axle, keep all hardware for reinstallation. Work on one side of the vehicle at a time.
- Carefully lower the axle approximately 2 inches, making sure that no other components are binding or being stretched.

□ 2. INSTALLATION

- The rear shock extension brackets are side specific, the passenger's side bracket is shown in the pictures below.
- Slide the passenger's side bracket on and check the clearance to the weld bead at the back of the OE shock mounting pocket. If the weld is protruding enough to prevent all bolt holes from aligning, it may need to be clearanced with a carbide burr die grinder.



- Loosely install the bracket with the hardware included in bolt pack J160. Use the 3/8" hardware of the back face of the bracket, the 9/16" hardware on the bottom, and the OE bolt through the OE shock position with sleeve 25 taking the place of the shock. Use the 12mm x 70mm hardware to secure the shock to the bracket.
- If needed, the 9/16" extra thick washer can be placed under the shock bracket, between the axle side shock bracket and the new shock extension bracket.



- Torque the 12mm hardware to 73 ft-lbs. Torque 3/8" hardware to 33 ft-lbs. Torque the 9/16" hardware to 92 ft-lbs.
- Torque the OE shock hardware to 74 ft-lbs.

□ 3. FINAL STEPS

- Re-install the rear wheels and tires, lower vehicle to ground.
- Torque lug nuts to 130 ft-lbs.
- Double check all hardware for proper torque.
- Check all fasteners after 500 miles and at regularly scheduled maintenance intervals.

©2015 JKS Manufacturing
Revision Date 11/29/2021