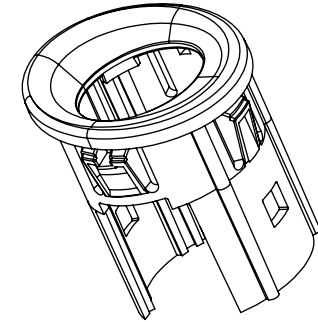


Heavy Duty Front Bumper Chevrolet /GMC HD

2015-19 Chevrolet 2500/3500 (with/without parking sensors) Non-winch

AL-FBM94CHN-RT
7/16/20



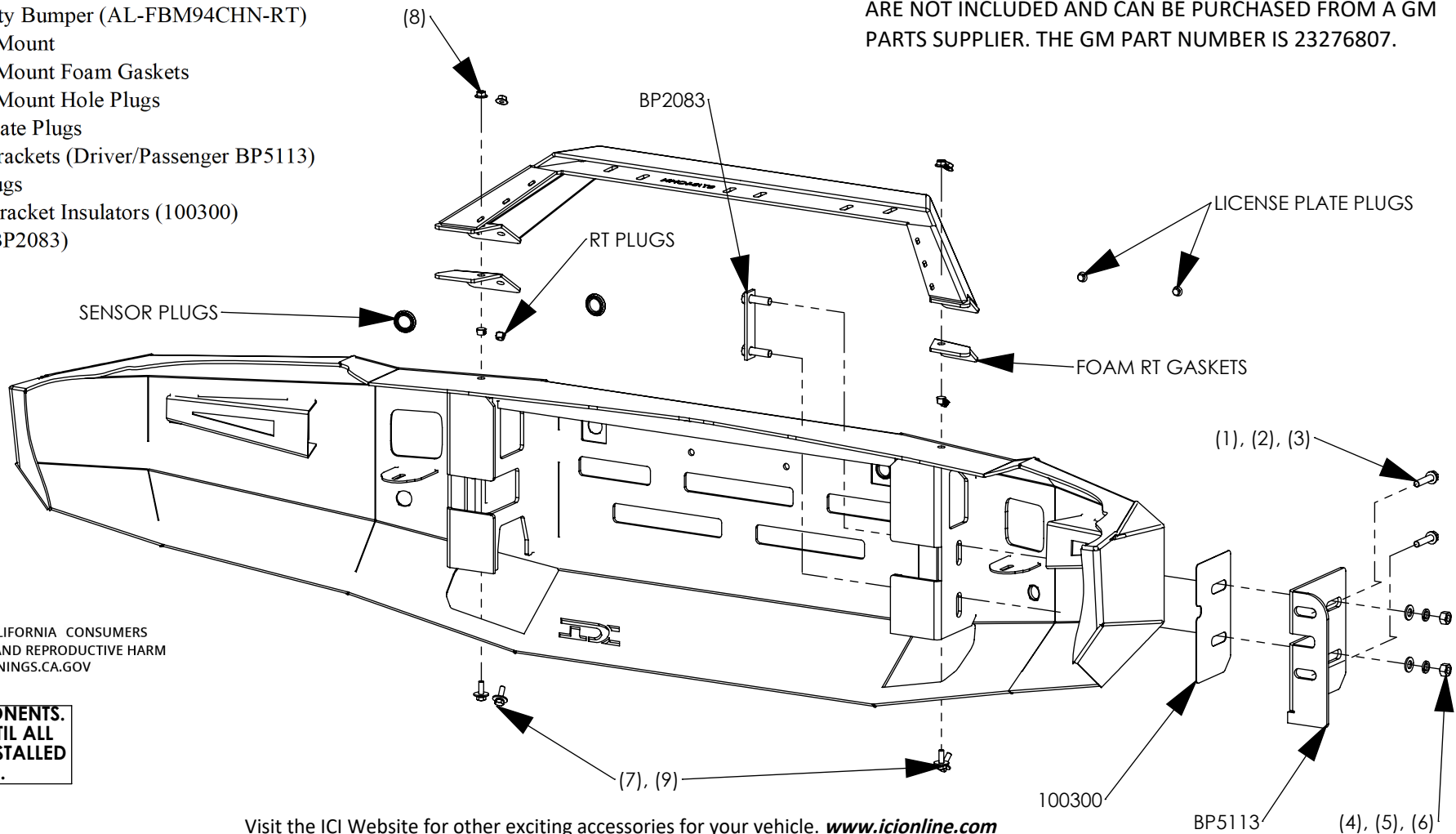
Hardware Kit Includes:

- (1) 4 – Hex Head Bolts (M10-1.5 x 50mm) Grade 8
- (2) 4 – Lock Washers (M10) Grade 8
- (3) 4 – Flat Washers (M10) Grade 8
- (4) 4 – Hex Nuts (M12-1.75) Grade 8
- (5) 4 – Flat Washers (M12) Grade 8
- (6) 4 – Lock Washers (M12) Grade 8
- (7) 4 – Hex Head Bolt (M8-1.25 x 25mm)
- (8) 4 – Flange Hex Nuts (M8)
- (9) 4 – Flat Washers (M8)

Components:

- (1) 1 – Heavy Duty Bumper (AL-FBM94CHN-RT)
- (2) 1 – RT Light Mount
- (3) 2 – RT Light Mount Foam Gaskets
- (4) 4 – RT Light Mount Hole Plugs
- (5) 2 – License Plate Plugs
- (6) 2 – Outside Brackets (Driver/Passenger BP5113)
- (7) 4 – Sensor Plugs
- (8) 2 – Bumper/Bracket Insulators (100300)
- (9) 2 – T-Bolts (BP2083)

IF YOUR TRUCK IS EQUIPPED WITH FRONT PARKING SENSORS YOU WILL NEED (2) ADDITIONAL SENSOR BRACKETS. THESE ARE NOT INCLUDED AND CAN BE PURCHASED FROM A GM PARTS SUPPLIER. THE GM PART NUMBER IS 23276807.



ATTN: STATE OF CALIFORNIA CONSUMERS
WARNING: CANCER AND REPRODUCTIVE HARM
-WWW.P65WARNINGS.CA.GOV

LOOSE FIT ALL COMPONENTS.
DO NOT TIGHTEN UNTIL ALL
COMPONENTS ARE INSTALLED
AND ADJUSTED.

Visit the ICI Website for other exciting accessories for your vehicle. www.icionline.com

Heavy Duty Front Bumper Chevrolet /GMC HD

2015-19 Chevrolet 2500/3500 (with/without parking sensors) Non-winch

AL-FBM94CHN-RT
7/16/20

**LOOSE FIT ALL COMPONENTS.
DO NOT TIGHTEN UNTIL ALL
COMPONENTS ARE INSTALLED
AND ADJUSTED.**

- STEP 1.** Open hood of vehicle and disconnect negative battery terminal
- STEP 2.** Begin by removing the top radiator/grille cover panel located just behind the front grill and above the radiator core support. Remove the (14) plastic push-pins and remove the panel. Save panel and all hardware for re-installation after bumper installation is completed.
- STEP 3.** Next, remove the factory grille assembly. Remove the (4) hex head retaining bolts attaching the grille to the core support. Lift up gently and pull the grille outward starting from the top, there are four tabbed clips (top) and four lower that need to be released in order for the grille to be removed. Take care not to damage or break the tabs during removal. Set grille aside and save hardware for re-installation.
- STEP 4.** Next, remove the remaining bumper assembly. Disconnect the fog lamp/parking sensor wiring harness (if so equipped) and wire loom retaining clips from the bumper support brackets. Remove the two outer support braces just behind the fog lamps and put aside. Unbolt and remove the inner bumper support brackets located just inside the bumper fender well area behind the fog lamps, these will not be re-used. Next with help to support and hold the bumper, remove the remaining (4) bumper bolts attaching at the frame and remove the bumper assembly from the vehicle. Once the bumper has been removed, unbolt and remove the two inner bumper brackets and put aside.
- STEP 5.** Before you begin the installation of the Alumilite Bumper it will be necessary to re-install the factory grille. Reusing the factory hardware re-install the factory grille assembly in the reverse order in which it was removed. Remove parking sensors (**if so equipped**), wiring harness and the two outer most plastic sensor brackets from the stock bumper, once you have completed these steps you may move forward with the bumper installation.
- STEP 6.** Mount the RT Light Mount to the top center of the bumper using the M8 hardware provided. If you do not wish to use the RT, plug the four holes in the bumper top with the RT Hole Plugs.
- STEP 7.** To begin the bumper installation, locate the BP5113 brackets supplied with the bumper and install them onto the frame re-using the (4) factory hardware bolts removed earlier in step #4 do not fully tighten until bumper has been installed. Install the two factory parking sensor bezels along with the two GM 23276807 brackets (NOT INCLUDED) into the bumper sensor cutouts provided, make sure they “Snap” into place. If the truck is not equipped with sensors, fill the holes with the sensor plugs.
- STEP 8.** If you are installing lights (NOT INCLUDED), ICI recommends doing so before mounting the bumper to the vehicle. With help support and lift the bumper up and onto the BP5113 frame brackets previously installed on the frame, placing the plastic insulator (100300) between the bumper brackets and the frame brackets to isolate the steel and aluminum parts. Attach using the (PN2043) T-bolts and M12 hex head, nuts, flat, and lock washers. Align the bumper to the vehicle and tighten all the M12 hardware.
- STEP 9.** Fully tighten inner bumper mounting brackets at the frame. Plug parking sensors back into the brackets and run the wiring harness inside the bumper then plug back into the factory harness (removed in step#4).
- STEP 10.** After bumper has been installed and properly aligned, complete the lighting installation following the instructions provided by the lighting manufacture. Once wiring is complete reconnect the negative battery terminal and test for proper function, re-install the factory grille/radiator cover panel re-using the factory hardware removed in step #2 and the installation is now complete.