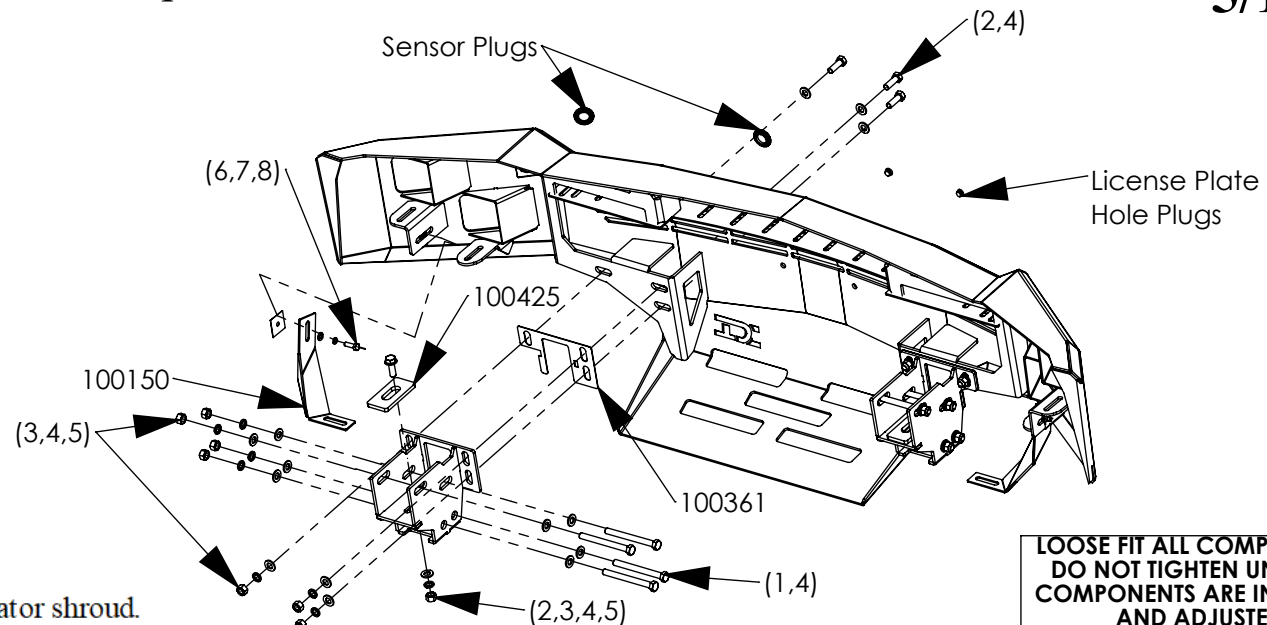


**Heavy Duty Non-Winch Front Bumper****2019 Chevrolet Silverado 1500 Front Bumper Non-Winch W/WO Sensors****Hardware Kit Includes:**

- (1) 8 – Hex Head Bolts (M12-1.75 x 120mm) Grade 8.8
- (2) 8 – Hex Head Bolts (M12-1.75 x 35mm) Grade 8.8
- (3) 16 – Lock washers (M12) Grade 8.8
- (4) 32 – Flat Washers (M12) Grade 8.8
- (5) 16 – Hex Head Nuts (M12-1.75) Grade 8.8
- (6) 2 – Hex Head Bolts (M8-1.25 x 25mm) Grade 8.8
- (7) 2 – Lock Washers (M8) Grade 8.8
- (8) 2 – Flat Washers (M8) Grade 8.8
- (9) 2 – U-Clip (M8-1.25) Grade 8.8

**Components List:**

- 1 – Heavy Duty Bumper (AL-FBM21CHN)
- 2 – Outside Brackets (1 Driver/1 Passenger 100082A)
- 2 – Side Supports (1 Driver/1 Passenger 100150A)
- 2 – M8 Plastic Push Nuts
- 2 – Outside Bracket Isolators (100361A)
- 2 – Spacer Plate (100425)
- 4 – Sensor Plugs
- 2 – License Plate Hole Plugs

**Step-by-Step Installation Instructions**

1. Remove the factory hood latch and radiator shroud.
2. Remove the factory grille assembly, be gentle not to break the clips, this part is clipped into the headlight assembly as well.
3. Unplug the factory fog light harness on passenger side of the vehicle near the frame rail and block heater (if equipped) on top of the driver frame rail.
4. Remove (4) bolts attaching the factory bumper to the frame, these are accessed from the top of bumper under the rubber shroud. (2 per side)
5. Remove the factory side support brackets. (3 bolts per side) set hardware aside for use installing the Alumilite bumper.
6. Remove (4) screws from bottom of bumper assembly, (2 per side) these are attaching a small bracket to bumper assembly.
7. With help, remove the factory bumper assembly from the vehicle and set aside.
8. If the truck is equipped with the lower intake shroud and vent actuators (4-cylinder turbo and eco diesel models) move on to step 9. Remove factory outside brackets from the frame (3 bolts per side), these will be bolted to and lightly stuck from the frame coating.
9. Remove the wheel well support brackets from the front of the wheel well liner to allow space to trim liners once the Alumilite bumper is installed.
10. Remove the OE tow hooks from frame to install into the Alumilite bumper brackets later in installation.
11. Install the outside brackets (100082) to the frame using the supplied M12 hardware, loosely fit to allow for adjustment if needed. Place the spacer plate (100425) between the outside bracket and the bottom of the frame when installing the outside bracket.
12. Reinstall OE tow hooks previously removed in (Step 10) and install into lower portion of outside brackets (100082) using the supplied M12 hardware. With the long M12 bolt threaded through the tow hook, adjust the tow hooks outside away from the center of the vehicle before tightening.
13. Install all lighting into Alumilite bumper prior to installation.
14. With help, lift and align the Alumilite bumper and attach it to the outside brackets (100082) using supplied M12 hex head bolts, nuts, lock washers and flat washers, be sure to put the (100361) bracket isolator between the mounting face of the bumper and bracket. Loosely tighten.
15. Adjust bumper to proper alignment side/side and up/down and tightly fasten hardware to the brackets, leave ¼" between the top of the bumper and grille.
16. Adjust bumper inward and outward until proper clearance and fasten all hardware.
17. Attach side supports (100150) using supplied M8 hardware and plastic push nuts between the bracket and bumper. Attach to the bottom of the frame and to the slots on the side of the light mounting tabs and tightly fasten hardware.
18. Wire all aftermarket lighting to manufacturers specs and secure all wiring.
19. Enjoy your new Alumilite Bumper.