

Heavy Duty Winch Front Bumper

2016-2023 TOYOTA TACOMA

AL-FBM70TYN-RT

12/29/22

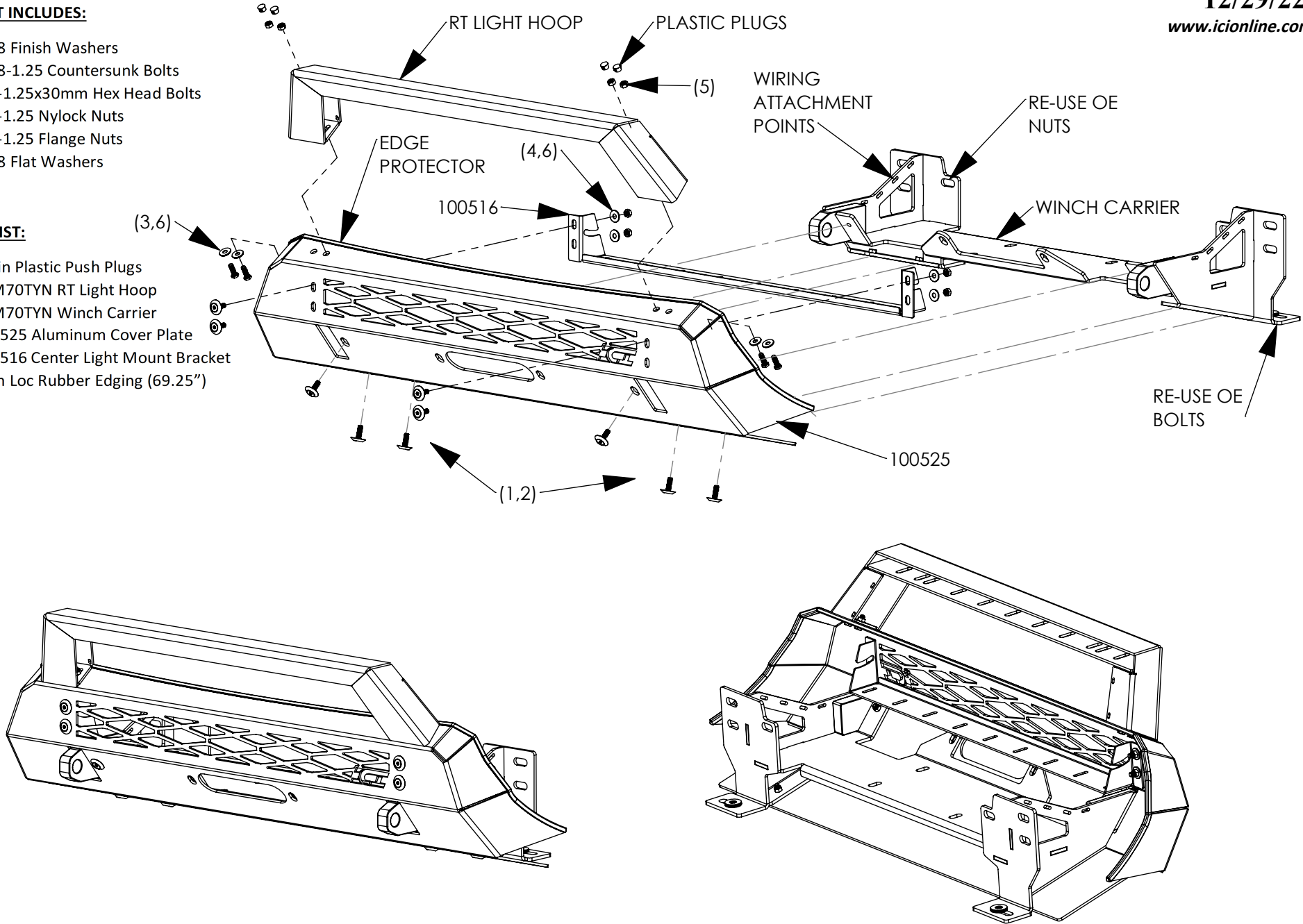
www.icionline.com

HARDWARE KIT INCLUDES:

- (1) 10 – M8 Finish Washers
- (2) 10 – M8-1.25 Countersunk Bolts
- (3) 4 – M8-1.25x30mm Hex Head Bolts
- (4) 4 – M8-1.25 Nylock Nuts
- (5) 4 – M8-1.25 Flange Nuts
- (6) 12 – M8 Flat Washers

COMPONENT LIST:

- (1) 4 – 1/2in Plastic Push Plugs
- (2) 1 – FBM70TYN RT Light Hoop
- (3) 1 – FBM70TYN Winch Carrier
- (4) 1 – 100525 Aluminum Cover Plate
- (5) 1 – 100516 Center Light Mount Bracket
- (6) 1 – Trim Loc Rubber Edging (69.25")



ATTN: STATE OF CALIFORNIA CONSUMERS
WARNING: CANCER AND REPRODUCTIVE HARM
-WWW.P65WARNINGS.CA.GOV

Heavy Duty Winch Front Bumper

2016-2023 TOYOTA TACOMA

AL-FBM70TYN-RT

12/29/22

www.icionline.com

STEP-BY-STEP

1. Remove the front skid plate and tow hook. There are (4) bolts holding on the factory skid plate and (2) bolts holding the factory tow hook on the passenger side lower frame. Remove and set aside, the factory tow hook will not be reused.
2. Remove the (4) bolts holding the lower plastic bumper cover along the bottom of the bumper.
3. Remove the two crash bars from the driver and passenger side lower frame. Each one is held in by a single bolt in the bottom of the frame. Set these aside for reinstallation later.
4. Remove the front bumper cap. The cap is held on by two plastic retainer clips on the driver and passenger side and numerous push clips around the top and bottom. These can be accessed from the bottom of the bumper, but it may be easier to remove the front grille for better access. The grille can be removed by removing the (2) bolts and (2) plastic push pins holding the top of the grill to the top of the core support. You may also need to unplug any wiring harnesses attached to the grille before releasing the grill from the core support. The bumper cap will not be reused so if you break the clips, don't sweat it.
5. Remove the bumper crash bar. Start by pulling off the plastic crash pad that is directly behind the bumper cap. Next, remove the (6) nuts (3 per side) that are holding the aluminum crash bar to the frame of the truck. Remove and discard the aluminum crash bar.
6. Once the crash bar is removed, trim the bottom of the factory plastic bumper. You only need to cut out the bottom center section of the bumper opening. Following the opening in the bumper, continue along the edge and cut out the bottom section of the bumper.
7. Depending on the winch you are using, it may be necessary to trim the upper bumper support bracket that holds the center of the factory bumper to the core support. You may also need to adjust the oil cooler for clearance. Test fit the winch and carrier to determine if these need to be modified. The oil cooler can be adjusted by loosening the (3) mounting brackets holding the cooler, gently pushing the cooler back towards the radiator and re-tightening the brackets.
8. Prepare your Alumilite bumper for installation by installing the 100516 center light mounting bracket to the front cover plate using the provided M8 hardware and attach any accessory lighting you are installing now. The internal light bracket can hold up to a 30" light bar or pod style lights.
9. If you are installing the RT light hoop, attach it to the top of the front cover plate with the provided M8 hardware. The RT light hoop can hold up to a 20" light bar and will not interfere with the TSS. If you are not using the RT light hoop, install the provided plastic plugs in the front cover. Also, install the rubber edge protector around the edge of the bumper cover.
10. Attach the winch carrier to the truck frame. Depending on your winch, it might be easier to install the winch to the winch carrier before attaching it to the frame of the truck. Using the factory nuts attach the winch carrier to the studs on the frame of the truck. Before tightening make sure the carrier is centered and pushed up as high as possible so the bottom mounting holes line up with the bottom of the core support. Using the factory lower crash bars and bolts removed in step 3, attach the lower winch plate to the core support. If there is a gap between the lower core support and the winch carrier, you may need some washers to go between the winch carrier and core support (these are not provided and vary by installation). Fully tighten winch and winch carrier to the truck.
11. Once the winch and carrier are installed, attach the bumper cover to the winch carrier with the provided M8 hardware. Tighten the hardware evenly so the cover plate sits flush against the winch carrier on all faces. Lastly, run your winch line out the front of the bumper cover and install your fairlead to the bumper. Wire any accessories and enjoy your Tacoma Alumilite front bumper.