



# JK PRO SERIES 2 REAR BUMPER FOR USE WITH FACTORY OR NO TOW HITCH

DOCUMENT: INST\_25219\_REV C • UPDATED: SEP 2021

Thank you for purchasing this ICON Vehicle Dynamics product. Please read through this entire document before proceeding with installation. If you are not confident in your mechanical skills, please seek the help of a professional to perform the installation. Check your packages immediately upon arrival to ensure that everything listed is included, and to check for damage during shipping. If anything is missing or damaged, or if you need technical assistance with any aspect of this installation, call (951) 689-ICON as soon as possible.



### APPLICATION

These installation instructions apply to the following products:

**25219** 07-18 JK PS2 REAR BUMPER W/ LIGHTS  
(FACTORY HITCH) (Shown Above)

### COMPONENTS INCLUDED

(1) PRO Series 2 Rear Bumper

### HARDWARE INCLUDED

- (6) 3/8-16 X 1-1/4 Gr8 Hex Head Cap Screw
- (6) 3/8 Gr8 Flat Washer
- (6) 3/8-16 Clip-Nut
- (1) Plastic Cap

### TECH NOTES

*NOTE: These installation instructions are based on a clean installation on to a stock 2007-2018 Jeep JK Wrangler. Previously modified vehicles may require additional steps.*

### TOOLS REQUIRED

- Ratchet with extension, 16mm, 18mm, 9/16" sockets, and 3/4" deep socket
- Drill motor with drill bits or step bit up to 1"
- Cutting fluid or lubricant
- Black paint and primer
- Fine-tip felt pen

### IMPORTANT NOTICES - PLEASE READ FIRST

- ✓ **READ ALL INSTRUCTIONS THOROUGHLY FROM START TO FINISH BEFORE BEGINNING INSTALLATION! IF THESE INSTRUCTIONS ARE NOT PROPERLY FOLLOWED SEVERE FRAME, SUSPENSION AND TIRE DAMAGE MAY RESULT TO THE VEHICLE!**
- ✓ **ICON VEHICLE DYNAMICS RECOMMENDS ALL INSTALLATION TO BE PERFORMED BY A PROFESSIONAL SHOP/SERVICE TECHNICIAN. PRODUCT FAILURE CAUSED BY IMPROPER INSTALLATION WILL NOT BE COVERED UNDER ICON'S WARRANTY POLICY.**

### INSTALLATION INSTRUCTIONS

1. Ensure the vehicle is placed on a flat, level surface with the transmission in PARK, the tires chocked, and the emergency brake ON. Wear safety glasses from this point forward.
2. Use a ratchet with 3/4" deep socket to remove the lug nuts holding the factory spare tire and set them aside. (NOTE: it is possible to perform the bumper installation without removing the spare tire first, however it is much easier if you do so)



FIG.1

3. Use a 16mm socket to remove the 4 bolts from the bumper brackets on the outside of each of the frame rails as shown in Figure 2.



FIG.2

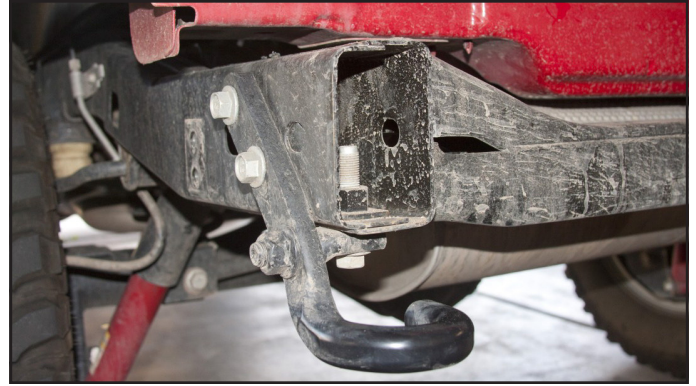


FIG.4

4. Use a ratchet with a shallow 16mm socket to remove the bumper Z-brackets from the back side of the rear crossmember. Each bracket has two bolts, one that attaches to the crossmember and one that attaches to the bumper. Remove both bolts to remove the bracket.



FIG.3

5. With the help of a friend, remove the bumper from the vehicle by pulling it up and away from the vehicle. Set the bumper aside along with the Z-brackets and OE bolts. Retain four (4) of the OE bolts for re-use in mounting the ICON bumper.
6. Remove the OE tow hook by using an 18mm socket to remove the three bolts that hold it to the driver's side frame rail. Set aside the tow hook, the nut plate from inside the frame rail, and the three bolts as they will not be re-used.

7. Lift the ICON bumper into place on the vehicle.



FIG.5

8. Use the four (4) retained OE bumper bolts, inserted into the stock bumper mounting holes on either side of the frame rail as shown in Figure 5, to hold it in place. Do not tighten these bolts at this time.



FIG.6

9. Use a floor jack to press the bottom of the bumper up against the Jeep's rear crossmember, making sure the bumper is correctly aligned left-to-right, when viewed from above as well as from the rear. Once the bumper is snug against the crossmember and everything is correctly aligned, tighten the four OE bumper bolts that were installed in the previous step.



FIG.7



FIG.9

10. Note the third bolt hole in the upper-right of the ICON bumper's mounting flange (when viewed on the driver's side, above and to the right of the oval-shaped hole). Some JK's came with the corresponding hole in the frame rail, some did not (shown in FIG. 8 below with the bumper removed for clarity). If yours does not already have the hole, use a fine-tip felt marker or center punch to mark the center of this hole on the frame rail, as you will need to drill this hole in a subsequent step. Do this for both sides of the vehicle.

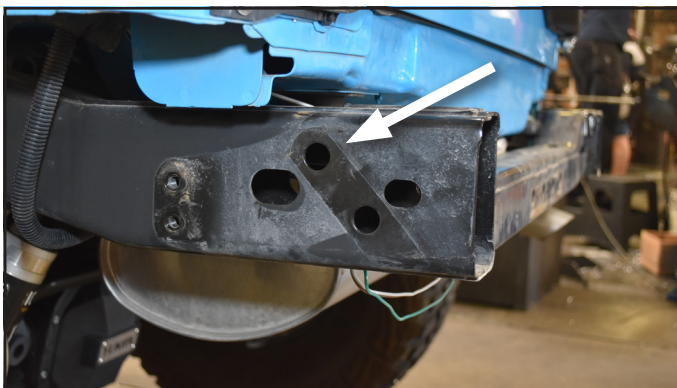


FIG.8

11. There are four bolt holes along the bottom surface of the ICON bumper. Use a fine-tip felt marker or center punch to mark the center of each of these holes on the bottom of the rear crossmember, as these holes will be drilled in a subsequent step. Note that there may be an existing hole in the crossmember, at one or more of these bolt hole locations. If so, make sure the hole in the bumper is aligned with the pre-existing hole(s). If necessary, loosen the frame rail bolts and adjust the position of the bumper to make sure the holes align, then re-tighten the frame rail bolts before marking the rest of the holes.

12. Remove the OE bumper bolts and lift the ICON bumper off of the Jeep and set it aside.

13. With a felt-tip marker, mark each of the hole locations along the bottom of the crossmember (that were marked in the previous step) with an "A". Measure exactly 1-3/8" from the center of each of the "Hole A" locations, and mark an additional hole location there. Designate the additional hole location as "Hole B". Refer to the diagram below for clarification.

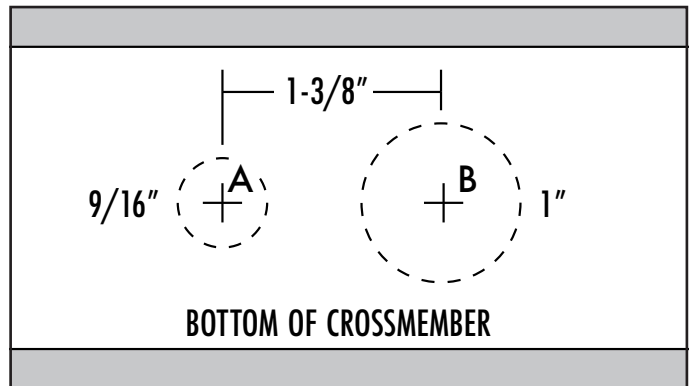


FIG.10

14. Drill each of the holes designated with an "A" to a final size of 9/16". Start with a small pilot hole of 1/8", and then step up in drill sizes to 9/16". Alternatively, a "Step Bit" or a 9/16" hole saw may be used.



FIG.11

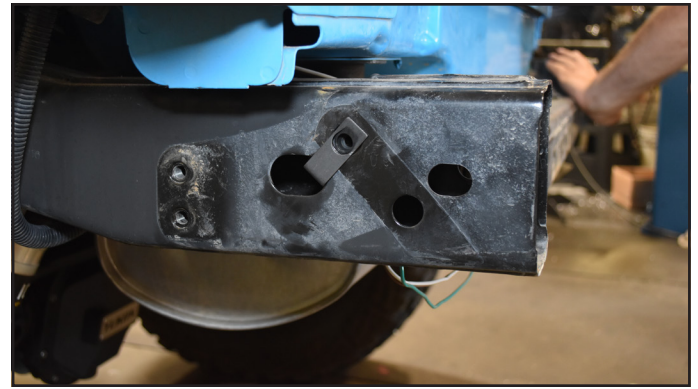


FIG.13

- 15. Drill each of the holes designated with a “B” to a final size of 1”. It is recommended to start with a small pilot hole of 1/8”. As standard drill bits that large are rare, it is recommended to use a “Step Bit” or a 1” hole saw to reach the final 1” hole size.
- 16. Use a file or sander to de-burr the edges of the newly-drilled holes. Primer and paint the exposed metal around the edges of the holes in order to prevent future rust.
- 17. At each of the four new bolt locations, insert one of the provided 3/8-16 Clip Nuts into the newly-drilled 1” hole (B), and slide it into place so that the extruded, threaded portion of the clip-nut indexes into the adjacent 9/16” hole (A).

- 19. Lift the ICON bumper back into place and re-install the four (4) OE bumper bolts on either side of the bumper. Do not tighten these bolts until all of the bumper mounting bolts have been installed in the following steps.

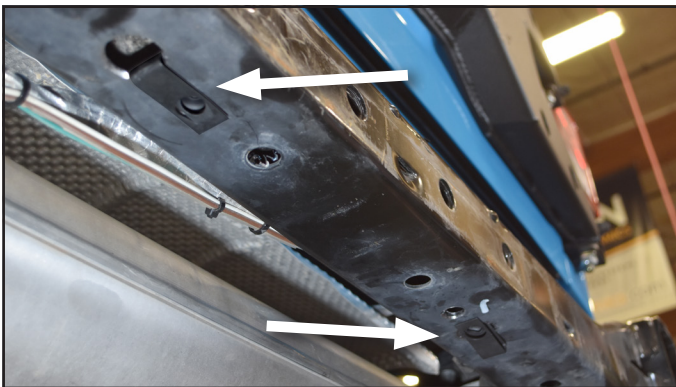


FIG.12



FIG.14

- 18. Install one of the provided 3/8-16 Clip Nuts into the third bolt location on the outside of each frame rail. Insert the clip-nut into the oval-shaped hole in the frame rail, and slide it into place so that the extruded, threaded portion of the clip-nut indexes into the adjacent hole.

- 20. Insert a supplied 3/8-16 X 1-1/4 Gr8 Hex Head Cap Screw, with 3/8 Gr8 Flat Washer, into the third bolt location in the ICON bumper’s mounting flange on each frame rail, and thread it into the previously-installed clip-nut. It may be necessary to use a spud bar or screw driver to slightly adjust the position of the clip-nut prior to inserting the bolt.



FIG.15



- 21. Insert a supplied 3/8-16 X 1-1/4 Gr8 Hex Head Cap Screw, with 3/8 Gr8 Flat Washer, into each of the four (4) bolt holes along the bottom surface of the ICON bumper, into the clip-nuts previously installed into the bottom of the Jeep's rear crossmember. It may be necessary to use a spud bar or screw driver to slightly adjust the position of the clip-nut prior to inserting the bolt.



FIG.16

- 22. Once all of the fasteners have been installed, fully tighten each of them with a wrench. Use a 16mm socket or wrench on the four re-used OE bumper bolts and a 9/16" socket or wrench with the supplied 3/8" Grade 8 hardware.



FIG.17

- 23. Insert the supplied plastic cap into the round hole on the top-passenger side of the bumper. Push it in until it is fully seated.



FIG.18

- 24. If the vehicle had been previously-equipped with a tow hitch, use wire ties (not supplied) to secure the trailer tow wiring plug in place.
- 25. This bumper is designed with recessed backup lamp mounting flanges to fit 2-1/2" round LED backup lamps with rubber grommets (sold separately). If you have purchased backup lamps, install them into the mounts at this time by first inserting the rubber grommet, and then pushing the lamp housing into place within the grommet. (You will use the electrical pigtails that came with the lamps to wire them into your Jeep's backup lamp circuit before pushing the lamps into place, a procedure which is not covered in these instructions).
- 26. Reinstall the spare tire.
- 27. VERIFY ALL FASTENERS ARE PROPERLY TORQUED BEFORE DRIVING VEHICLE.

*Congratulations! Your installation is complete.*

**RE-TORQUE ALL NUTS, BOLTS AND LUGS AFTER 100 MILES AND PERIODICALLY THEREAFTER.**

**LIMITED LIFETIME WARRANTY**

*ICON Vehicle Dynamics warrants to the original retail purchaser who owns the vehicle on which the product was originally installed. ICON Vehicle Dynamics does not warrant the product for finish, alterations, modifications and/or installation contrary to ICON Vehicle Dynamics instructions. ICON Vehicle Dynamics products are not designed, nor are they intended to be installed on vehicles used in race applications, for racing purposes or for similar activities. (A "race" is defined as any contest between two or more vehicles, or a contest of one or more vehicles against the clock, whether or not such contest is for a prize). This warranty does not include coverage for police or taxi vehicles, race vehicles, or vehicles used for government or commercial purposes. Also excluded from this warranty are sales outside of the United States of America and Canada.*

*ICON Vehicle Dynamics' obligation under this warranty is limited to the repair or replacement, at ICON Vehicle Dynamics' discretion, of the defective product. Any and all costs of removal, installation or re-installation, freight charges and incidental or consequential damages are expressly excluded from this warranty. Items that are subject to wear are not considered defective when worn and are not covered.*

*ICON Vehicle Dynamics components must be installed as a complete kit as shown in our current application guide. Any substitutions or exemptions of required components will immediately void the warranty. Some finish damage may happen to parts during shipping and is not covered under warranty.*

*This warranty is expressly in lieu of all other warranties expressed or implied. This warranty shall not apply to any product that has been improperly installed, modified or customized subject to accident, negligence, abuse or misuse.*

**ICON VEHICLE DYNAMICS®**  
PERFORMANCE SUSPENSION SYSTEMS AND SHOCK ABSORBERS

7929 Lincoln Ave. Riverside, CA 92504  
Phone: 951.689.ICON Fax: 951.689.1016  
[www.iconvehicledynamics.com](http://www.iconvehicledynamics.com)

**FOLLOW US ON FACEBOOK!**