

# Installation Instructions

I - Sheet Number INS-HS96 Rev.C



## Hood Shield

**For proper installation and best possible fit, please read all instructions BEFORE you begin.  
For technical assistance or to obtain missing parts, please call Customer Relations at 1-800-344-8759.**

### Important Safety Information



- CAUTION - Before driving, ensure that the hood shield is properly secured to vehicle.
- Do not use automatic "brush-style" car washes.
- Do not use cleaning solvents of any kind.
- Periodically check all components for tightness.

### Contents

**NOTE:** Actual product may vary from illustration.



Hood shield



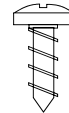
Bump On  
x4  
(98024)



Hood Insert  
x2  
(39-4150)



Washer  
x2  
(98022)



Screws  
x2  
(98023)



Fastener  
x2  
(45-4111)

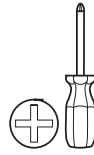
### Tools Required



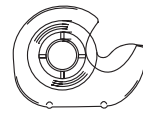
Car Wash Supplies



Clean Towel



Phillips  
screwdriver



Tape

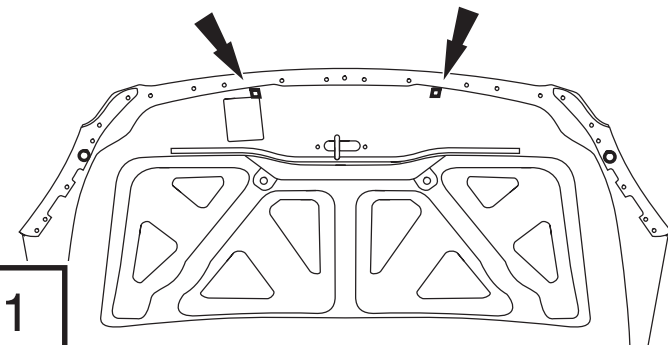
### Preparation Before Painting / Installation

- A trial fit is recommended to ensure proper positioning and fit.
- Check fit of parts before painting as we will not accept the return of modified or painted parts.
- Wash and dry your vehicle to remove any debris and/or dirt from the installation area.

### Installation Steps

**NOTE:** Actual application may vary slightly from illustrations.

Open hood. Locate (2) square holes on the underside of hood and clean this area.

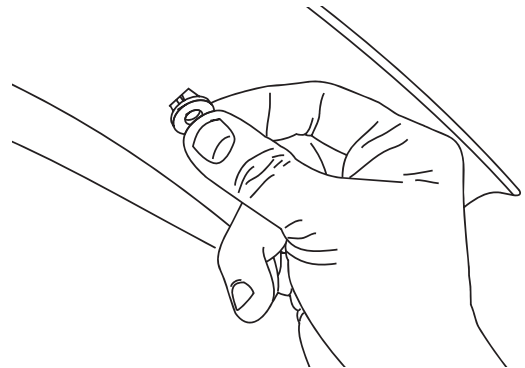


1



2

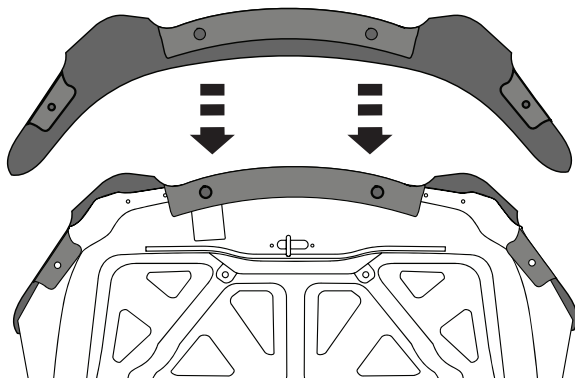
Press (2) hood inserts into the (2) square holes. If necessary use tape to hold them firmly in place.



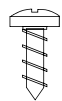
# Installation Steps

**NOTE:** Actual application may vary slightly from illustrations.

Set the hood shield in place.

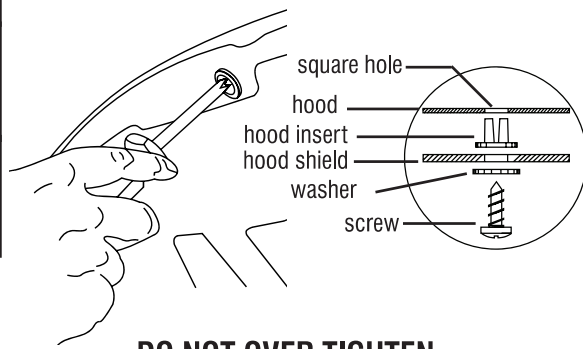


3



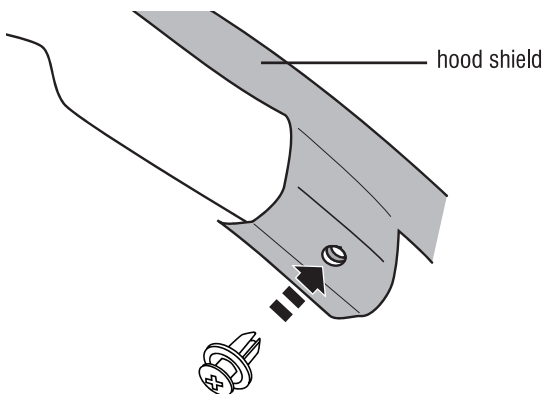
4

Using a phillips screwdriver install (2) screws with (2) washers to the two (2) inboard holes through the hood inserts.



**DO NOT OVER TIGHTEN**

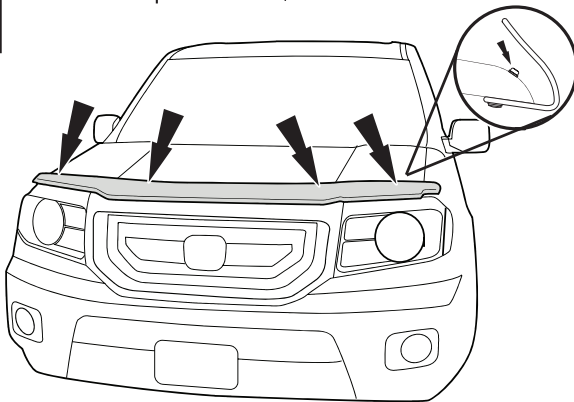
Insert (2) fasteners through hood shield and into the outboard holes in hood.



5



Install bump ons at pre-cleaned locations on the painted hood/fender surface.



6

## Care and Cleaning

- Wash only with mild soap & dry with a clean cloth.



The material that your product is made from can be recycled. Please also consider recycling the packaging that your product came in.



## Congratulations!

You have purchased one of the many quality Husky® branded products. We take the utmost pride in our products and want you to enjoy years of satisfaction from your investment. We have made every effort to ensure that your product is top quality in terms of fit, durability, finish and ease of installation.



1-800-344-8759 • Visit us at [huskyliners.com](http://huskyliners.com)

© 2024 Husky Liners, Inc. All rights reserved.

Husky® and the Husky® logo are trademarks of Husky Liners, Inc.