



## WEATHERBEATER<sup>®</sup> FLOOR LINERS

PT #1444

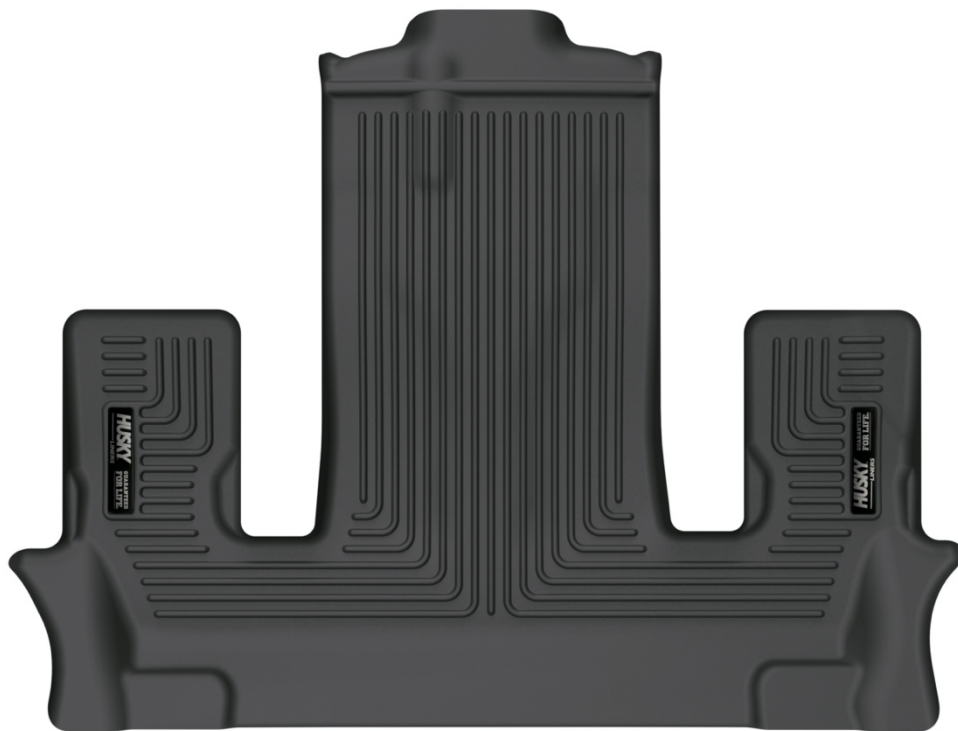
### CARE AND USE INSTRUCTIONS

---

Thank you for selecting an WeatherBeater<sup>™</sup> Floor Liners from Husky Liners Inc. Your new liners are custom molded to fit your specific vehicle's floor board. The liners are made to take the place of your factory floor mats. ***For correct fit, it is necessary to remove the factory floor mats before installing your new floor liners. However, do not remove the factory-installed carpeting.***

Your liners are made from an engineering resin that is lightweight and extremely tough and durable. The easiest way to clean your liner is with a damp cloth or sponge and soap and water. Windex<sup>®</sup>, 409<sup>®</sup> and ArmorAll<sup>®</sup> type cleaners work as well.

PLEASE TRIM THE LINER IF YOU HAVE A 2<sup>ND</sup> ROW BENCH SEATS. USE THE MOLDED IN TRIM GROOVE AS YOUR GUIDE. A UTILITY KNIFE OR HEAVY SHEARS WORK WELL FOR TRIMMING.



TO EASE INSTALLATION OF YOUR NEW LINERS, MOVE BOTH SECOND ROW SEATS TO THEIR MOST FORWARD POSITION. WITH THIS DONE, INSTALL THE LINERS AS SHOWN ABOVE. ONCE YOU HAVE INSTALLED YOUR LINERS, REPOSITION THE SEATS AS DESIRED.