

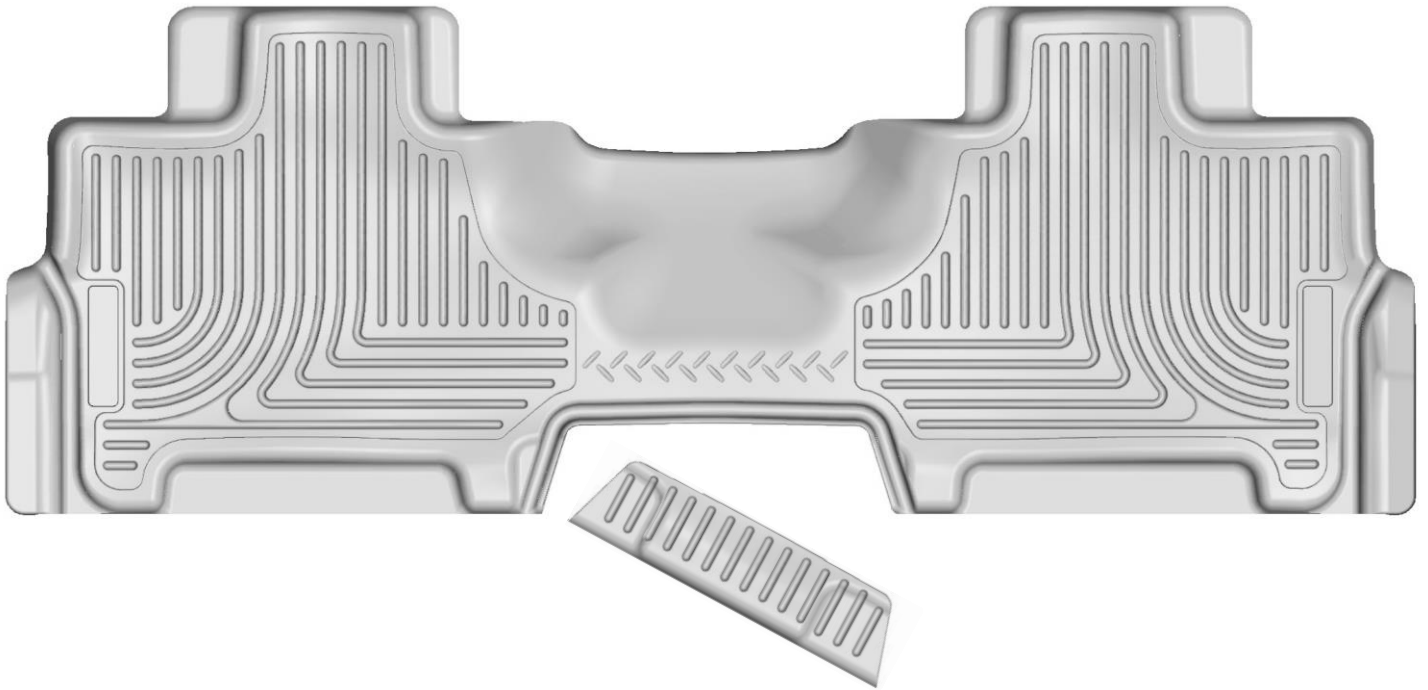
HUSKY **WeatherBEATER™** **Custom Vehicle Floor Protection**

CARE AND USE INSTRUCTIONS

Thank you for selecting a WeatherBeater™ Floor Liner from Winfield Consumer Products. Your new second seat liner is custom molded to fit your Ford Expedition & Lincoln Navigator. The liner is made to take the place of your factory floor mats. **For correct fit, it is necessary to remove the factory floor mats before installing your new floor liners.** However, do not remove the factory-installed carpeting.

Your liner is made from an engineering resin that is lightweight and extremely tough and durable. The easiest way to clean your liner is with a damp cloth or sponge. If using a cleaner, 409® or Glass Plus® work well. Use of Armor All®, Son-of-a-Gun® or similar items is discouraged as these products make the liner slick.

INSTALLATION INSTRUCTIONS FOR YOUR EXPEDITION / EXPEDITION EL & NAVIGATOR / NAVIGATOR L 2ND SEAT LINER



TO EASE INSTALLATION OF YOUR SECOND SEAT LINER, MOVE BOTH FRONT SEATS TO THEIR MOST FORWARD POSITION. ONCE LINER IS INSTALLED, REPOSITION THE SEATS AS DESIRED.

IF YOUR VEHICLE IS EQUIPPED WITH A CONSOLE BETWEEN THE 2ND ROW BUCKET SEATS, YOU WILL NEED TO TRIM YOUR LINER TO ACHIEVE THE PROPER FIT. TO TRIM, REMOVE THE MATERIAL OUTSIDE OF THE RAISED RIB AS SHOWN IN THE IMAGE ABOVE. A MOLDED IN TRIM STEP IS INCLUDED TO AID IN TRIMMING.