



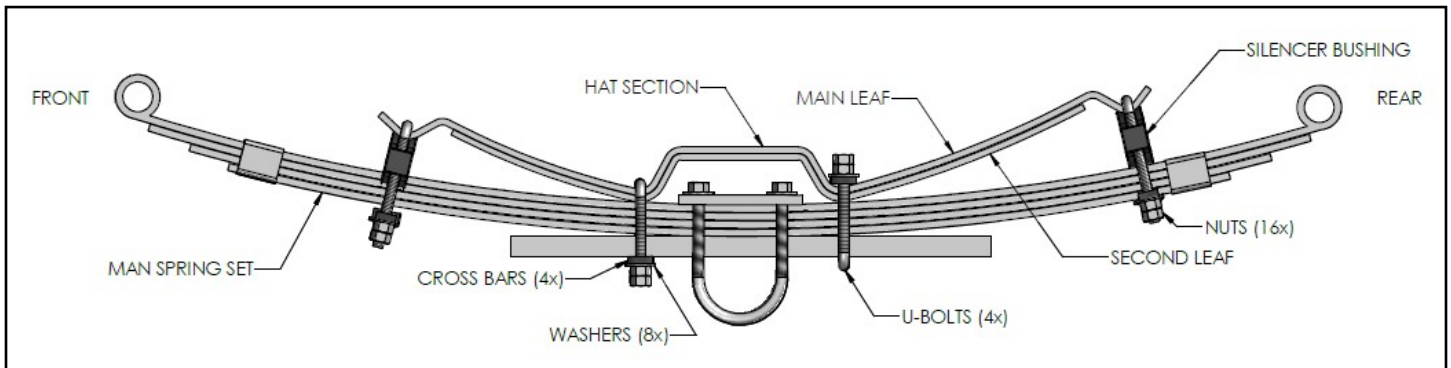
559-734-7451  
800-367-5480

TechSupport@HellwigProducts.com

## INSTALLATION INSTRUCTIONS Pro-Series Helper Springs

Thank you for purchasing a quality Hellwig Product.

**PLEASE READ THIS INSTRUCTION SHEET COMPLETELY BEFORE STARTING YOUR**



**SAFETY: BEFORE STARTING YOUR INSTALLATION, PARK YOUR VEHICLE ON A FLAT LEVEL SURFACE, SET THE PARKING BRAKE, AND CHOCK THE FRONT TIRES.**

### IMPORTANT NOTES:

1. YOUR SPRING MAY HAVE A SMALL HOLE IN THE END. THIS IS FOR OUR MANUFACTURING PROCESS AND WILL NOT BE USED.
2. HELLWIG HELPER SPRINGS ARE DESIGNED TO INCREASE THE "LEVEL LOAD" CARRYING CAPACITY OF YOUR VEHICLE. NEVER LOAD THE VEHICLE THAT THIS UNIT IS INSTALLED ON BEYOND THE MANUFACTURER'S MAXIMUM GROSS VEHICLE WEIGHT RATING.

### STEPS:

1. Lay out the spring leaves into two (2) sets. Each will consist of a main leaf with U-bolt cups and a second leaf without cups. Lay the leaves so that the long ends are all in the same direction. Stack the leaves so that the main leaf is on top.





559-734-7451  
800-367-5480

TechSupport@HellwigProducts.com

2. Place the spring stack on top of the main spring with the long end toward the front of the vehicle.
3. Place the longer U-bolts in the cups at the ends of the spring with the silencer bushing between the main spring and the helper spring as shown in the diagram. Loosely install the crossbars using the provided hardware.



4. Adjust the crossbars on the end of the springs so they sit flat against the factory springs. Move the spring fore or aft as necessary for best alignment making sure the adjacent leaf tip will not make contact with the crossbar when the spring is deflected.
5. Place the shorter U-bolts on either side of the hat section of the leaf stack as shown in the diagram. The U-bolts should be fastened as close to the hat section as possible. These U-bolts in the rear must be installed with legs pointing up to avoid damaging the brake line.



6. Install the straight crossbars with provided washers and nuts to connect to the main spring. Torque the nuts to 60 ft-lbs and double nut.

**Safety Note: Ensure all parts are free and clear of bedliner during installation**



559-734-7451

800-367-5480

TechSupport@HellwigProducts.com

7. Adjust the U-bolts at the end to desired preload. The minimum tension adjustment is having enough tension on the end U-bolts so that they do not loosen or rattle and move when the vehicle is driven over rough or bumpy surfaces. Maximum adjustment is when the leaf cups have been deflected two (2) inches from their free state. **DO NOT EXCEED THE MAXIMUM ADJUSTMENT OF 2 INCHES.**



8. When adjustment is complete, double nut to lock in adjustment.
9. Check your installation for clearance on all undercarriage components; wires, fuel, brake, and air conditioning lines. Test drive the vehicle and recheck your installation, adjust as needed. Recheck on a periodic basis thereafter.

**ATTENTION INSTALLER: BE SURE THAT THE CUSTOMER RECEIVES THIS INSTRUCTION SHEET, ALL IMPORTANT NOTE CARDS AND THE WARRANTY FORM**

#### MAINTENANCE AND INSPECTION:

Your Hellwig Suspension Product is built to last. However, as with all vehicle systems, it requires routine inspection. Inspect your Hellwig installation looking for secure hardware and tight fitting brackets and bushings. If you do not perform this inspection, have your professional mechanic inspect as described.

#### THANKYOU FOR PURCHASING A QUALITY HELLWIG PRODUCT

Hellwig Products Company, located in Visalia, California was founded in 1946 with solutions for load and sway control. The family operated company produces components for trucks, RVs, muscle cars, fleets and military vehicles. Hellwig is ISO9001 certified and is proud to develop, test and manufacture products in the USA.