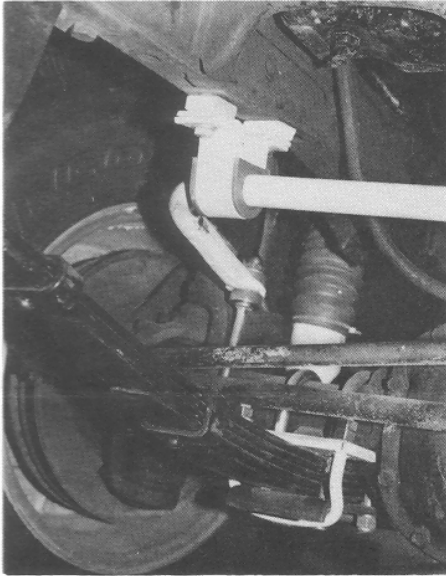




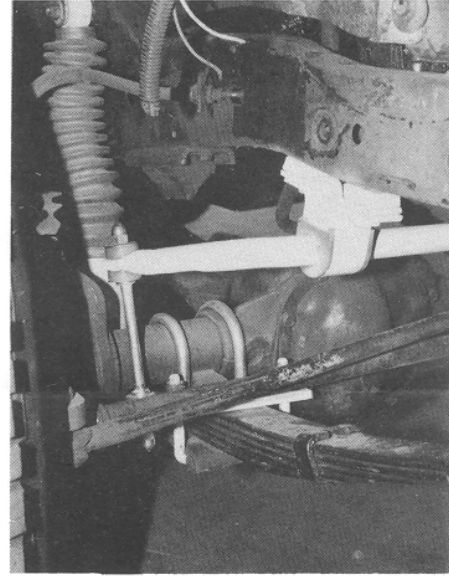
HELLWIG INSTALLATION INSTRUCTIONS

FACTORY AND GENERAL OFFICES • 16237 AVENUE 296, VISALIA, CA 93292 • (209) 734-7451

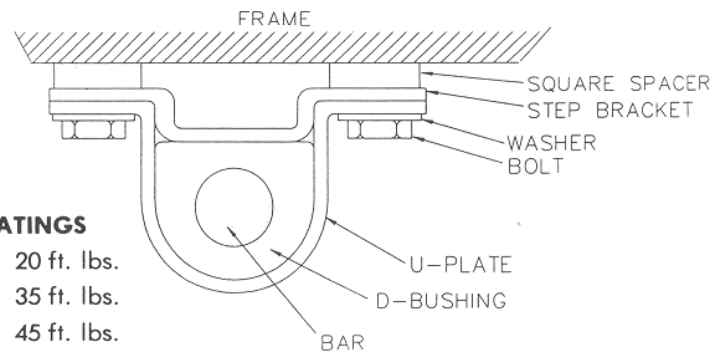
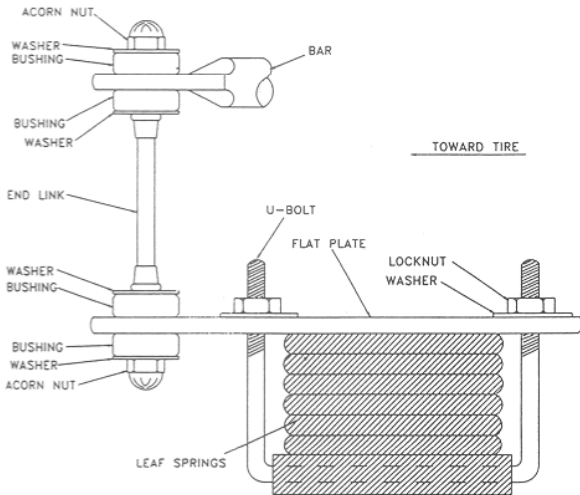
READ THIS INSTRUCTION SHEET COMPLETELY BEFORE STARTING YOUR INSTALLATION



1. (Passenger Side From Under Vehicle)



2. (Passenger Side From Front At Tire)



TORQUE RATINGS

| | |
|-------------------|--------------|
| 5/16 Inch | 20 ft. lbs. |
| 3/8 Inch | 35 ft. lbs. |
| 7/16 Inch | 45 ft. lbs. |
| 1/2 Inch | 75 ft. lbs. |
| 9/16 Inch | 90 ft. lbs. |
| 5/8 Inch | 120 ft. lbs. |

NOTE: THIS UNIT IS DESIGNED TO MOUNT TO THE FRAME AND TO THE LEAF SPRINGS FORWARD OF THE FRONT AXLE.

- As per the Photos and Diagrams, place the flat 3 hole plates on top of the leaf springs up against the front of the axle. The third hole extends to the tire side of the leaf springs.
- Place the U-bolt into the axle mount plate below the leaf springs and through the flat plate. The bend in the U-bolt will be forward of the axle. Attach with the flat washers and locknuts provided. LEAVE LOOSE to allow for adjustment, See Photos and diagram.
- Place the D-bushings on the bar as close to the bends as possible. As per the Diagram, attach the bar to the frame with the U-plates, step brackets, square spacers, washers and bolts. LEAVE LOOSE. This mounts forward of the axle to the existing threads in the frame.
- As per the Photos and Diagram, assemble the end links between the ends of the bar and the flat plates. Two lengths of end links are provided, the short links will fit a stock vehicle. Tighten the acorn nuts only until they bottom DO NOT OVERTIGHTEN or damage to the acorn nut and the bushings will result.
- Adjust the bar so the bar is centered on the frame rails and the end links are as straight up and down as possible.
- Torque all mounting hardware to the specified rate.
- Bounce the vehicle and turn the wheels full lock left and right checking for clearance on all undercarriage components, tires, etc. Loosen and adjust as needed, retorquer. Recheck your installation after one week of driving and every thirty (30) days thereafter.

ATTENTION INSTALLER: BE SURE THE CUSTOMER RECEIVES THIS INSTRUCTION SHEET, ALL IMPORTANT NOTE CARDS, WARNING CARDS, AND THE WARRANTY FORM.