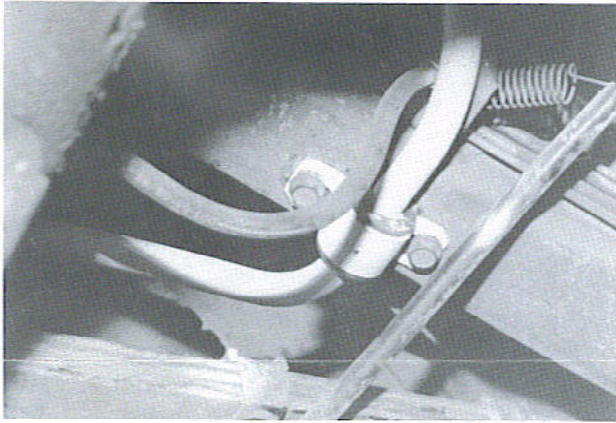




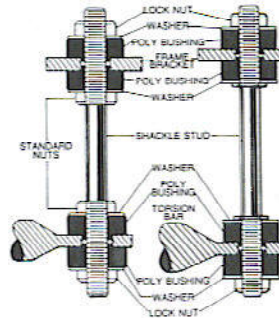
HELLWIG INSTALLATION INSTRUCTIONS

FACTORY AND GENERAL OFFICES • 16237 AVENUE 296, VISALIA, CA 93291 • (209) 734-7451

JEEP CHEROKEE MINI REAR (Anti-Sway Bar)



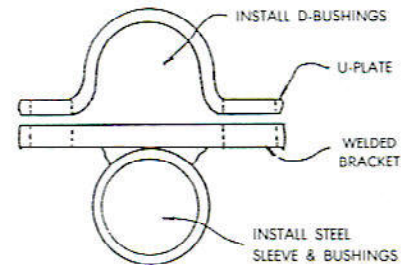
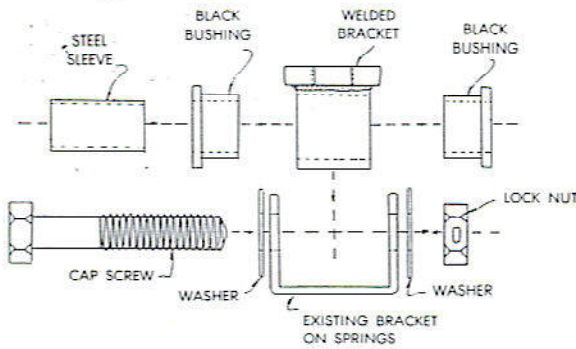
1



2

TORQUE RATINGS

3/8 Inch	...	35 ft. lbs.
7/16 Inch	...	45 ft. lbs.
1/2 Inch	...	75 ft. lbs.
9/16 Inch	...	90 ft. lbs.
5/8 Inch	...	120 ft. lbs.



NOTE: This unit is designed to replace the factory installed rear anti-sway bar.

1. Remove the factory installed rear anti-sway bar and all mounting hardware, the bolts used to mount the U-plates to the frame will be reinstalled in step 3.
2. Position the bar above the rear axle so that the hump and arms are toward the rear the same as the factory bar removed in step 1.
3. Place the D-shaped poly bushings on the bar in the same location as on the factory bar at the frame, install the U-plates over the bushings and mount them to the frame using the bolts removed in step 1. Leave loose at this time. (See Photo #1)
4. Install the black bushings and steel sleeve into the welded bracket as in the diagram and mount to the factory U-shaped bracket located on top of the leaf spring upper plates. (See Diagram and Photo #2)
5. Place the remaining poly bushings on the ends of the bar and using the U-plates, mount them to the welded brackets installed in step 4. Leave loose at this time. (See Photo #2)
6. Before tightening the mounting hardware be sure not to pinch or damage any brake lines, hoses or wiring.
7. Bounce the vehicle checking for clearance on all undercarriage components, the bar should not come into contact with any part of the undercarriage. Due to a slight difference in the exhaust and parking brake cable hanger brackets it may be necessary to bend one of these brackets slightly to get the proper clearances.
8. Recheck your installation after one week of driving and every thirty (30) days thereafter.

ATTENTION INSTALLER: Be sure the customer receives this instruction sheet, all important note cards, warning cards and the warranty form.