



Class C Race Hauler Hitch User Guide



TORSION  FLEX



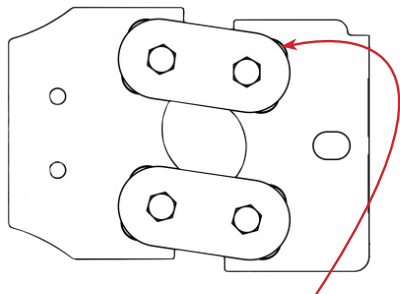


Torsion Hitch USERS GUIDE

This product is protected by Patent # US9505281B1, USD773345S1, USD9868327B1



SCAN ME!

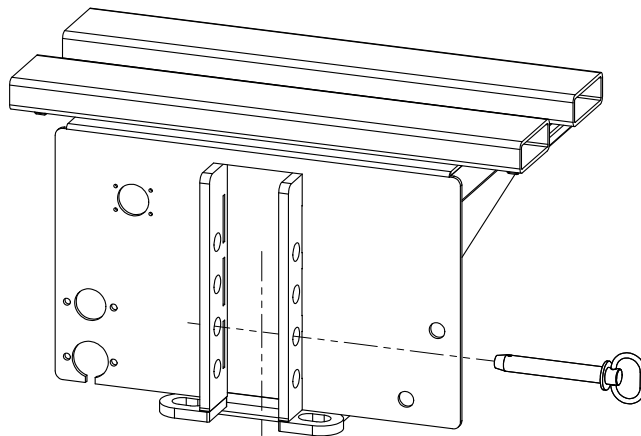


Tongue Weight Scale



← Max tongue weight

← Min tongue weight



TO INSTALL:
SLIDE HITCH IN FROM BOTTOM AND
ATTACH WITH APPROPRIATE PIN

Pintle lock: used to secure
lunette pintle ring to hitch

$2\frac{5}{16}$ " Ball

Multiple hitch slots allow
for maximum adjustability

Removable $1\frac{7}{8}$ " ball attachment option

2" Ball

Pintle saddle: creates a more secure fit for a lunette/pintle ring.

AVERAGE BREAK-IN PERIOD: 500 MILES.

*GEN-Y Hitch "shall not" be held responsible for any or all "compatible parts or products" being used or being utilized for towing with or around GEN-Y Hitch.

*GEN-Y Hitch shall never be altered in any circumstances or for any reason and will void any warranties if done so.