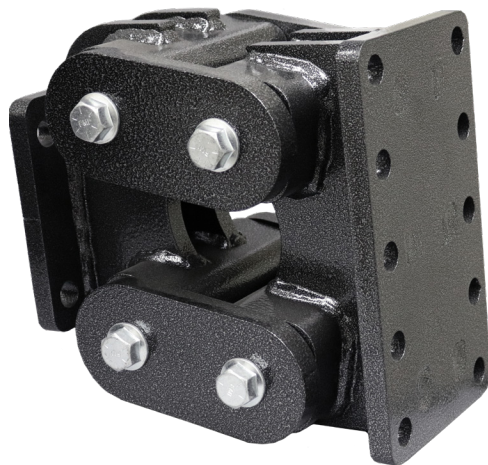




Trailer Coupler/Flat Plate User Guide



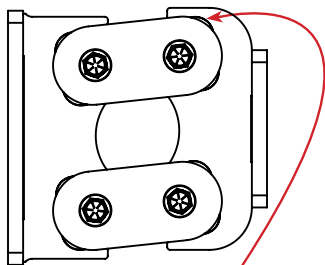
TORSION  FLEX





Torsion Hitch USERS GUIDE

This product is protected by Patent # US9505281B1, USD773345S1, USD9868327B1



Tongue Weight Scale

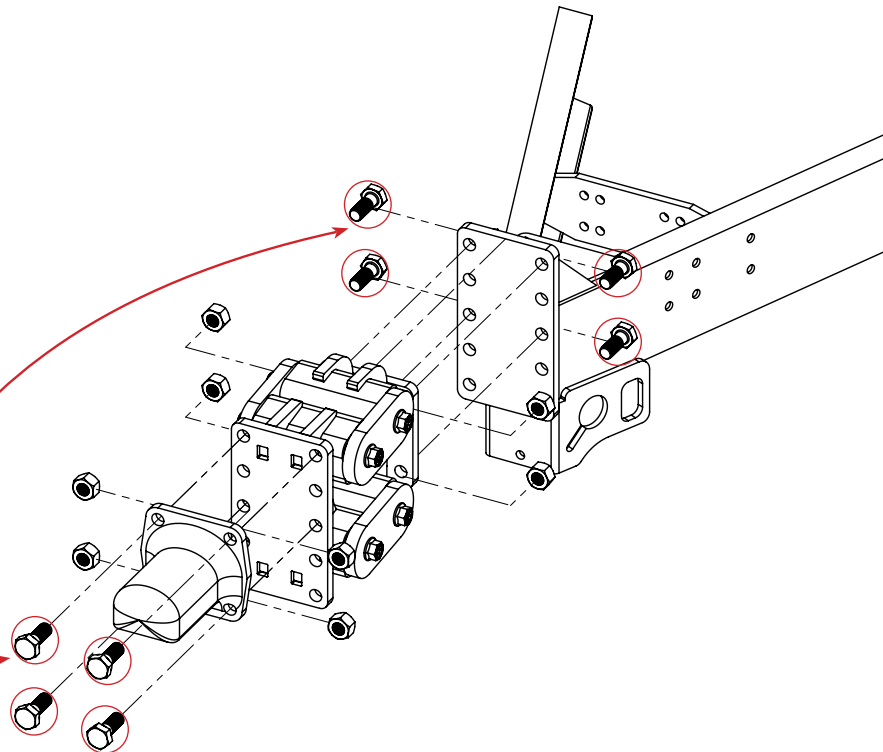


← Max tongue weight

← Min tongue weight

$\frac{3}{4}$ " x $1\frac{1}{2}$ " Grade 8 bolts

282 ft. LB. TORQUE



AVERAGE BREAK-IN PERIOD: 500 MILES

*GEN-Y Hitch "shall not" be held responsible for any or all "compatible parts or products" being used or being utilized for towing with or around GEN-Y Hitch.

*GEN-Y Hitch shall never be altered in any circumstances or for any reason and will void any warranties if done so.