



FORD PERFORMANCE

M-6766-A50 2015-2016 Mustang Oil Separator

NO PART OF THIS DOCUMENT MAY BE REPRODUCED WITHOUT PRIOR AGREEMENT AND WRITTEN PERMISSION OF FORD PERFORMANCE PARTS

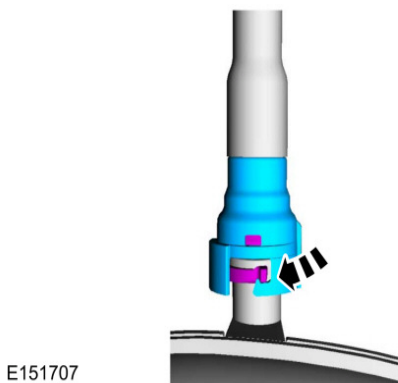
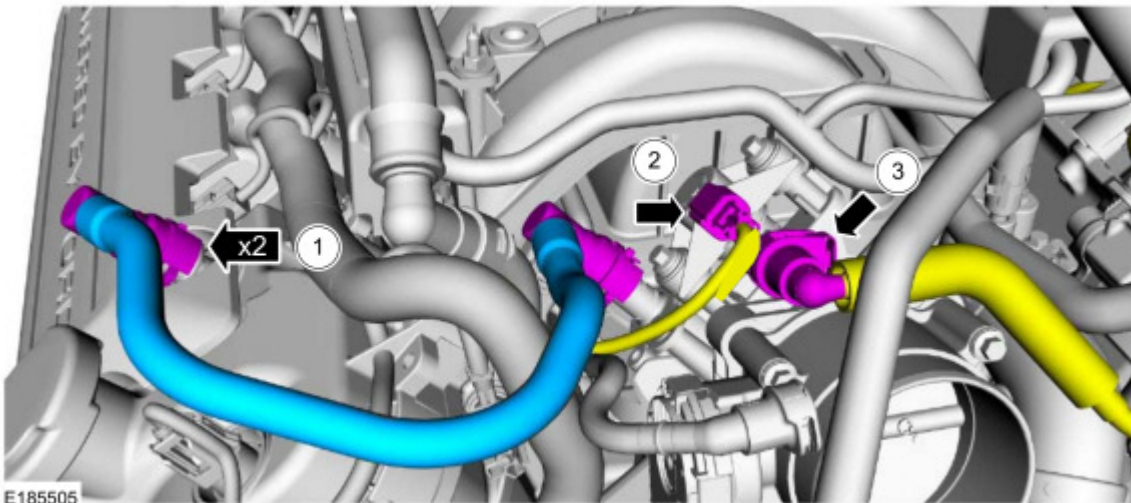
Please visit www.fordracingparts.com for the most current instruction and warranty information.

PLEASE READ ALL OF THE FOLLOWING INSTRUCTIONS CAREFULLY PRIOR TO INSTALLATION. AT ANY TIME YOU DO NOT UNDERSTAND THE INSTRUCTIONS, PLEASE CALL THE FORD PERFORMANCE TECHLINE AT 1-800-367-3788

Kit contents:

- 1 - Oil separator
- 2 - Hoses
- 2 - Push pins

Step 1. Remove breather hose labeled #1



Factory Ford shop manuals are available from Helm Publications, 1-800-782-4356



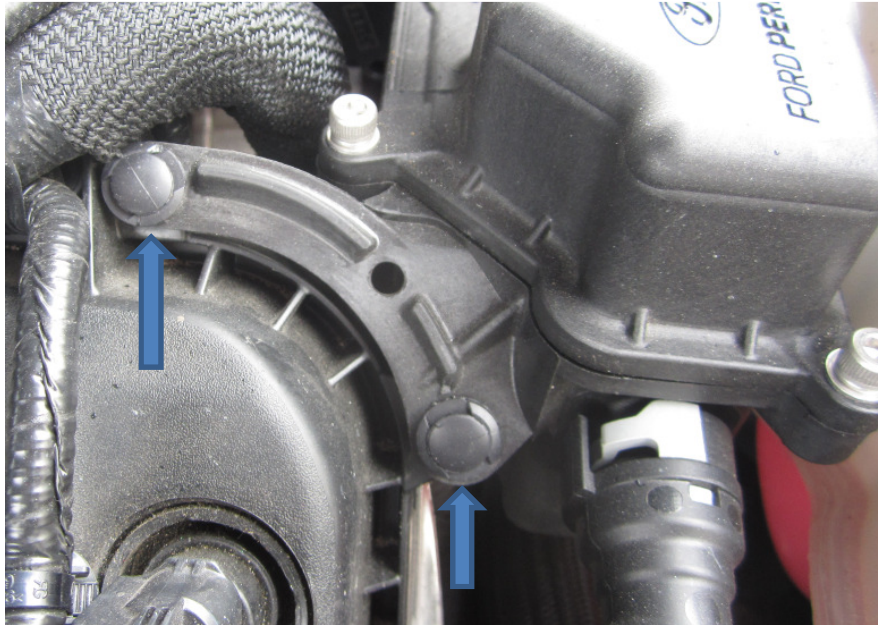
FORD PERFORMANCE

M-6766-A50 2015-2016 Mustang Oil Separator

NO PART OF THIS DOCUMENT MAY BE REPRODUCED WITHOUT PRIOR AGREEMENT AND WRITTEN PERMISSION OF FORD PERFORMANCE PARTS

Step 2. Remove electrical harness from valve cover. (on GT350 installations additional adjustments of the electrical harness is necessary to clear oil separator)

Step 3. Install oil separator using the 2 push pins provided



Factory Ford shop manuals are available from Helm Publications, 1-800-782-4356



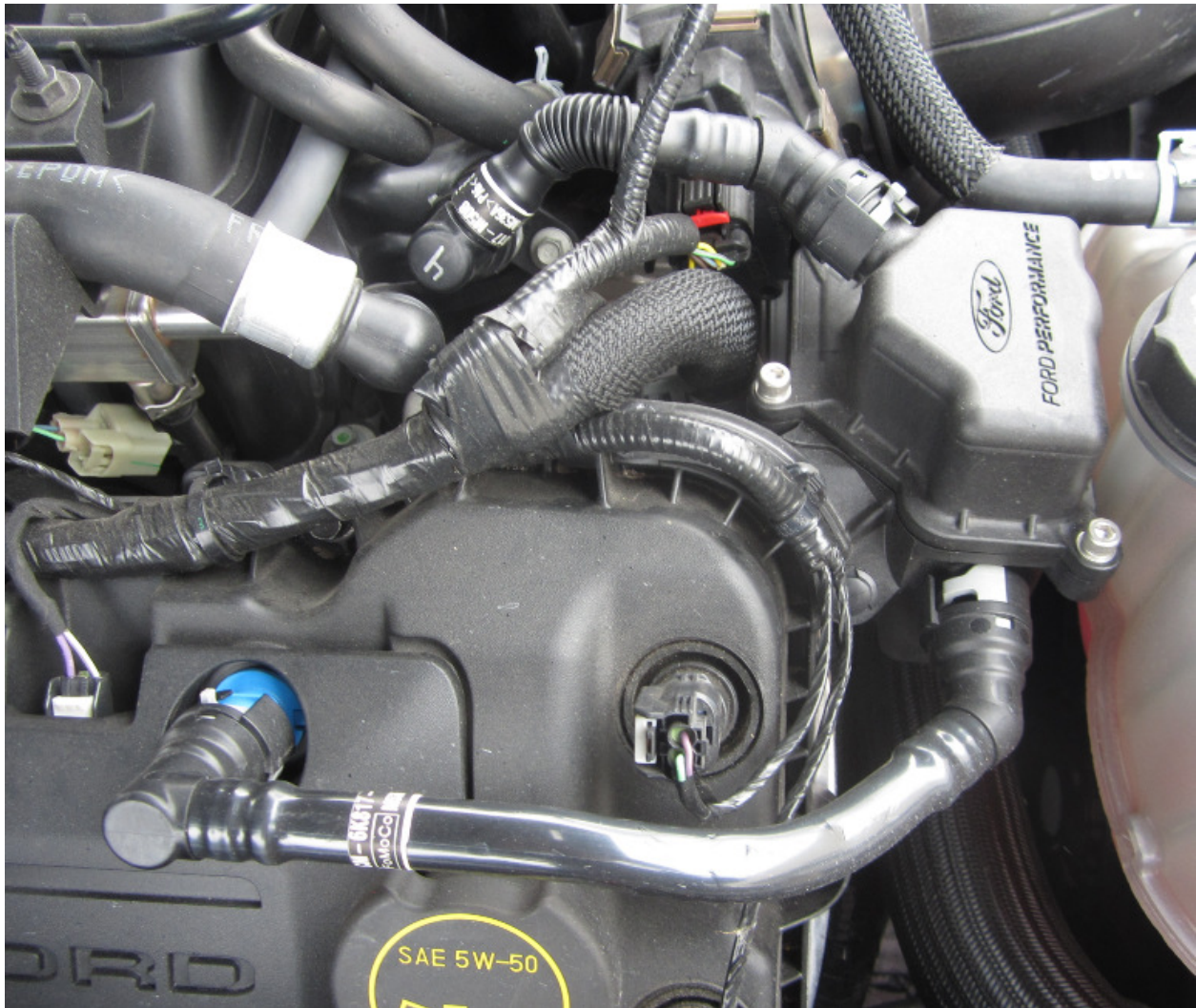
FORD PERFORMANCE

M-6766-A50 2015-2016 Mustang Oil Separator

NO PART OF THIS DOCUMENT MAY BE REPRODUCED WITHOUT PRIOR AGREEMENT AND WRITTEN PERMISSION OF FORD PERFORMANCE PARTS

Step 4. Reinstall electrical harness onto oil separator bracket.

Step 5. Install 2 breather hoses



Maintenance is based on the type of driving the vehicle is subjected to.

Track type driving will require more frequent checks for accumulation of oil in the separator.

Remove separator and tilt so to empty oil out from the **lower** fitting. Do not empty from upper fitting!

If removal of the top cover is required, when reinstalling torque socket head screws to 4.5 to 5 Nm.

Factory Ford shop manuals are available from Helm Publications, 1-800-782-4356