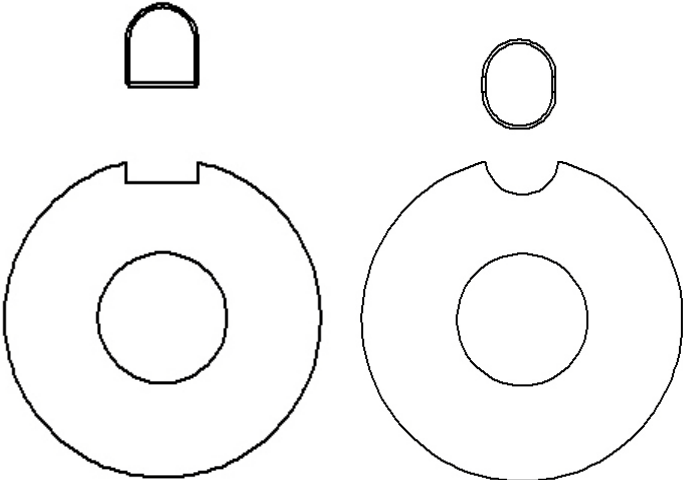


Fluidampr 551221 VR6 Crankshaft Key Installation Instructions

1. Identify Crankshaft Keyway Type. Use Key Pictured With Crankshaft Keyway Styles Shown Below:



2. Coat Selected Key with Anti-Seize or Grease. Place Key on Fluidampr Counter Bore Face Against Keyway. Orient Square Key As Shown in Fig. #1. With a Soft Punch, Gently Tap Key Until Fully Seated as Shown in Fig. #2:

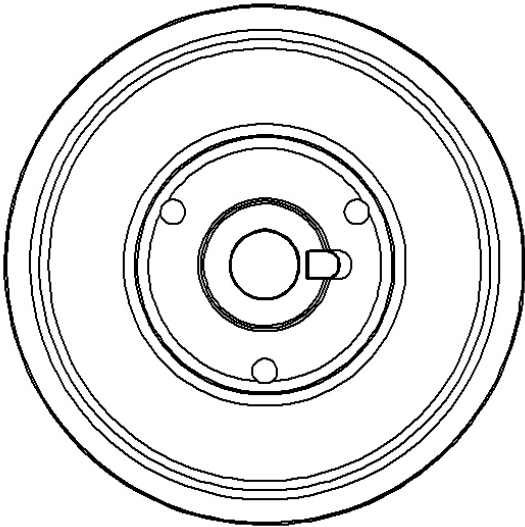


Fig. #1

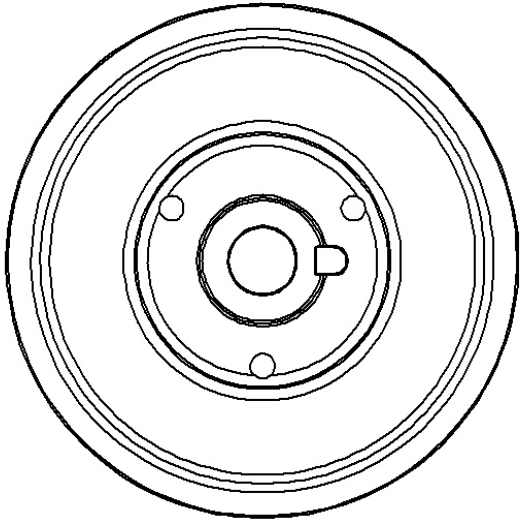


Fig. #2