



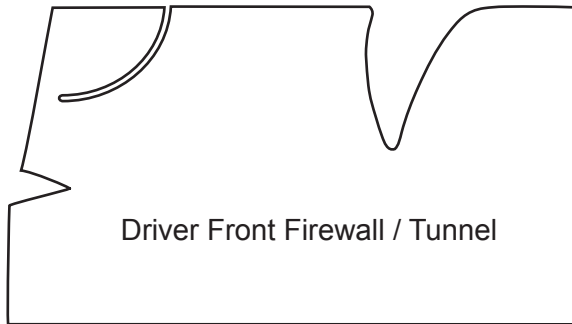
1967-1972 MOPAR - Floor

Part # - XMO A1 F

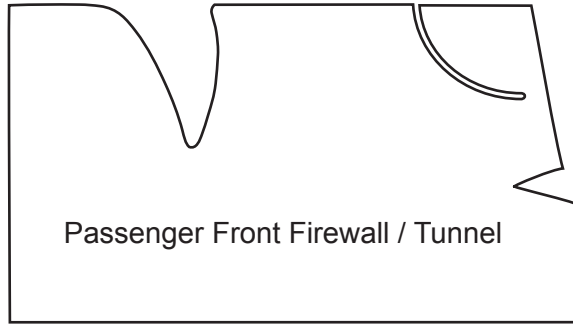
Dodge Dart / Plymouth Barracuda (to 69) / Plymouth Valiant
Coupe / Convertible

Install all parts on floor of vehicle as shown.

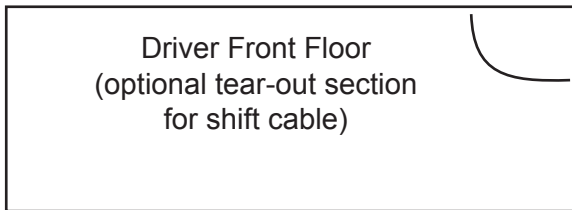
Front Of Vehicle



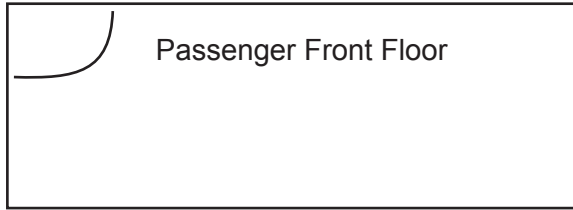
Driver Front Firewall / Tunnel



Passenger Front Firewall / Tunnel

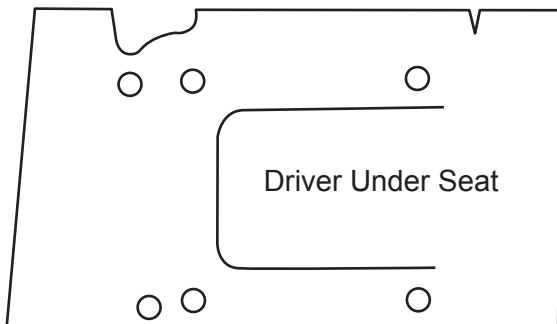


Driver Front Floor
(optional tear-out section
for shift cable)

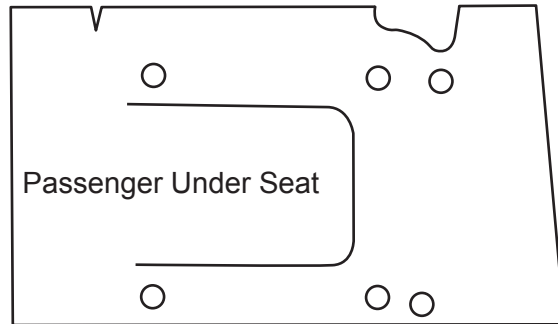


Passenger Front Floor

Driver Side



Driver Under Seat

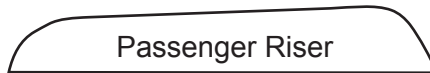


Passenger Under Seat

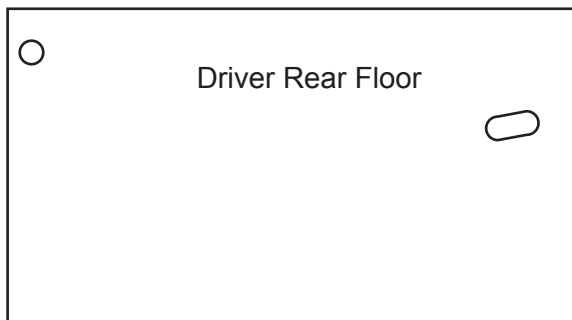
Passenger Side



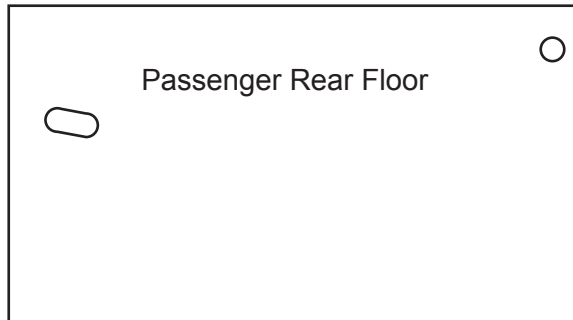
Driver Riser



Passenger Riser



Driver Rear Floor



Passenger Rear Floor

Rear

WARRANTY:

Dynamat guarantees the contents of the container only for a period of one year from the date of purchase. If product is found to be defective, replacement material will be furnished free of charge or a refund of the material cost will be given at manufacturer option. Due to the fact that Dynamat has no control over proper surface preparation, application or installation methods, no guarantee as to results is offered, expressed, or implied. Dynamat's liability for claims of any kind is strictly limited to the purchase price of the material.