



INSTALLATION INSTRUCTIONS FLUID CONTROL THERMOSTAT W/ BRACKET PART # 25791

Please read these instructions completely before starting the installation.

KIT CONTENTS

QTY. DESCRIPTION

- 1 Fluid Control Thermostat - 3/8" NPT Ports
- 1 Mounting Bracket
- 4 1/4-20 x 3/8" Stainless Bolts
- 4 #14 Sheet Metal Screws

TOOLS NEEDED

- | | |
|-----------------------|-----------------|
| Standard Screw Driver | Marker |
| Thread Sealant Tape | Drill |
| Open End Wrench's | 3/16" Drill Bit |
| Allen Wrench | |

RECOMMENDED FOR

Transmissions Engines

IMPORTANT

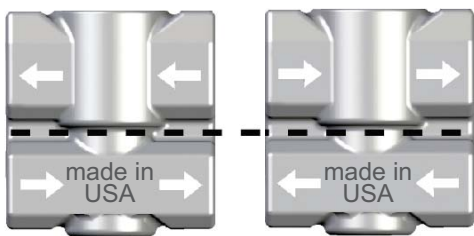
The Fluid Control Thermostat can be mounted in any position. Reference Diagram # 1 & 2 to insure the direction of oil flow is correct.

How It Works:

When the oil is cool the valve is in the open position, allowing oil to be applied equally to both the inlet and outlet of the cooler, preventing oil flow through the cooler. As the oil temperature approaches 180°F the valve begins to close, forcing all of the oil to flow through the cooler and return through the valve to the source. This fail-safe design insures full oil flow to the source regardless of whether the valve is open or closed. The cooler remains full of oil at all times, eliminating pressure variations, aeration and foaming of the oil.

Diagram #1

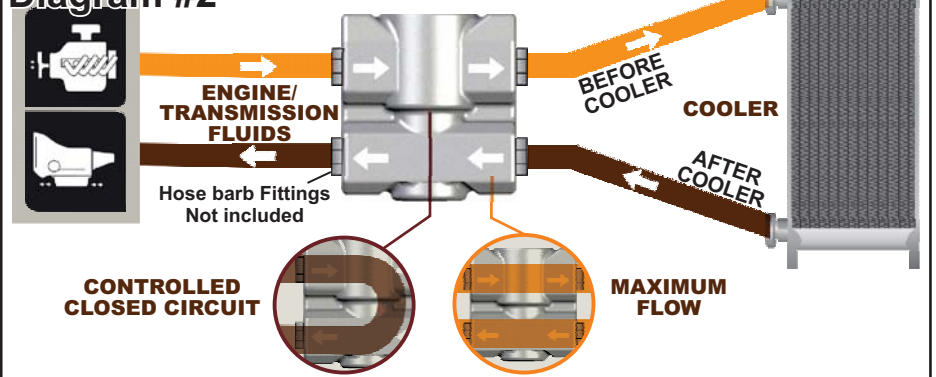
BEFORE COOLER



AFTER COOLER

Diagram #2

THERMOSTAT



MOUNTING LOCATION

Choose a convenient location on the vehicles frame, firewall, core support or sub frame.

BRACKET INSTALLATION

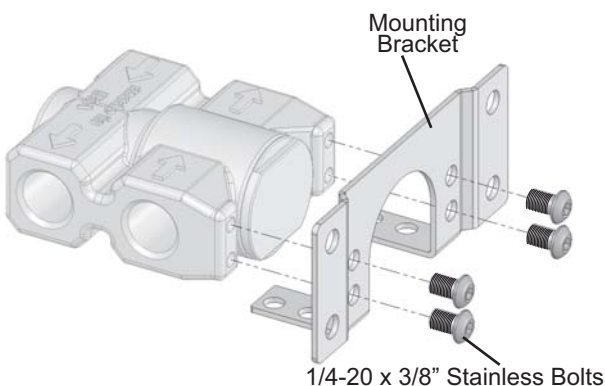
- Using the four 1/4-20 x 3/8" Stainless Bolts, attach the Mounting Bracket to the fluid control thermostat in the desired orientation. (See Diagram #1)

NOTE: Thread Sealant Tape or suitable sealant can be used for a more permanent installation.

- Using the Mounting Bracket Assembly as a template, mark and drill four 3/16" holes in the desired location.
- Using the four #14 Sheet Metal Screws, attach the Mounting Bracket Assembly.

Diagram #1

Option 1



Option 2

