



# INSTALLATION INSTRUCTIONS ENGINE SANDWICH ADAPTER KIT PART # 25782

Please read these instructions completely before starting the installation.

### KIT CONTENTS

QTY. DESCRIPTION	QTY. DESCRIPTION
1 Sandwich Adapter	1 3/4-16 Sleeve Nut (Yellow)
1 2 3/4" O-ring	1 18mm Sleeve Nut (White)
1 Adapter Plate	1 20mm Sleeve Nut (Black)
1 3 1/2" O-ring	1 22mm Sleeve Nut (Green)
	1 13/16-16 Sleeve Nut (Blue)
	1 13/16-16 Sleeve Nut (Red)

### TOOLS NEEDED

Standard Screw Driver or 5/16" Nut Driver	11/16" Open End Wrench
Dyke Pliers	1 1/8" Socket
Torque Wrench	Thread Sealant Tape

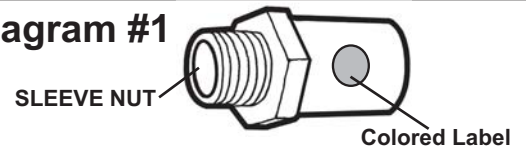
### IMPORTANT

This kit is designed to fit all vehicles with engine block oil filter landings ranging from 2 3/4" to 3 1/2", which represents 75% of all vehicles. For vehicles with 2 1/2" oil filter landings, please visit [www.deral.com](http://www.deral.com) for alternative Sandwich Adapter Kits.

### IMPORTANT

In most cases the Factory Oil Filter will work with the supplied sandwich adapter. In some applications where the frame or exhaust system interferes with the new filter depth we recommend using a shorter filter length. See chart below for possible filter options.

### Diagram #1



THREAD SIZE	LABEL COLOR	FRAM FILTER HEIGHT	FRAM P/N	WIX FILTER HEIGHT	WIX P/N	FRAM FILTER HEIGHT	FRAM P/N	WIX FILTER HEIGHT	WIX P/N
3/4-16	YELLOW	4.92	PH3600	4.83	51516	3.34	PH3614	3.4	51348
13/16-16	BLUE/RED	4.94	PH3429	4.83	51045	3.36	Ph3506	3.4	51042
18mm x 1.5	WHITE	4.94	PH3980	4.83	51036	3.36	PH3387A	3.4	51040
20mm x 1.5	BLACK	3.47	N/A	N/A	N/A	3.39	PH3950	3.14	51381
22mm x 1.5	GREEN	4.94	PH3750	4.57	57026	3.98	PH2	3.43	57060

### SELECTING COMPONENTS

The components supplied in this kit are for multiple applications. Some components will not be used for your specific application. To easily select the correct components for your application, follow the steps below. Then proceed to the SANDWICH ADAPTER INSTALLATION section.

#### Selecting the Sandwich Adapter and/or Adapter Plate

The Adapter Plate & O-ring are designed to fit vehicles with a 3 1/2" filter landing. Primarily 1963-2007 GM SB & BB V-8 engines.

- Remove the factory oil filter from the vehicle.
- Using a rag, clean the oil filter landing on the engine.
- Take the supplied Sandwich Adapter and Adapter Plate.
- To determine if your application uses the supplied Adapter Plate, first hold the Adapter Plate up to the oil filter landing on the engine block. The casting needs to seat directly onto the landing without obstruction. If the Adapter Plate is too large, then disregard the Adapter Plate and O-ring. (See Diagram #3)
- Take the supplied Sandwich Adapter and hold it up to the oil filter landing on the engine block. The casting needs to seat directly onto the landing without obstruction. (See Diagram #2)

#### Selecting the Sleeve Nut

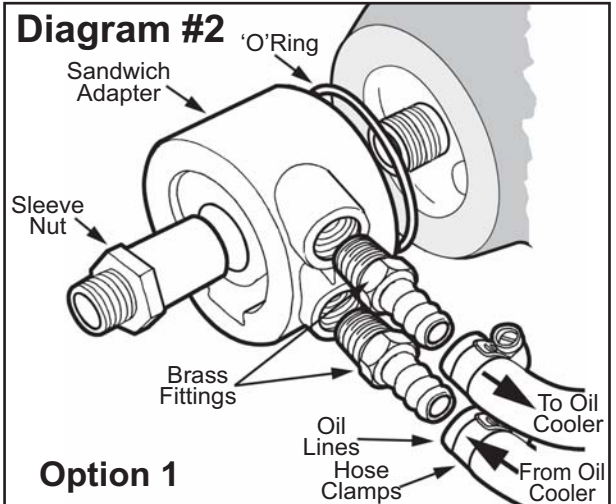
There are 6 supplied Sleeve Nuts in this kit. Only 1 Sleeve Nut will be used for your application.

**Note:** For reference purposes Sleeve Nuts are color coded. (See Diagram #1)

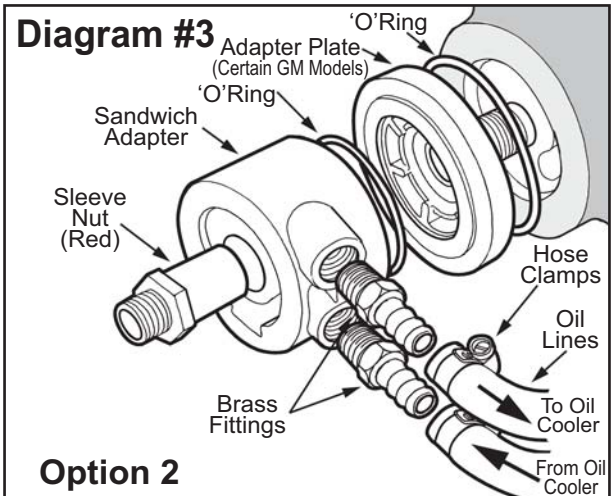
- The Red Sleeve Nut is ONLY used when the Adapter Plate is being used. If you have previously determined that your application will use the Adapter Plate then disregard the 5 remaining Sleeve Nuts. If you are not using the Adapter Plate, please disregard the Red Sleeve Nut.
- Using the remaining 5 supplied Sleeve Nuts, try and screw each Sleeve Nut onto the filter nipple on the engine block until the correct size will completely thread onto the nipple. Once you have located the correct Sleeve Nut, disregard the remaining 4 Sleeve Nuts.

(Continues on Page 2)

### Diagram #2



### Diagram #3



### **SANDWICH ADAPTER INSTALLATION**

1. Take the Sandwich Adapter and two 3/8" NPT x 1/2" Hose Barbs (Sold separately), Using Thread Sealant Tape or suitable sealant, install the hose barb fittings onto the Sandwich Adapter.
2. Take the pre-determined Sleeve Nut. Make a note of the Colored Label on the Sleeve Nut. This will allow you to reference oil filter options if necessary.
3. Remove the Colored Label from the Sleeve Nut.
4. Apply a light coat of oil onto the O-ring(s).
5. Take the O-ring(s) and install onto the Sandwich Adapter and Adapter Plate (if used).
6. Making sure the filter landing is clean from oil and dirt, take the Sleeve Nut, Sandwich Adapter, O-ring(s) and Adapter Plate (if used) and install onto the engine sliding the Sleeve Nut thru the Sandwich Adapter. Turn the Sleeve Nut clockwise onto the engines filter nipple. (See Diagram #2 & 3)
7. Using a Torque Wrench, torque the Sleeve Nut to 20 ft. Lbs.

### **ROUTING HOSES (HOSE SOLD SEPARATELY)**

1. Install both ends of the hose onto the Hose Barb Fittings, forming a loop.
2. Take the looped end and route the hose to the oil cooler making sure to stay clear of sharp objects, exhaust systems, etc.  
**Note:** All bends in hose need to have a minimum radius of 5" or the diameter of a small coffee can.
3. Cut and attach hoses to the oil cooler. Secure hoses using zip ties.

### **VEHICLE TESTING**

1. Start the engine and quickly check all connections for leaks.
2. Turn-off the engine and check oil level.
3. Add oil as needed.

**Warning:** Installation of accessories should only be undertaken by those with mechanical knowledge and are familiar with working on vehicles. Always use eye protection (goggles, safety glasses or shield). Park the vehicle in a well lit area, on level ground and apply the parking brake. Only work on a cold vehicle that has been sitting overnight, failure to do so will result in severe burns and injury. Before starting the vehicle, make sure no tools or any other items are left under hood that could interfere with or be drawn into moving parts of the engine. Failure to follow instructions can lead to severe damage and personal injury.