



# INSTALLATION INSTRUCTIONS HIGH OUTPUT SINGLE RAD FAN PART # 16920

Please read these instructions completely before beginning installation

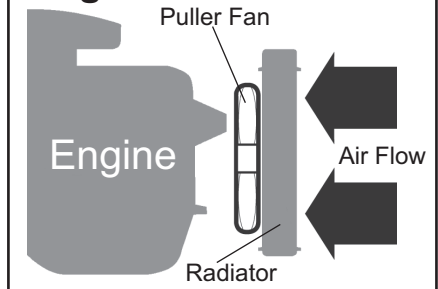
## KIT CONTENTS

QTY.	DESCRIPTION	QTY.	DESCRIPTION
1	Fan Shroud Assembly	4	Mounting Clips
4	Mounting Rods	4	1x1 Foam Pads
4	Rubber Isolators		

## TOOLS NEEDED

12V Test Light  
Wire Stripper  
Crimping Tool

## Diagram #1



## IMPORTANT

This fan assembly is designed for PULLER APPLICATIONS.

Note: Replacement fan for A11 Derale shrouded fans.

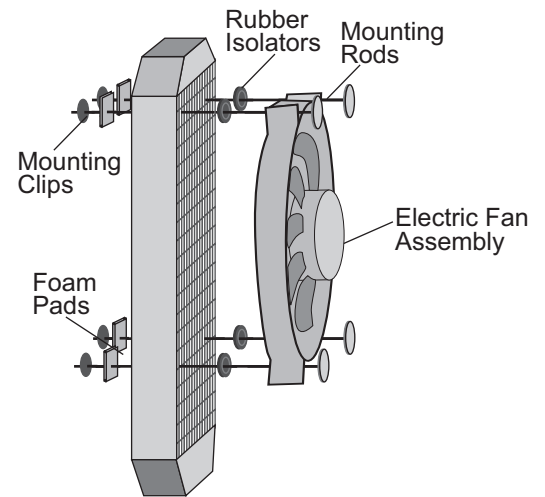
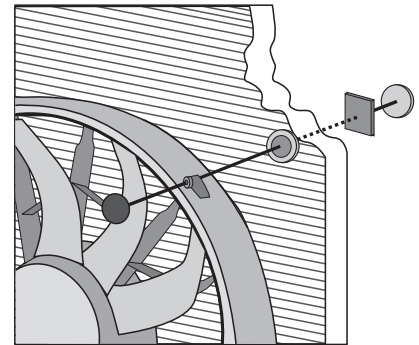
## MOUNTING

1. Position the Electric Fan in the desired location. Note the location and remove fan.
2. Take the four Rubber Isolators and four Mounting Rods supplied. Using one Mounting Rod at a time, install the Mounting Rod through the Electric Fan, then through the Rubber Isolator and finally through the Radiator Core. (See Diagram #2)

**Caution:** Do not use excessive force when pushing Mounting Rods through radiator core. Excessive force could cause damage to the radiator fins and/or core. Plastic Rods should not be inserted thru both the radiator and the condenser cores.

3. Take the 1 x 1 Foam Pads provided and install them onto the Plastic Rods now protruding through the radiator core. (See Diagram #2)
4. Take the Mounting Clips provided, making sure they are in the correct direction (Derale writing out) install onto the Plastic Rods and cinch them until the 1 x 1 Foam Pads are compressed. (See Diagram #2)
5. Cut off the excess Mounting Rods.

## Diagram #2



## WIRING

### TIPS

Always disconnect vehicles battery before beginning installation involving your vehicles electrical system.

All 12 Volt Positive leads require the use of the appropriate fuse load rating to avoid damage to your vehicles electrical system.

Always insist on using only high quality components (wire, connectors, and switch) for use in installation of your new Derale Electric Fan Assembly.

**BLUE Wire** - Attach to the Positive side of Battery (+)

**BLACK Wire** - Attach to a good Chassis ground (-)

## TROUBLESHOOTING Q&A

Q: Why is the fan(s) blowing in the wrong direction?

A: Switch the Positive (+) and Negative (-) fan leads. This will reverse the airflow direction.

Q: Why doesn't the fan(s) turn on?

A: 1. Check all connections to make sure all contacts are crimped correctly.

2. Check all Ground (-) connections to make sure all paint is sanded off and you are getting a metal to metal contact.

**Warning:** Installation of accessories should only be undertaken by those with mechanical knowledge and are familiar with working on vehicles. Always use eye protection (goggles, safety glasses or shield). Park the vehicle in a well lit area, on level ground and apply the parking brake. Only work on a cold vehicle that has been sitting overnight, failure to do so will result in severe burns and injury. Before starting the vehicle, make sure no tools or any other items are left under hood that could interfere with or be drawn into moving parts of the engine. Failure to follow instructions can lead to severe damage and personal injury.