



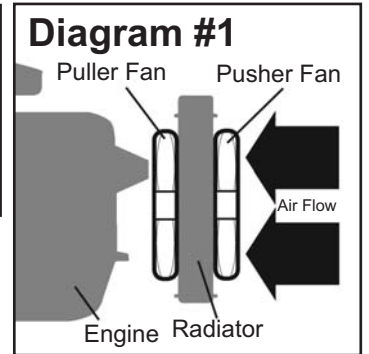
# INSTALLATION INSTRUCTIONS ELECTRIC FAN KIT PART # 16908-16916

Please read these instructions completely before beginning installation

KIT CONTENTS	
QTY.	DESCRIPTION
1	Electric Fan Assembly
4	Mounting Rods
4	Mounting Clips
4	1x1 Foam Pads
4	Mounting Feet

TOOLS NEEDED
Standard Screw Driver
12V Test Light
Wire Stripper
Crimping Tool
Dyke Pliers

**IMPORTANT**  
This fan assembly is designed for both **PUSHER** and **PULLER** applications. To change airflow direction from the factory setting, you **MUST** follow the directions below or performance will be compromised. (See Diagram #1)



## PRE-INSTALLATION

**Important:** All Dyno-Cool Electric Fans come with a product label factory installed on one end of the fan shroud. Before installation check the product label to confirm airflow direction. Airflow direction will be shown with an arrow.

### 8", 10", 12" & 14" Fans

Factory setup for **PULLER** applications

### 16" Fan

Factory setup for **PUSHER** applications

### Changing airflow direction (10", 12", 14" & 16" Fans Only)

To change the airflow direction from the factory setting:

1. Remove the Nut or Clip that holds the electric fan blade onto the motor shaft.
2. Carefully remove the fan blade from the motor shaft.

**Note:** This is an interference fit and requires some effort.

3. Flip the fan blade upside down and reinstall onto the motor shaft. Make sure the roll pin on the motor shaft is aligned with the slot on the fan blade.
4. Reinstall nut or clip on motor shaft.

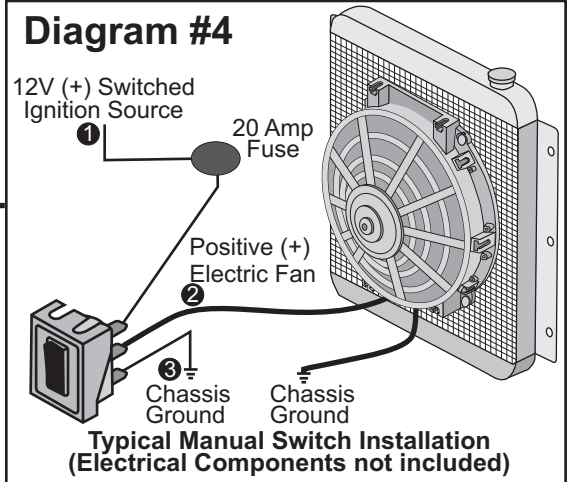
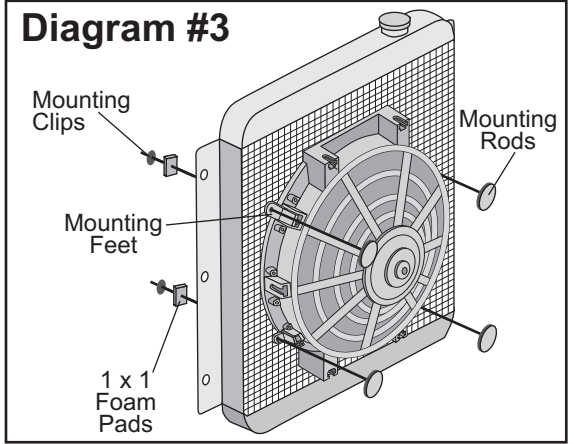
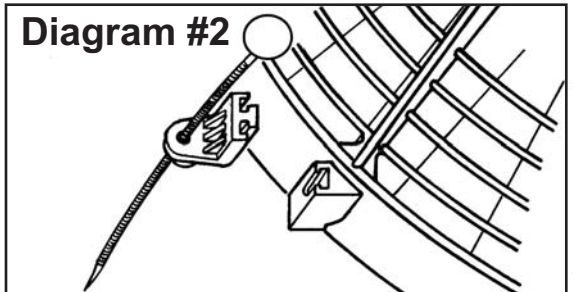
**Important:** For Puller applications use the referenced wire colors stated on the Product Label. For Pusher applications the two wires **MUST** be reversed to change airflow direction.

## ELECTRIC FAN MOUNTING

1. Take the four supplied Mounting Feet and install them onto the Fan Shroud in the desired locations around the perimeter of the shroud. (See Diagram #2)
2. Position the Fan Assembly against the radiator or air conditioning condenser.
3. Take the four Mounting Rods and carefully install them through the Mounting Feet and then through EITHER the radiator or air conditioning condenser. (See Diagram #2 & 3)

**Caution:** Do not use excessive force when installing Mounting Rods; damage to the radiator or condenser tubes could occur.

4. Take the four 1 x 1 Foam Pads and remove the paper backing. Now install them (sticky side toward the core) onto the Mounting Rods now protruding through the radiator or air conditioning condenser. (See Diagram #3)
5. Take the four Mounting Clips supplied and install them onto the Mounting Rods. The Mounting Clips can only be used one time, so make sure the Fan Assembly is in the correct location. (See Diagram #3)
6. Secure Mounting Clips until 1 x 1 Foam Pads are slightly compressed.
7. Cut off any excess Mounting Rod.



## WIRING INSTRUCTIONS

**Note:** The Electric Fan Assembly can be activated using a Manual Switch or Thermostat. (See Diagram #4 for wiring with Manual Switch use)

For Thermostat options please visit [www.derale.com](http://www.derale.com).

Reference the product label on the Electric Fan shroud to determine the factory Positive (+) and Negative (-) wire colors.

**Important:** For Puller applications use the referenced wire colors stated on the Product Label. For Pusher applications the two wires **MUST** be reversed to change airflow direction. (10", 12", 14" & 16" Fans Only)

**Warning:** Installation of accessories should only be undertaken by those with mechanical knowledge and are familiar with working on vehicles. Always use eye protection (goggles, safety glasses or shield). Park the vehicle in a well lit area, on level ground and apply the parking brake. Only work on a cold vehicle that has been sitting overnight, failure to do so will result in severe burns and injury. Before starting the vehicle, make sure no tools or any other items are left under hood that could interfere with or be drawn into moving parts of the engine. Failure to follow instructions can lead to severe damage and personal injury.