



# INSTALLATION INSTRUCTIONS OIL FILTER RELOCATION KIT PART # 13005

Please read these instructions completely before beginning installation

## KIT CONTENTS

QTY.	DESCRIPTION
1	Ports Up Filter Mount
1	Filter Nipple
2	3/8" NPT x 3/8" Hose Barb
3	#14 Sheet Metal Screws

## TOOLS NEEDED

11/16" Open End Wrench
Drill
3/16" Drill Bit
Teflon Tape

## IMPORTANT

This Filter Mount is machined with 3/8" NPT Ports and requires Teflon Tape or a suitable sealant. Torque value is 25-28ft lbs. Be sure not to over torque ports.

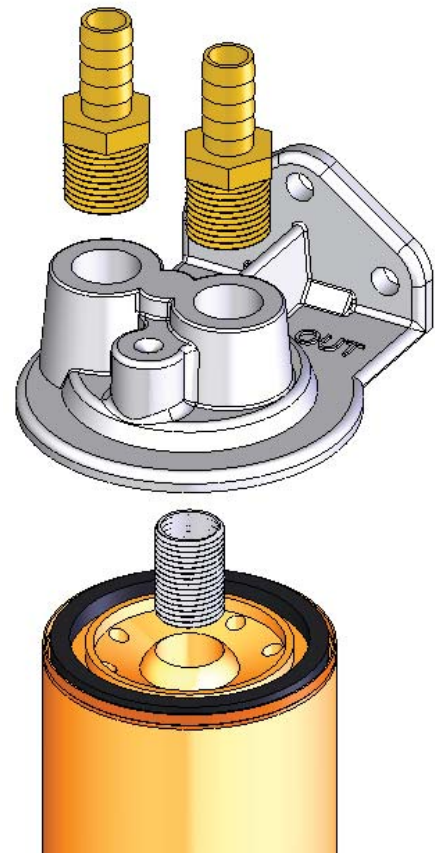
## FILTER MOUNT INSTALLATION

1. Choose a convenient location for the Ports-Up Filter Mount. Make sure there is enough space for future servicing of the oil filter. Suggested Locations: Firewall, Radiator Support, Fender well
2. Take the Filter Nipple supplied, making sure the shorter end of threads is installed onto the Ports-Up Filter Mount. (See Diagram #1)
3. Using the filter mount as a template, mark and drill three 3/16" holes.
3. Using the #14 Sheet Metal Screws provided, install the Ports-Up Filter Mount onto the vehicle.
4. Carefully route hose over to the Ports-Up Filter Mount.  
**Note:** Keep hoses away from sharp edges, moving parts and exhaust. Do not bend hose sharper than a 5" radius.
5. Apply a light coat of oil onto the o-ring of your new oil filter and install on the filter mount.

## VEHICLE TESTING

1. Start the engine and quickly check all connections for leaks.
2. Turn-off the engine and check the oil.
3. Add oil as needed.

Diagram #1



**Warning:** Installation of accessories should only be undertaken by those with mechanical knowledge and are familiar with working on vehicles. Always use eye protection (goggles, safety glasses or shield). Park the vehicle in a well lit area, on level ground and apply the parking brake. Only work on a cold vehicle that has been sitting overnight, failure to do so will result in severe burns and injury. Before starting the vehicle, make sure no tools or any other items are left under hood that could interfere with or be drawn into moving parts of the engine. Failure to follow instructions can lead to severe damage and personal injury.