

INSTALLATION MANUAL

70131

Level of Difficulty

Easy

Installation difficulty levels are based on time and effort involved and may vary depending on the installer level of expertise, condition of the vehicle and proper tools and equipment.

Installed Attachment Tabs

Height	19"
Width	33-1/2"

Parts List

Item	Qty	Description
1	1	Tow bar base plate, driver
2	1	Tow bar base plate, passenger
3	2	Tow bar mounting tab
4	2	Spacer, large
5	2	Spacer, round
6	2	Safety cable, 7,500 lbs.
7	4	Carriage bolt, 1/2"-13 x 1-1/2", grade 8
8	2	Hex bolt, 1/2"-13 x 5", grade 8
9	6	Serrated-flange nut, 1/2"-13, grade 8
10	2	Conical-toothed lock washer, 1/2"
11	4	Fishwire, 1/2"
12	2	Socket plug
13	2	Quick link, 1/2"

Tools Required

Torque wrench	Wrench, 3/4"
Socket, 7/16"	Wrench, 18mm
Socket, 3/4"	Drill
Socket, 18mm	Drill bit, 1/2"

⚠ WARNING

Never exceed the vehicle manufacturer's recommended gross vehicle weight rating (GVWR).

Product Photo



⚠ CAUTION

Take care when cutting any plastic or metal as injury may occur if done improperly.

NOTICE

Visit www.curtmfg.com for a full-color copy of this instruction manual, as well as helpful videos, guides and much more!

Before you begin installation, read all instructions thoroughly.

Proper tools will improve the quality of installation and reduce the time required.

This installation requires:

- Remove factory tow loops
- Trimming required on Denali
- Fishwiring to install hardware

To help prevent damage to the product or vehicle, refer to the specified torque specifications when securing hardware during the installation process.

If equipped, we recommend removing the base plate attachment tabs when not in use.

SAFETY INSTRUCTIONS

Safety glasses should be worn at all times while installing this product.

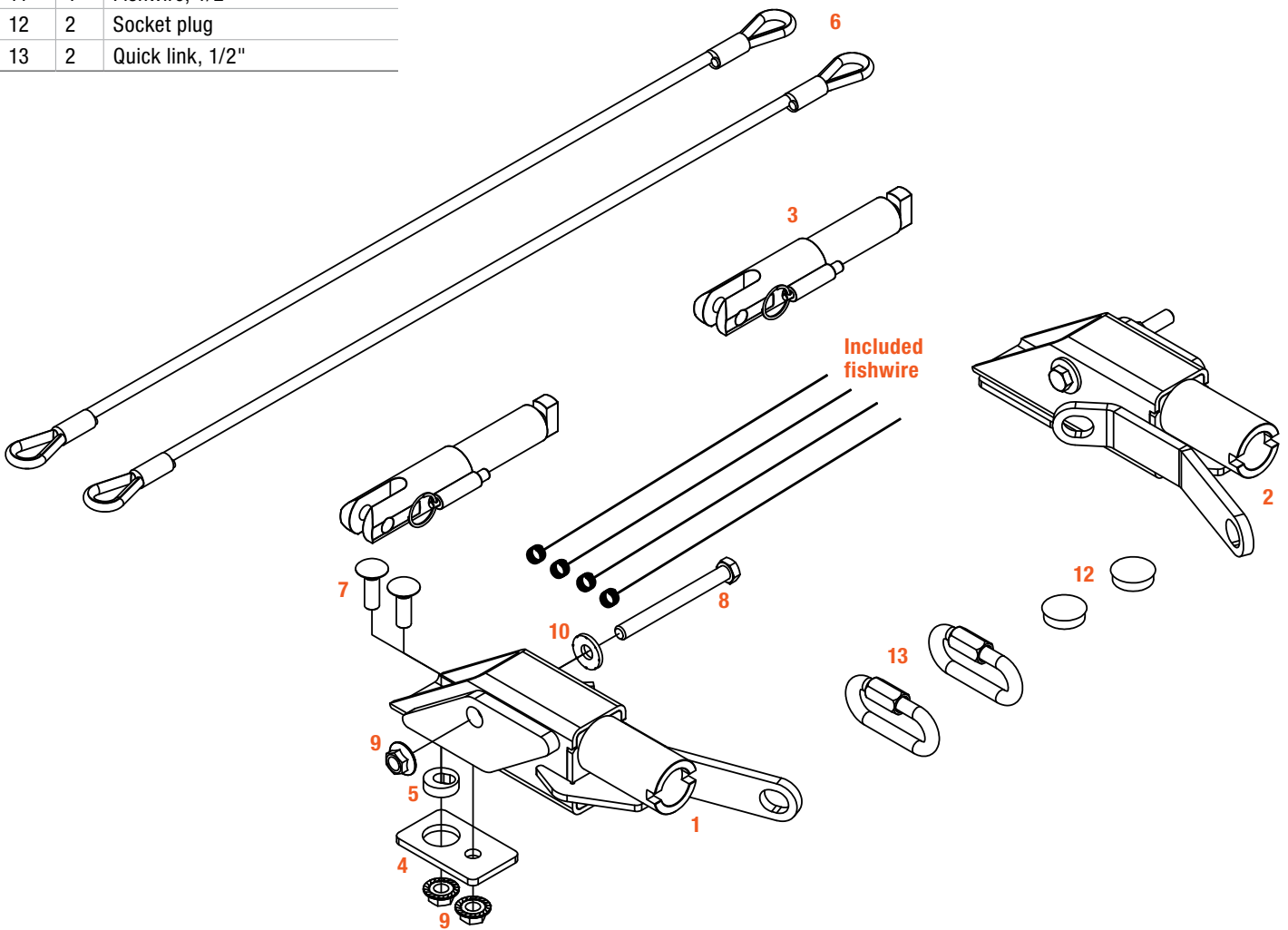
Product Registration and Warranty

CURT stands behind our products with industry-leading warranties. To get copies of the product warranties, register your purchase or provide feedback, visit: warranty.curtgroup.com/surveys

ASSEMBLY

Parts List

Item	Qty	Description
1	1	Tow bar base plate, driver
2	1	Tow bar base plate, passenger
3	2	Tow bar mounting tab
4	2	Spacer, large
5	2	Spacer, round
6	2	Safety cable, 7,500 lbs.
7	4	Carriage bolt, 1/2"-13 x 1-1/2", grade 8
8	2	Hex bolt, 1/2"-13 x 5", grade 8
9	6	Serrated-flange nut, 1/2"-13, grade 8
10	2	Conical-toothed lock washer, 1/2"
11	4	Fishwire, 1/2"
12	2	Socket plug
13	2	Quick link, 1/2"



Step 1

Remove the two bolts from the tow hook using an 18mm socket & wrench. Remove the tow hooks from the vehicle and return to vehicle owner.

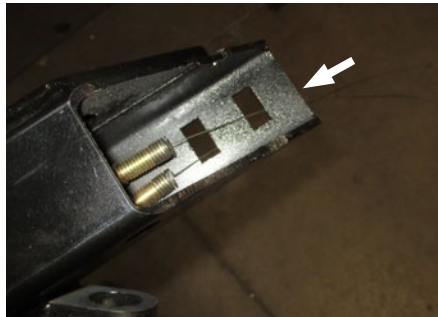
Note: On Denali models, trimming may be required on the inside of the tow hook opening on the metal trim for clearance.



Step 2

Secure the carriage bolts (#7) to the fishwires (#11) and thread them through the rectangular holes in the base plate weldments (#1, #2) so the bolts are inside the tube.

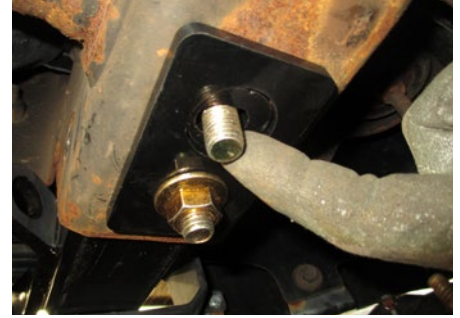
Thread the fishwires through the corresponding holes in the bottom of the frame rail.



Step 3

Slide the baseplates (#1, #2) into the end of the frame rails through the tow hook opening in the bumper. Pull the carriage bolts (#7) into position while sliding the baseplate in. Slide the round spacer (#5) into the large frame hole and slide the large spacer (#4) over both bolts.

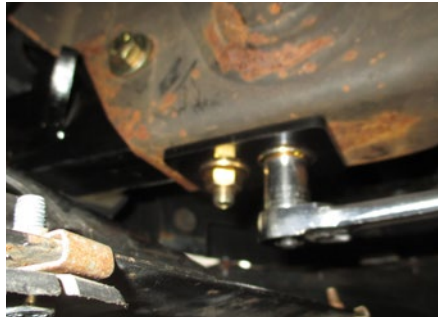
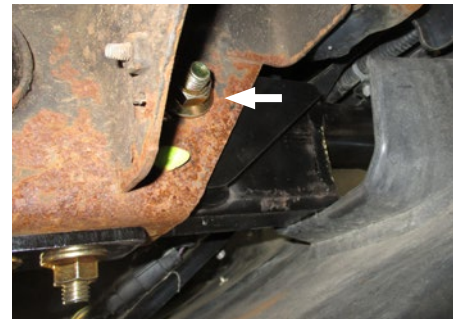
Loosely install the supplied flange nuts.



Step 4

Insert the 1/2"-13 x 5" hex bolt (#8) with conical lock washer (#10) into the side frame hole. Install a 1/2" serrated flange nut (#9) onto the bolt on the outside of the frame. Repeat on other side of vehicle.

Torque all 1/2" fasteners to 110 lb-ft.



Step 5

Install the permanent safety cables (#6) and quick links (#13), looping them around the vehicle frame and linking them to the tow bar base plates (#1,#2). There must be one cable on each side of the vehicle.

Make sure the cables do not pinch or interfere with any hoses, wiring or other components.

See 'Installing the Permanent Base Plate Safety Cables' for additional information.

When ready to tow, install the tow bar mounting tabs (#3). When not towing, insert the socket plugs (#12) into the ends of the tow bar base plates (#1,#2).



Final Installed Image



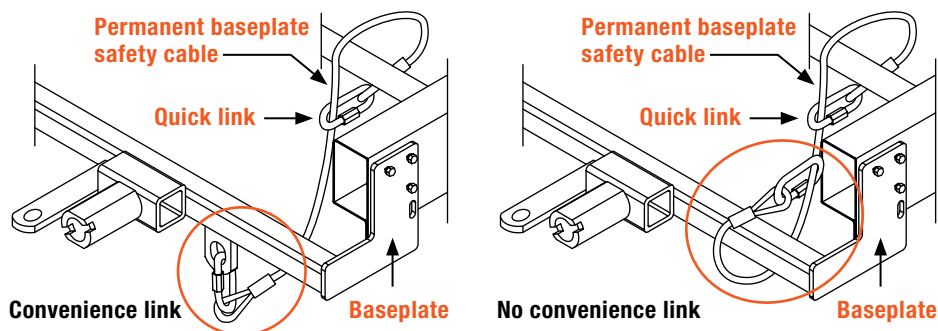
SAFETY CABLE INSTALLATION

Installing the Permanent Base Plate Safety Cables

When dinghy towing a vehicle with a tow bar, base plate safety cables should be used at all times. In the event of a disconnect, the safety cables are designed to help prevent complete vehicle separation. When installing the safety cables, use the illustrations below as a guide.

Installation guidelines

1. The cables must be connected to the base plate and the vehicle frame.
2. Two cables must be installed.
3. Each cable must meet or exceed the gross weight of the towed vehicle.
4. Make sure cables do not pinch or interfere with hoses, wiring or other components.



Note: Base plate safety cables are not a replacement for safety chains connecting the tow vehicle to the towed vehicle.

ADDITIONAL INFORMATION

Towing Tips

Check your equipment

Periodically check the condition of all towing equipment. Ensure all fasteners are tight and that all structural components are sound. Do not tow with worn or damaged parts.

Towing vehicle and trailer manufacturer's recommendations

Review the owner's manual for your towing vehicle and trailer for specific recommendations, capacities and requirements.