

INSTALLATION MANUAL

18412

Level of Difficulty

Easy

Installation difficulty levels are based on time and effort involved and may vary depending on the installer level of expertise, condition of the vehicle and proper tools and equipment.

Weight Carrying Capacity

4 bikes	180 lbs.
---------	----------

Parts List

Item	Qty	Description
1	1	Bike rack
2	1	ActiveLink shank
3	1	Hairpin clip
4	1	Lock washer, 1/2"
5	1	Flat washer, 1/2"
6	1	Anti-rattle bolt
7	8	Velcro strap

Tools Required

Wrench, 3/4"	--
--------------	----

⚠ WARNING

The tow vehicle must be equipped with a trailer hitch with 2" receiver tube opening

Check straps for wear and replace if worn

This product is not intended for off-road use, tandems or recumbents

Do not install on a trailer or other towed vehicle

Product Photo



NOTICE

Visit www.curtmfg.com for a full-color copy of this instruction manual, as well as helpful videos, guides and much more!

Before you begin installation, read all instructions thoroughly.

Proper tools will improve the quality of installation and reduce the time required.

Periodic inspection of your product should be performed to ensure all hardware and / or components remain secure.

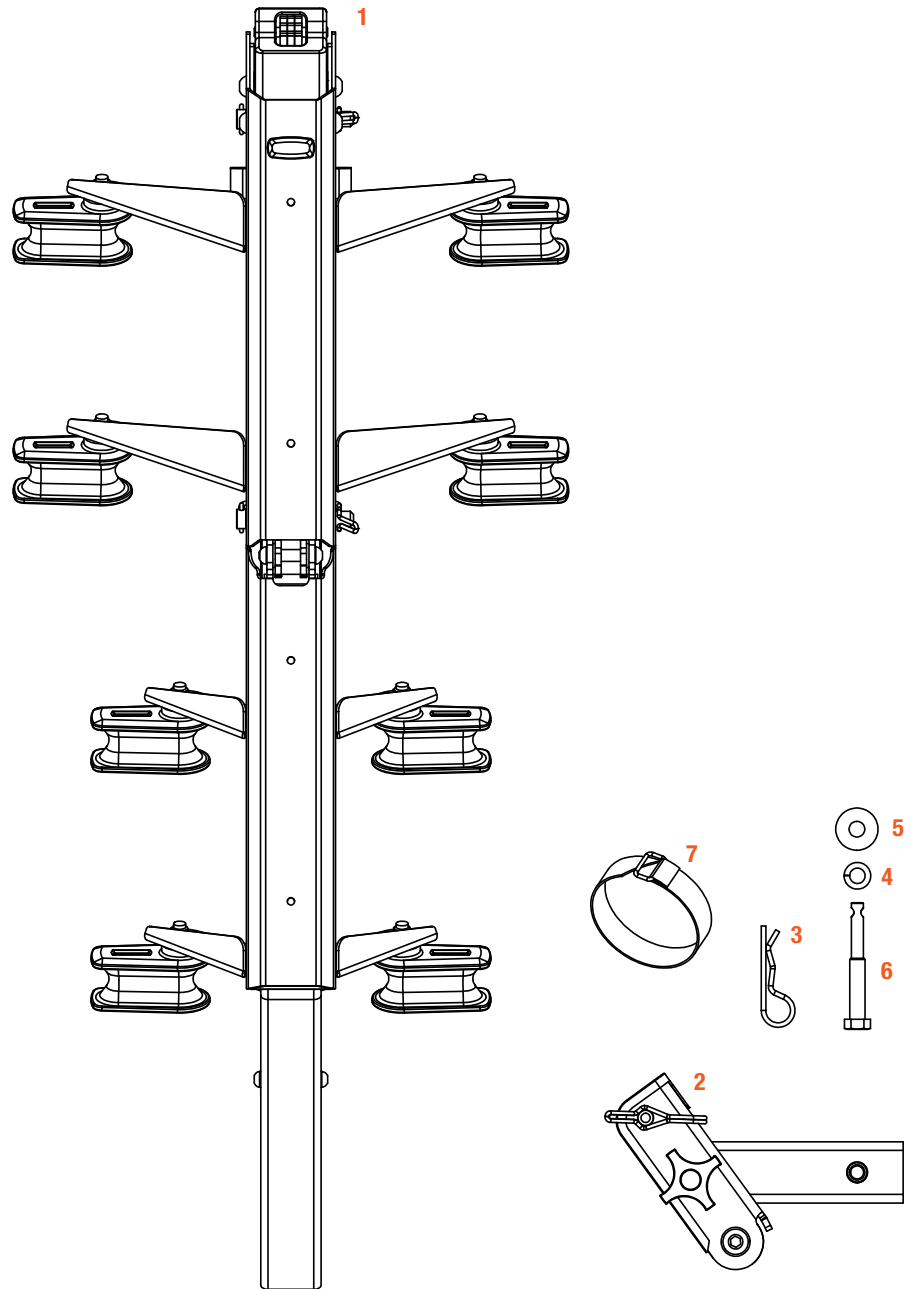
Product Registration and Warranty

CURT stands behind our products with industry-leading warranties. To get copies of the product warranties, register your purchase or provide feedback, visit: warranty.curtgroup.com/surveys

ASSEMBLY

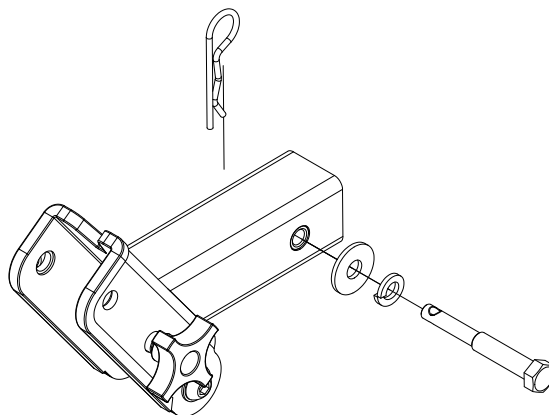
Parts List

Item	Qty	Description
1	1	Bike rack
2	1	ActiveLink shank
3	1	Hairpin clip
4	1	Lock washer, 1/2"
5	1	Flat washer, 1/2"
6	1	Anti-rattle bolt
7	8	Velcro strap



Step 1

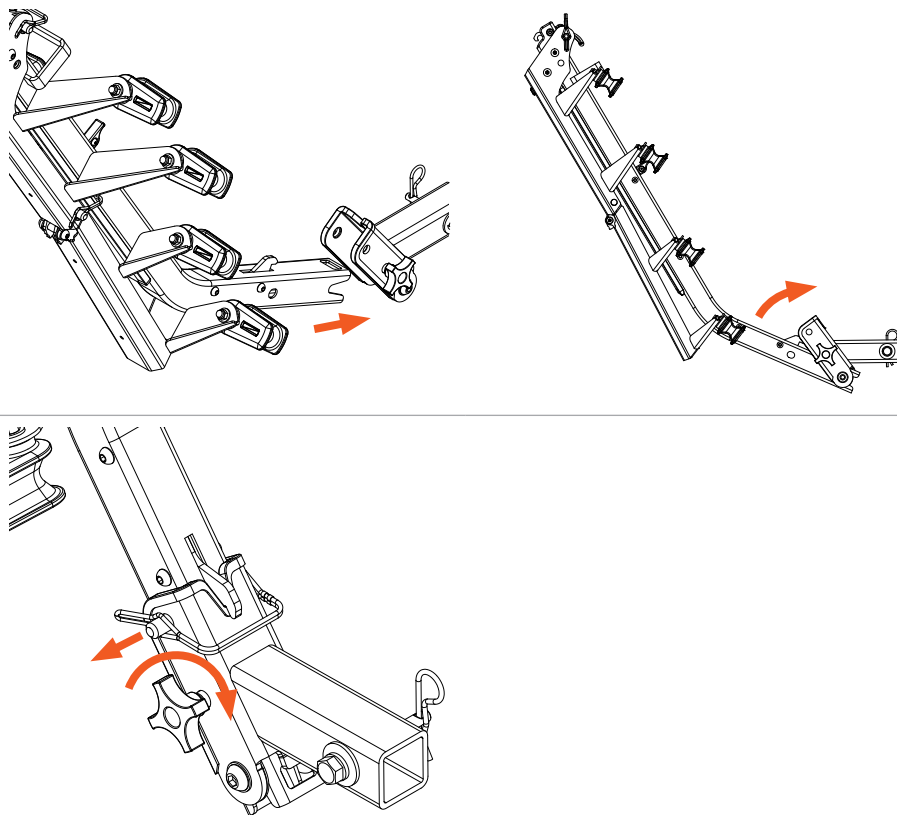
Insert the ActiveLink shank into the vehicle receiver tube. Secure with 1/2" hex head bolt, flat washer, star washer and clip.



Step 2

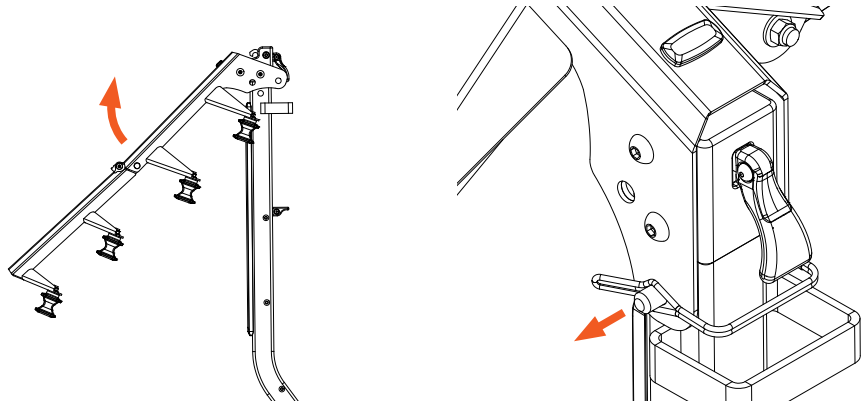
Lower the bike rack onto the ActiveLink shank pivot. Lift the rack until it latches.

Insert the safety pin through the upright tube and ActiveLink shank. Use the hand wheel to tighten the upright and reduce rattling.



Step 3

Lift the arm until it latches and insert the safety pin.



Step 4

Install the bikes on the rack and secure with the provided velcro straps.

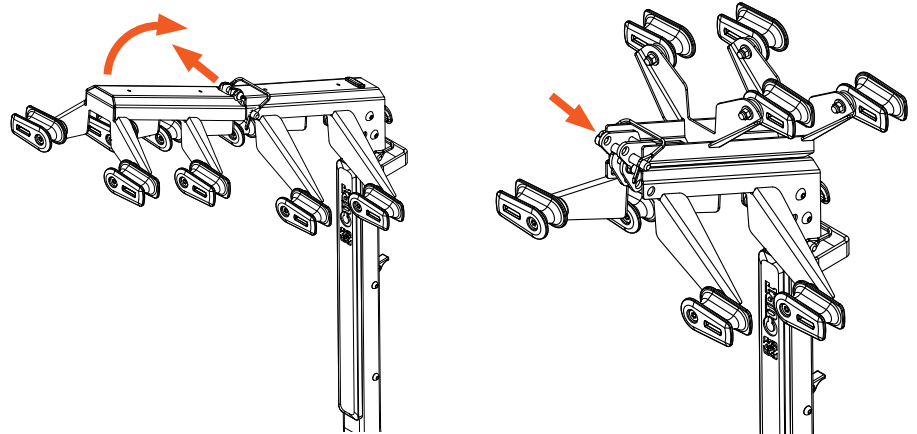
Note: When carrying more than one bike, be sure to alternate the directions the bikes are facing on the rack. First bike faces right, second bike faces left and so on.

FOLDING FEATURES

Two and Four Bike Positions

The bike rack can be used in either a two bike or four bike position.

To fold the top arm up for two bike position, remove the safety pin from the center pivot, rotate the arm back and reinsert the safety pin into the hole nearest to the pivot pin.

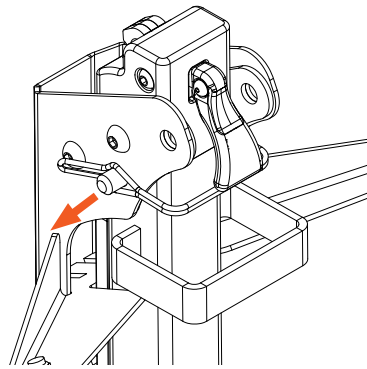
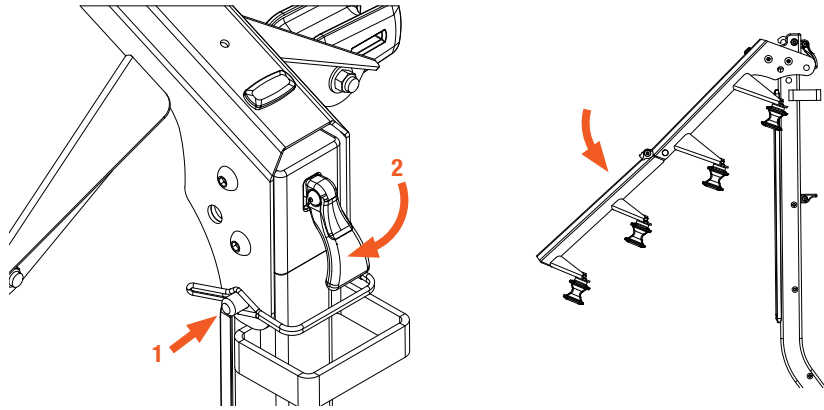


Storage Position

To fold the arm down for to storage position, pull the safety pin at the top that secures the arm in the outward position. While holding the arm press the handle on the back of the upright and lower the arm to the transport / storage position.

Reinsert the safety pin

Note: It is recommended to transport and store the bike rack with the upper arm folded down in the four bike position as shown.



Tilting Rack Away From Vehicle

At the base, remove the safety pin from the ActiveLink shank. Lift the small handle on the back of the upright and tilt the rack away from the vehicle.

