

INSTALLATION MANUAL

18401

Level of Difficulty

Easy

Installation difficulty levels are based on time and effort involved and may vary depending on the installer level of expertise, condition of the vehicle and proper tools and equipment.

Weight Carrying Capacity

Gross trailer weight (GTW)	3,500 lbs.
Tongue weight (TW)	350 lbs.

Parts List

Item	Qty	Description
1	1	ActiveLink™ shank assembly
2	1	Anti-rattle bolt, 1/2"-13
3	1	Flat washer, 1/2"
4	1	Lock washer, 1/2"
5	1	Hair pin clip
6	1	Anti-rattle handwheel

Tools Required

Torque wrench	Socket, 3/4"
---------------	--------------

Product Registration and Warranty

CURT stands behind our products with industry-leading warranties. To get copies of the product warranties, register your purchase or provide feedback, visit: warranty.curtgroup.com/surveys

⚠ WARNING

Never exceed the vehicle manufacturer's recommended towing capacity.

Never exceed the product's weight capacity or the tongue weight capacity of the trailer hitch.

Do not modify or use this accessory for purposes other than for which it was designed.

It is the user's responsibility to adhere to all state and federal laws regarding obstruction of vehicle lighting (i.e. brake lights, taillights, turn signals and backup lights) and license plate when using this accessory.

A support strap is required when bike racks or cargo carriers are used with an 1-1/4" receiver hitch. Failure to use a support strap could result in injury and / or property damage and will void the warranty of the bike rack and trailer hitch.

Product Photo



⚠ CAUTION

This product is not designed for off-road use.

Do not install this product on a trailer or towed vehicle.

When transporting heavier bikes such as e-bikes and tilting the rack for rear vehicle access is necessary, a team lift may be required to prevent injury and / or product damage.

Always be mindful of accessories extending beyond vehicle when operating.

NOTICE

Visit www.curtmfg.com for a full-color copy of this instruction manual, as well as helpful videos, guides and much more!

Before you begin installation, read all instructions thoroughly.

Proper tools will improve the quality of installation and reduce the time required.

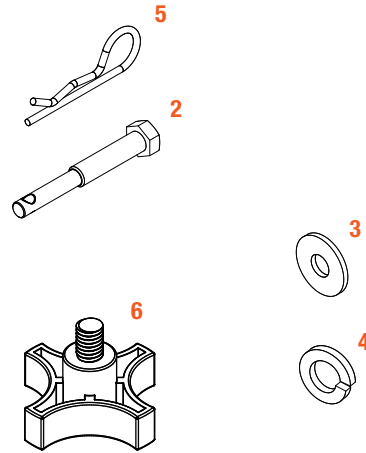
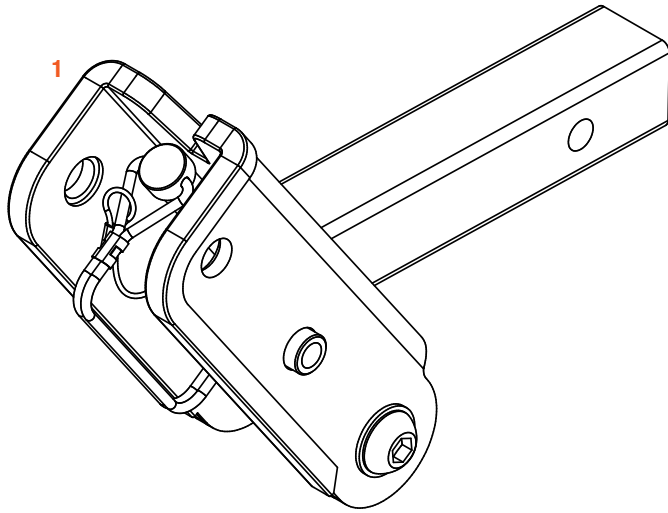
Remove this accessory before entering automatic car washes.

Periodic inspection of your product should be performed to ensure all hardware and / or components remain secure.

ASSEMBLY

Parts List

Item	Qty	Description
1	1	ActiveLink shank assembly
2	1	Anti-rattle bolt, 1/2"-13
3	1	Flat washer, 1/2"
4	1	Lock washer, 1/2"
5	1	Hair pin clip
6	1	Anti-rattle handwheel

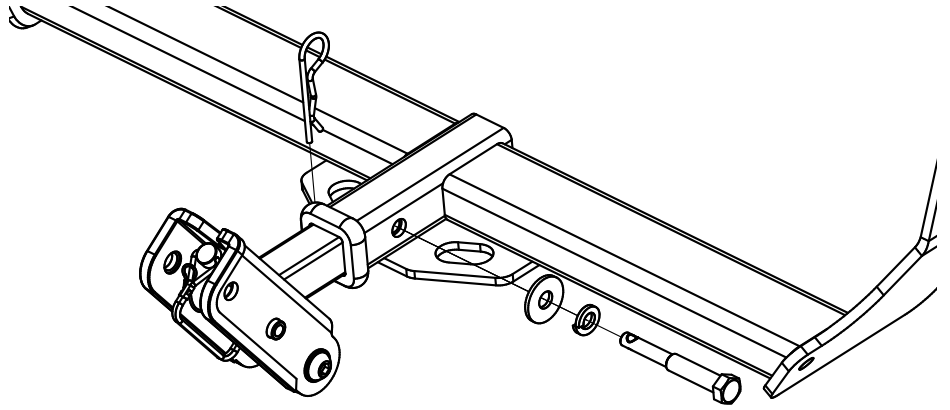


Step 1

Insert the ActiveLink shank (#1) into the vehicle receiver tube. Secure with anti-rattle bolt (#2), flat washer (#3) and lock washer (#4).

Tighten bolt firmly until no movement of the shank is noticed, not to exceed 64 ft-lbs. Do not over-tighten.

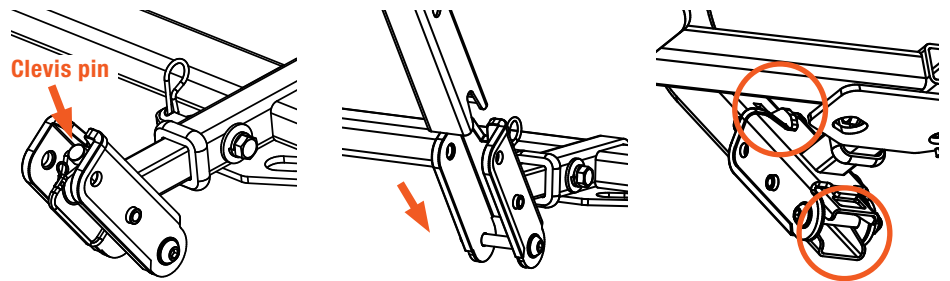
Install hair pin clip (#5).



Step 2

Remove the clevis pin from the ActiveLink shank's channel (#1).

Insert the ActiveLink accessory into the ActiveLink shank (#1), resting the tube's notch on the bolt and sliding the latch into the shank's notch as shown.



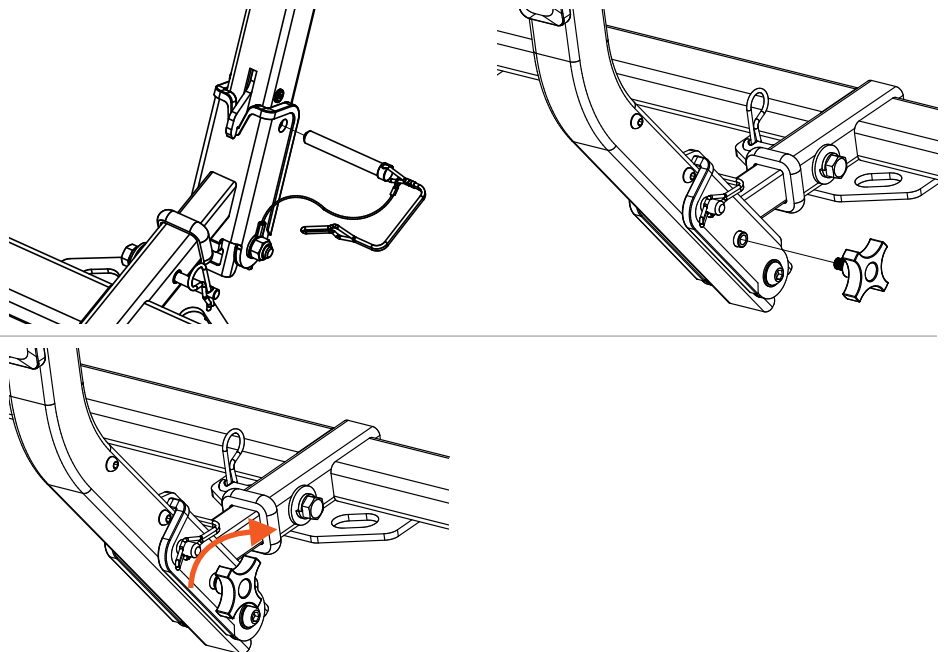
Step 3

Insert the clevis pin into the ActiveLink shank (#1), snapping the wire loop onto the pin.

Thread the anti-rattle hand wheel (#6) into the ActiveLink shank (#1) and tighten until no movement of the accessory's support tube is noticed.

NOTICE

Over-tightening the hand wheel may damage the shank's insert.

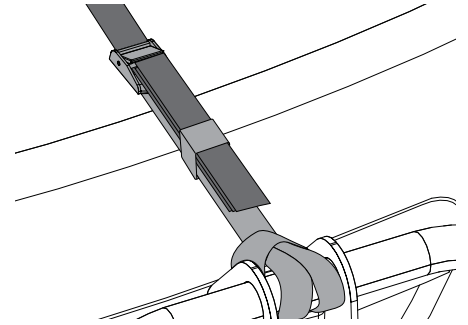
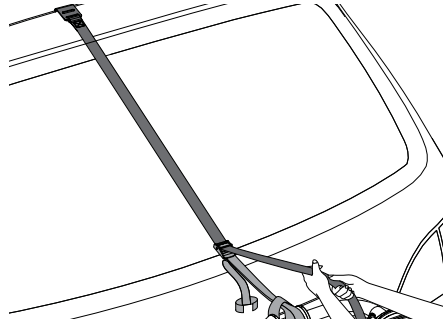


Step 4

If bike rack or cargo carrier accessories are used with the 1-1/4" ActiveLink shank, a support strap is required to be used as shown (sold separately).

⚠ WARNING

Failure to use a support strap with 1-1/4" receivers could result in injury and / or product damage.

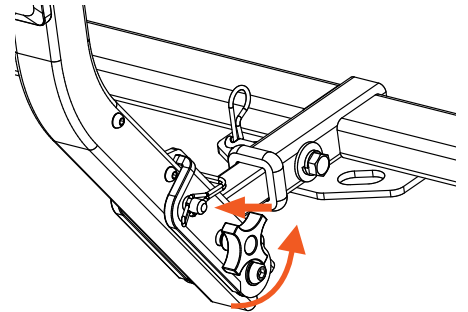
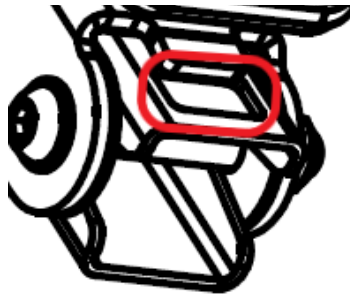


Step 5

If the chosen accessory has an opening at the bottom of its support tube, the accessory may be tilted for rear vehicle access.

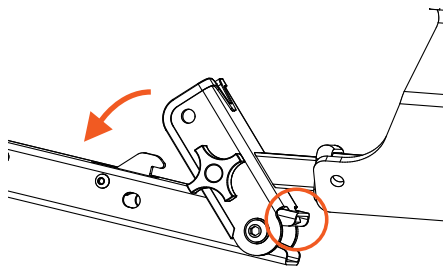
Undo support strap (if used). Remove the clevis pin from the ActiveLink shank (#1) and loosen the anti-rattle hand wheel (#6).

Support the accessory and actuate its release handle, allowing the accessory to tilt downward. A tab on the underside of the ActiveLink shank will engage with the accessory's support tube to prevent disconnection.



NOTICE

Attempting to tilt an accessory such as a cargo carrier that is not intended to do so may damage the ActiveLink shank and accessory.



Step 6

Return the accessory to its upright transport position, re-install the clevis pin and tighten the anti-rattle hand wheel (#6).

⚠ WARNING

Do not transport an ActiveLink accessory in the tilted position.

