

INSTALLATION MANUAL

18109

Level of Difficulty

Easy

Installation difficulty levels are based on time and effort involved and may vary depending on the installer level of expertise, condition of the vehicle and proper tools and equipment.

Weight Carrying Capacity

Weight capacity 500 lbs.

Parts List

Item	Qty	Description
1	2	Platform frame, half
2	1	Shank, 2"
3	2	Connecting plate
4	1	Folding shank assembly
5	1	Clip
6	1	Pin, 5/8"
7	1	Lock nut, M16
8	1	Hex bolt, M16 x 80mm
9	14	Lock nut, M10
10	12	Carriage bolt, M10 x 20mm
11	2	Carriage bolt, M10 x 75mm
12	1	Flat brace
13	2	Support bridge

Tools Required

Wrench, 17mm	Wrench, 24mm
Adjustable wrench	--

Torque Specifications

M10 bolt	16 ft.-lbs.
M16 bolt	70 ft.-lbs.

Use above torque setting unless otherwise noted

⚠ WARNING

Never exceed the vehicle manufacturer's recommended towing capacity.

Do not exceed maximum weight capacity of 500 lbs. when using 2" receiver tube. Distribute the weight evenly on platform when hauling a load.

Do not carry loads taller, wider or deeper than the cargo carrier. Do not carry flammable items on carrier or allow exhaust fumes to blow directly on your cargo. This is a fire hazard.

Always use caution when in reverse (R) to help avoid personal injury.

Loads must be evenly distributed.

Never use as a step or platform - injury may result.

Do not use to carry flammable items or allow exhaust fumes to blow directly on items in the carrier - fire hazard.

Do not use to transport people.

Do not block brake lights or turn signals.

Product Photo



NOTICE

Visit www.curtmfg.com for a full-color copy of this instruction manual, as well as helpful videos, guides and much more!

Before you begin installation, read all instructions thoroughly.

Proper tools will improve the quality of installation and reduce the time required.

Periodic inspection of your product should be performed to ensure all hardware and / or components remain secure.

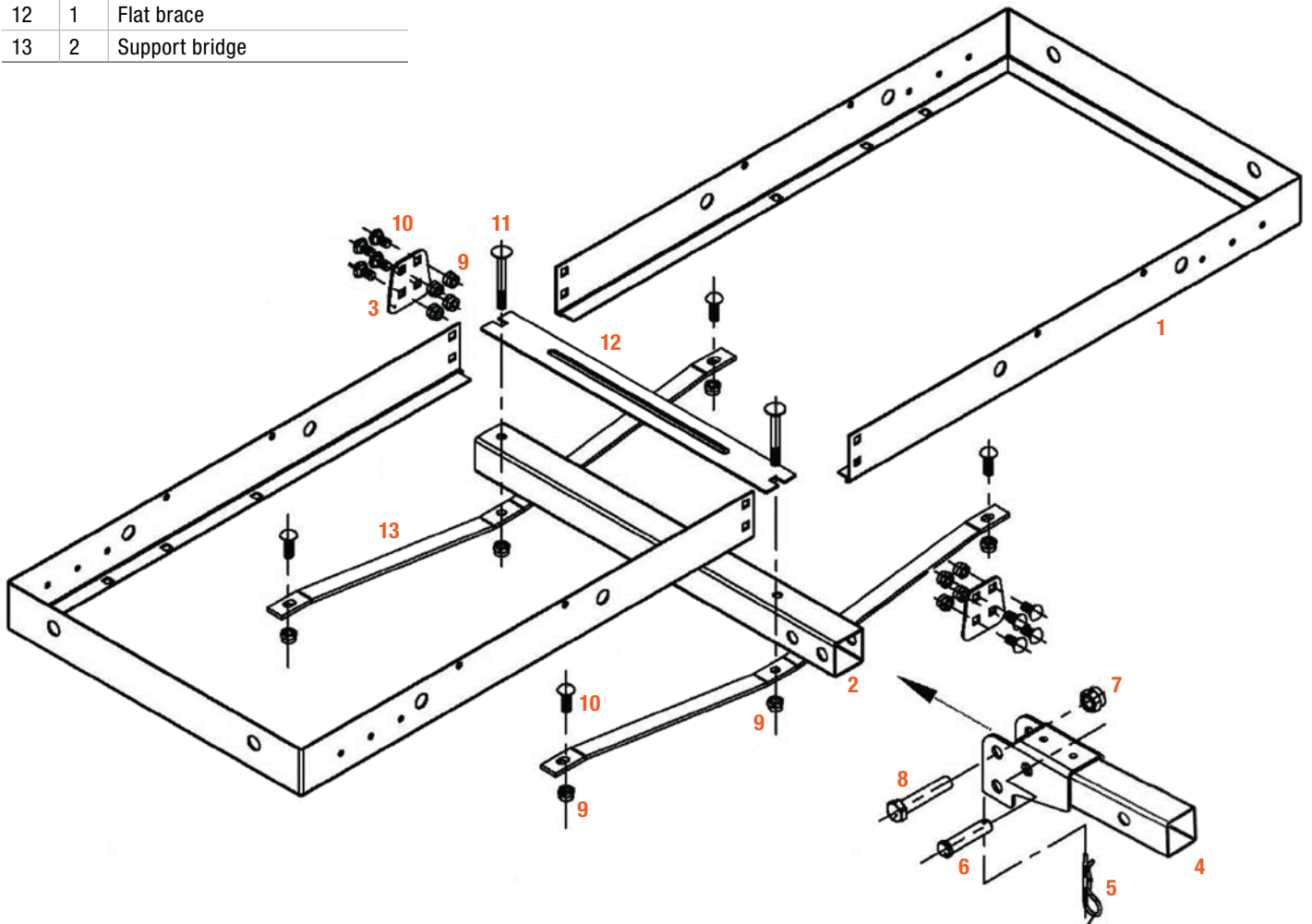
Product Registration and Warranty

CURT stands behind our products with industry-leading warranties. To get copies of the product warranties, register your purchase or provide feedback, visit: warranty.curtgroup.com/surveys

ASSEMBLY

Parts List

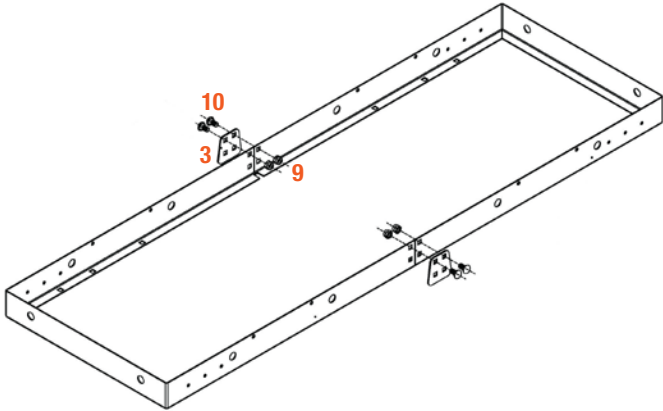
Item	Qty	Description
1	2	Platform frame, half
2	1	Shank, 2"
3	2	Connecting plate
4	1	Folding shank assembly
5	1	Clip
6	1	Pin, 5/8"
7	1	Lock nut, M16
8	1	Hex bolt, M16 x 80mm
9	14	Lock nut, M10
10	12	Carriage bolt, M10 x 20mm
11	2	Carriage bolt, M10 x 75mm
12	1	Flat brace
13	2	Support bridge



Step 1

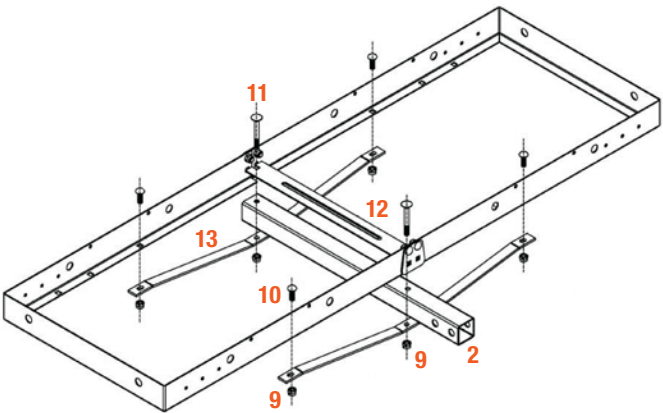
Align the two platform halves (#1), as shown. Using the top two holes only, connect the platform halves (#1) and connecting plates (#3) with M10 x 20mm carriage bolts (#10) and M10 lock nuts (#9).

Hand tighten.



Step 2

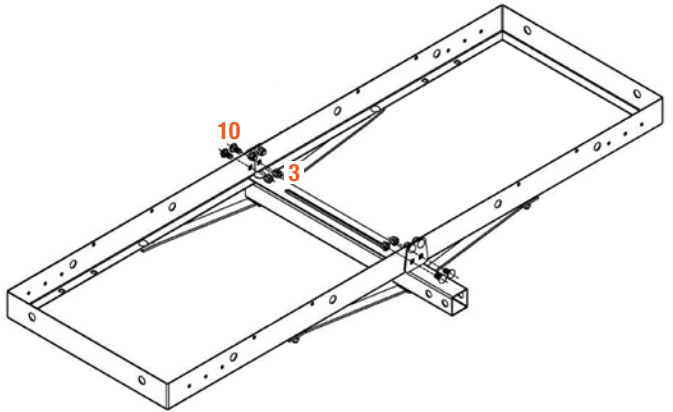
Put the 2" shank (#2) under the middle of platform (#1). Place the support bridge (#13) under the 2" shank. Place the flat brace (#12) in the top middle of the platform. Connect by hand-tightening the M10 x 75mm carriage bolt (#11) and M10 lock nut (#9).



Step 3

Using the bottom two holes, finish connecting the platform halves (#1) and connecting plates (#3) with M10 x 20mm carriage bolts (#10) and M10 lock nuts (#9). Hand tighten.

Fully tighten all of the bolts and lock nuts to the specified torque specs.

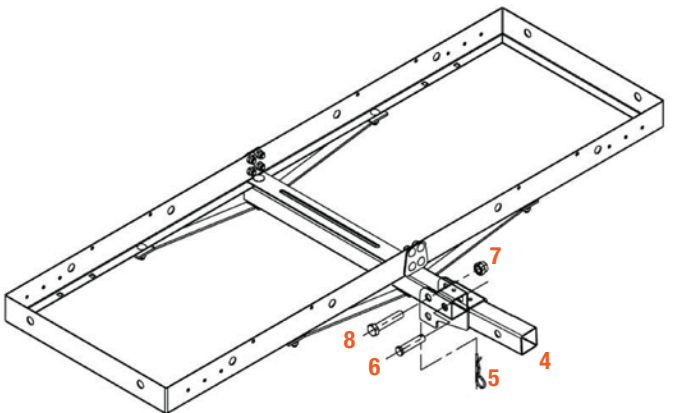


Step 4

Insert the 2" shank (#2) into the folding shank assembly (#4).

Align all of the holes. Insert the M16 x 80mm hex bolt (#8) through the hole closest to the cargo carrier and secure with M16 lock nut (#7).

The pin (#6) should be inserted in the hole closest to the vehicle. To fold the basket, remove pin, fold basket up, and place pin in the lower hole. The clip (#5) must always be attached to the pin.



TOWING BASICS & SAFETY INFORMATION

For information on safely towing your trailer, visit curtmfg.com/understanding-towing.