

16911

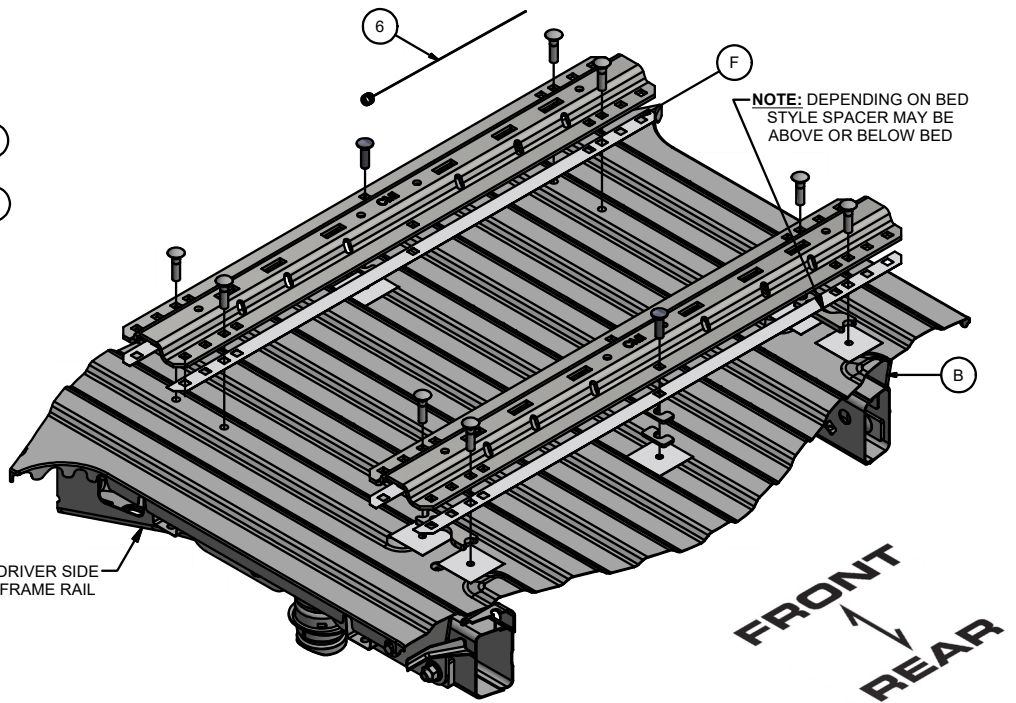
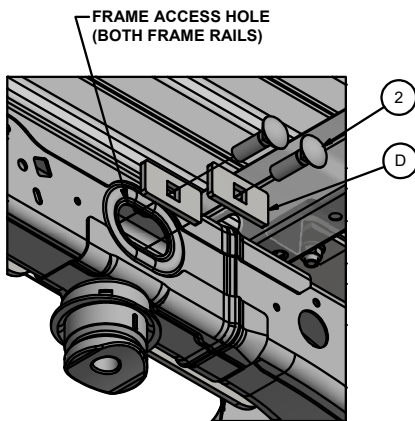
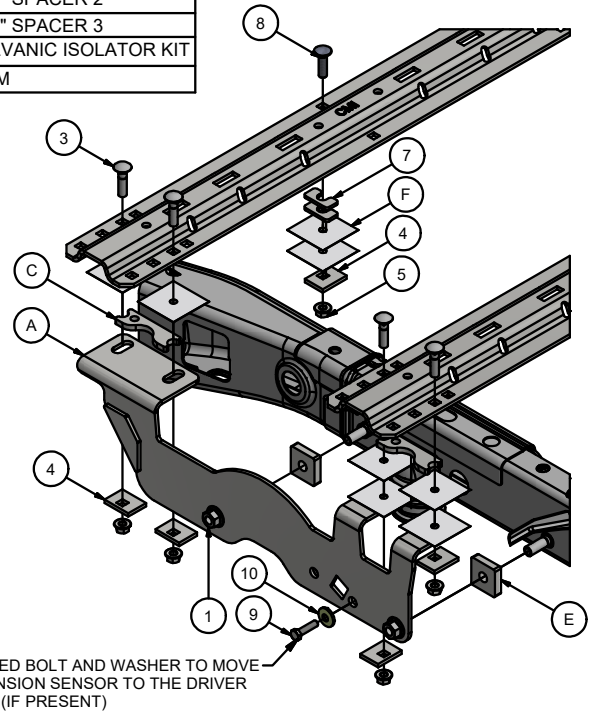
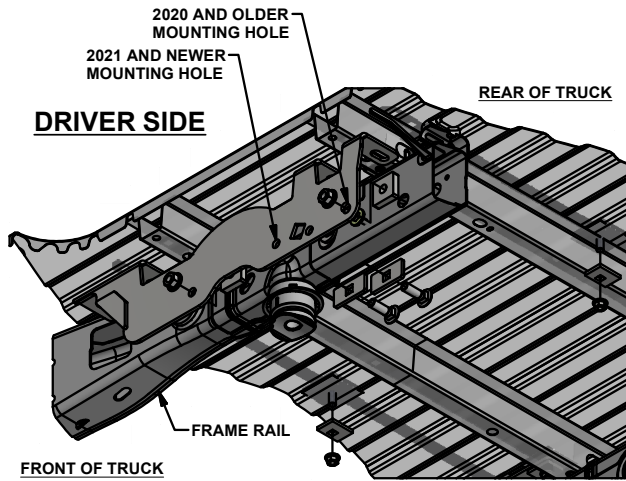
FORD F-150

3/24/2021

1 of 3

***** DO NOT EXCEED VEHICLE MANUFACTURER'S RECOMENDED TOWING CAPACITY *****

Hardware List				Parts List			
ITEM	QTY	PART NUMBER	DESCRIPTION	ITEM	QTY	PART NUMBER	DESCRIPTION
1	4	20-00105	NUT,SER-FLANGE,5/8-11 UNC,GRD8,YZ	A	1	16911-DSW	WELDMENT ASSEMBLY
2	4	10-10344	BOLT,CAR,5/8-11 UNC,2,GRD8,YZ	B	1	16911-PSW	WELDMENT ASSEMBLY
3	8	10-10288	BOLT,CAR,1/2-13 UNC,2,GRD8,YZ	C	4	16911-SP	.375" SPACER
4	10	CM-SP33	.250 x 1.50 x 2.00" SQUARE HOLE SPACER	D	4	16911-SP2	.250" SPACER 2
5	10	20-00062	NUT,SER-FLANGE,1/2-13 UNC,GRD8,YZ	E	4	16911-SP3	.500" SPACER 3
6	4	5_8 FISHWIRE	5/8" FISHWIRE	F	1	16910	GALVANIC ISOLATOR KIT
7	4	CM-SP27	.188 x 1.00 x 2.00" U-SHAPE SPACER	G	2	16911-S	SHIM
8	2	10-10272	BOLT,CAR,1/2-13 UNC,1-3/4,GRD8,YZ				
9	1	10-10189	HHCS,M10x1.5,40,CL8.8				
10	1	30-00163	WASHER,S-CON,7/16,YZ				



HITCH WEIGHT: 25 LBS.
 INSTALL TIME
 PROFESSIONAL: 90 MINUTES
 NOVICE (DIY): 180 MINUTES
 INSTALL NOTES:
 - LOWER SPARE TIRE
 - NO DRILLING REQUIRED

Curt Manufacturing LLC., warrants this product to be free of defects in material and/or workmanship at the time of retail purchase by the original purchaser. If the product is found to be defective, Curt Manufacturing LLC., may repair or replace the product, at their option, when the product is returned, prepaid, with proof of purchase. Alteration to, misuse of, or improper installation of this product voids the warranty. Curt Manufacturing LLC.'s liability is limited to repair or replacement of products found to be defective, and specifically excludes liability for incidental or consequential loss or damage.

WARNING:

- Do not install mounting rails over plastic bed liners. Plastic liners must be trimmed for metal to metal contact. (Mounting rails may be installed on spray on liner.)
- Use only supplied fasteners for installation.
- Before installing mounting rails and hitch, measure to be sure there will be enough clearance between the truck and trailer to allow for turns.

Installation Instructions:

1. Lower and remove the spare tire and exhaust heat shield for ease of installation. Unbolt the suspension sensor if present and unclip harness from the side of the frame.

WARNING: When drilling holes be aware of potential risks to vehicle components and make appropriate safe guards to protect them from damage.

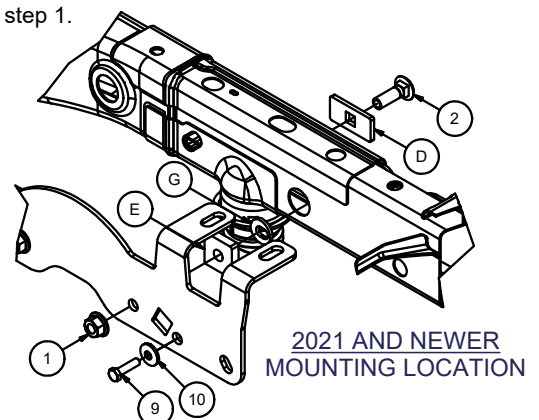
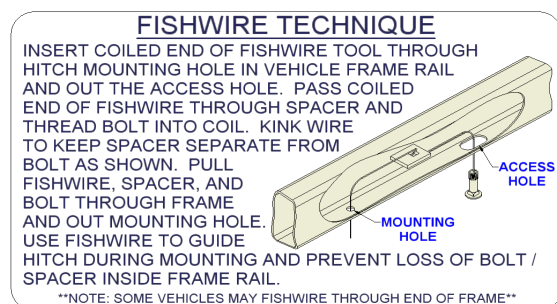
Note: On vehicles with an aluminum bed, it will be required that all steel components be isolated from aluminum with the Galvanic Isolator kit supplied.

2. Fishwire (4) 5/8" carriage bolts and (4) 16911-SP2 spacers into the frame rails as shown on page 1 or below, leaving the fishwires attached. Temporarily install the side plates (A & B) by threading the fishwires through the plates, removing the wires, and installing the (4) 5/8" hex flange nuts provided. Using a center punch, mark the rearward locations (row 1 and 2 on page 3) of the center of the mounting rail hole of the side plate locations in the bottom of the bed. Place the rearward mounting rail in the bed of the truck and check to see that Rows 1 and 2 align with the center punch marks. Adjust center marks side to side as required. Move rail out of the way and drill 1/8" holes in Row 1 mounting locations. Check forward mounting brackets (A & B) to make sure they are aligned. Drill 1/8" holes in Row 2 mounting locations.
3. Remove the mounting rail and enlarge the 1/8" holes to 9/16" in Rows 1 and 2. Reinstall the side plates (A & B) and mounting rail with the 1/2" x 2" carriage bolts and 16911-SP2 spacers. Place the 16911-SP3 spacers between the bracket and mounting rail as shown and the bed to prevent the bed from collapsing when the bolts are tightened. Loosely install the supplied 1/2" flange nuts.
- 4a. Place the unassembled 5th wheel saddles / slider / goose into the already installed mounting rail. Position the forward mounting rail with saddles / slider / goose by inserting the tabs into the mounting rail and pushing the mounting rail tight towards the other mounting rail. Ensure that the mounting rail is centered between the box sides on the length of the truck box floor. This will position the mounting rail in the correct location and ensure that the 5th wheel will have a snug fit to the truck. Drill the 1/8" holes in Row 3 and 4.

Note: If more than one hitch product will be used with the rails then both should be used at the same time to align the second rail. This will ensure that one product does not compromise the fit of the other.

If hitch attachment is not available use step 4b for rear mounting rail placement

- 4b. Place the forward mounting rail in the bed of the truck and place 22" on center from forward to rear rails. Center the rail side to side. Center punch the Row 4 hole locations. This process is to verify that the hole locations are correct due to bed support location variances. When aligned, drill the 1/8" holes in Row 3 and 4.
5. Enlarge the 1/8" holes to 9/16".
6. Install the 1/2" x 1-3/4" carriage bolt in the center hole of the mounting rails as shown on sheet 1. Place (2) CM-SP27 spacers between the rail and the bed, and secure the bolt with a CM-SP33 spacer and 1/2" flange nut on the bottom.
7. Torque the fasteners in the following sequence:
 - a) mounting rails to the frame brackets to 110 lb-ft.
 - b) frame brackets to the truck frame to 180 lb-ft.
8. Reinstall the heat shield, suspension sensor (if present) and spare tire removed in step 1.



WARNING:

- Do not install mounting rails over plastic bed liners. Plastic liners must be trimmed for metal to metal contact. (Mounting rails may be installed on spray on liner.)
- Use only supplied fasteners for installation.
- Before installing mounting rails and hitch, measure to be sure there will be enough clearance between the truck and trailer to allow for turns.

Rail Location Tip

To correctly locate the rearward rail, place 16911-SP spacers so they straddle the bed bolts as shown in the image to the right. This will locate the rear edge of the rail approximately 28 9/16" from the rear of the bed.

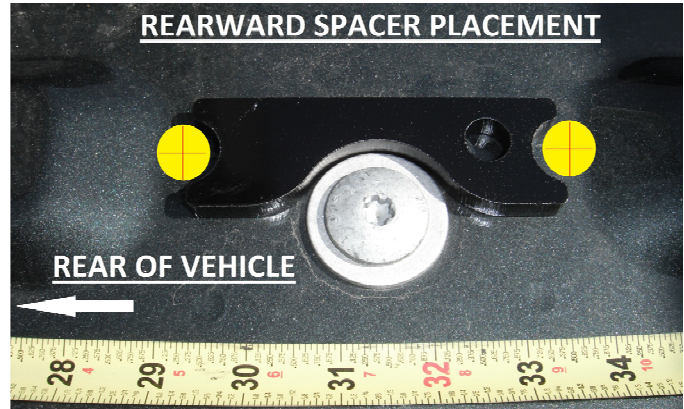
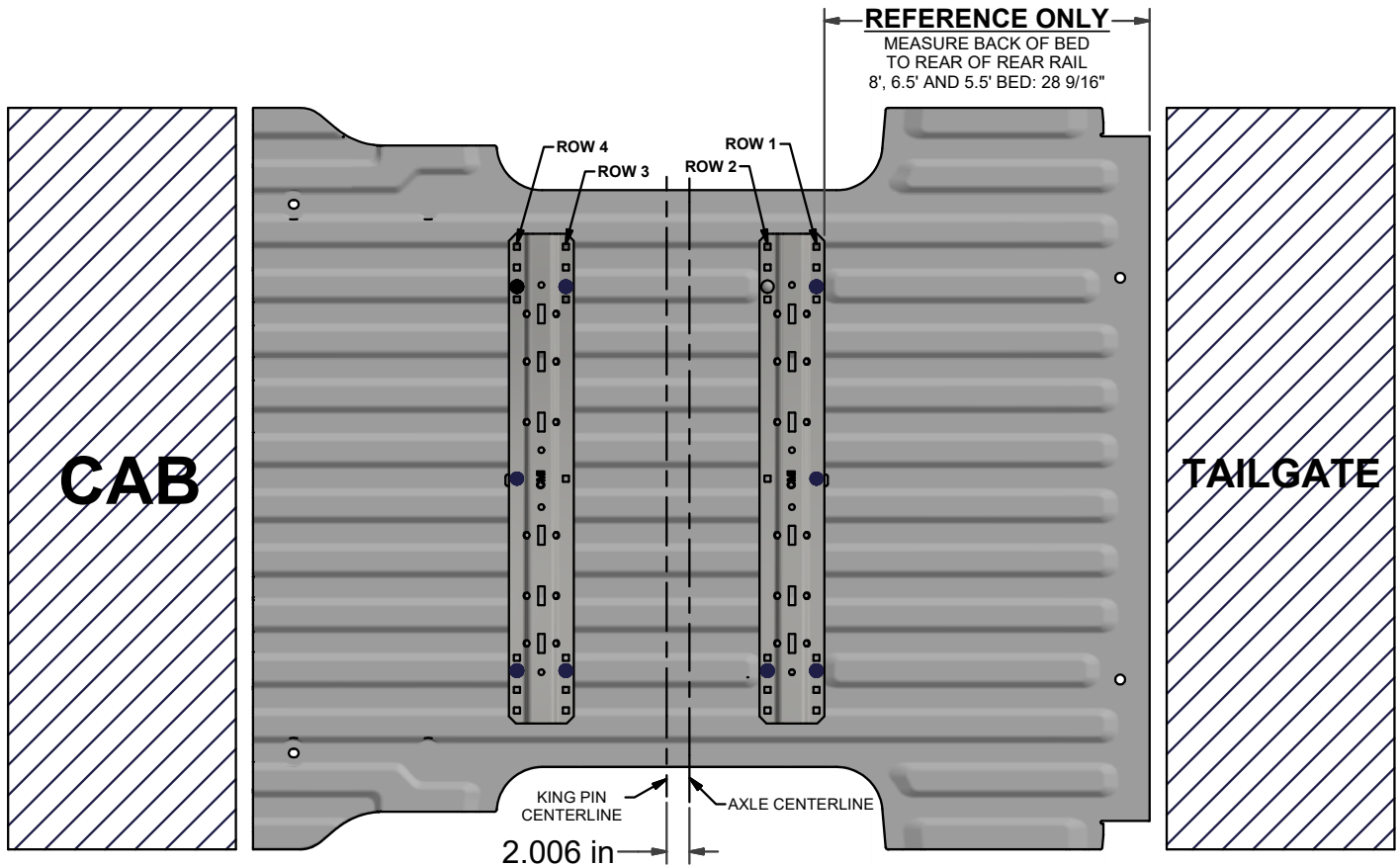


FIGURE 2: RAIL LOCATION DIAGRAM



Curt Manufacturing Inc., warrants this product to be free of defects in material and/or workmanship at the time of retail purchase by the original purchaser. If the product is found to be defective, Curt Manufacturing Inc., may repair or replace the product, at their option, when the product is returned, prepaid, with proof of purchase. Alteration to, misuse of, or improper installation of this product voids the warranty. Curt Manufacturing Inc.'s liability is limited to repair or replacement of products found to be defective, and specifically excludes liability for incidental or consequential loss or damage.