

12009

77-85 BUICK LESABRE AND CENTURION, 77-84 ELECTRA AND PARK AVE, 92-96 ROADMASTER
77-96 CHEVROLET CAPRICE ,80-85 OLDSMOBILE 88 AND 80-84 98, 83-86 PONTIAC PARISIENNE

6/16/2020

GROSS LOAD CAPACITY WHEN USED AS A WEIGHT CARRYING HITCH: 3,500 LBS. TRAILER WEIGHT & 350 LBS. TONGUE WEIGHT.

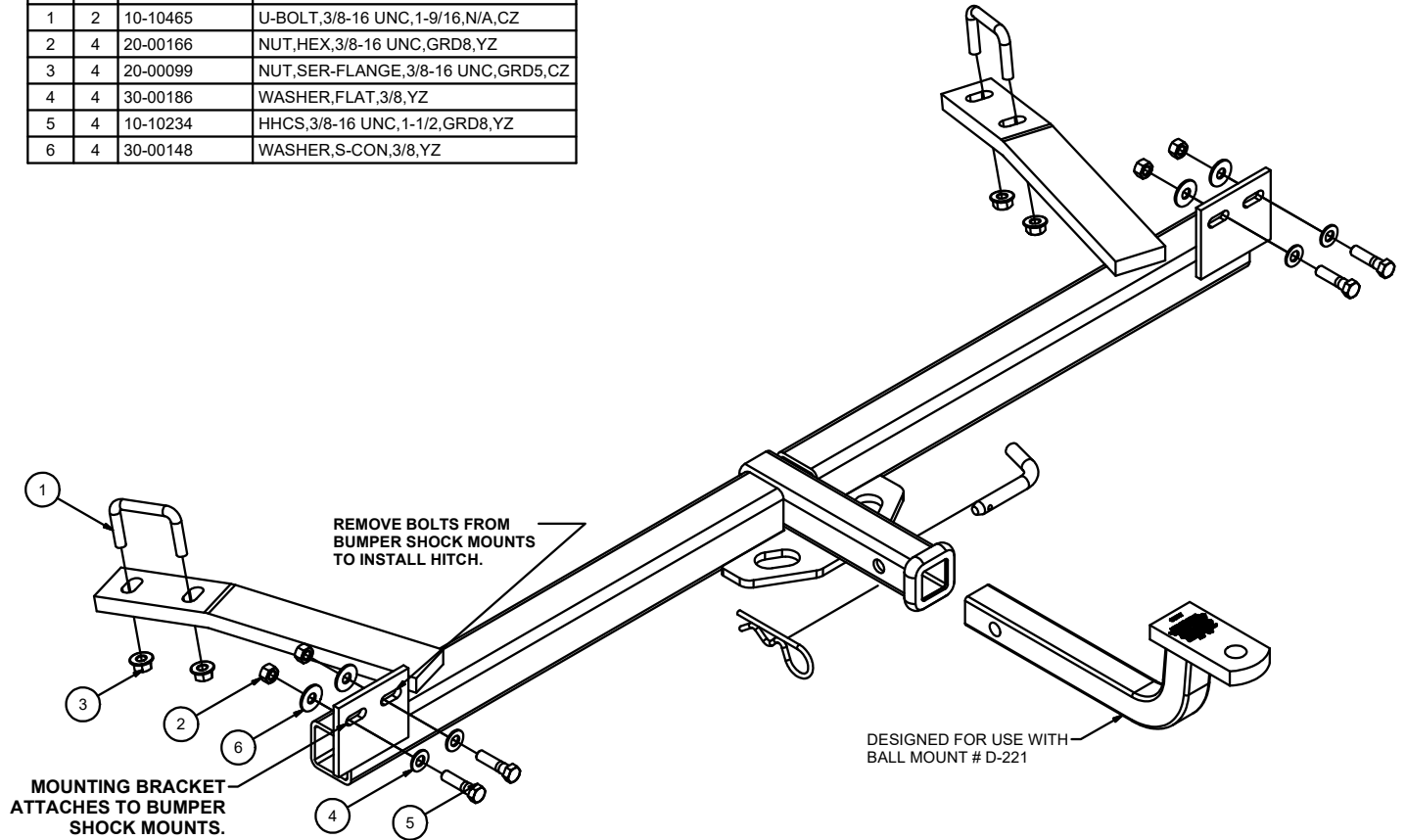
*****DO NOT EXCEED VEHICLE MANUFACTURER'S RECOMMENDED TOWING CAPACITY.*****

WARNING: ALL NON-TRAILER LOADS APPLIED TO THIS PRODUCT MUST BE SUPPORTED BY AUXILIARY STABILIZING STRAPS.

**** FAILURE TO PROPERLY SUPPORT NON-TRAILER LOADS WILL VOID PRODUCT WARRANTY****

HAVING INSTALLATION QUESTIONS? CALL TECHNICAL SUPPORT AT 1-877-287-8634

Parts List				
ITEM	QTY	PART NUMBER	DESCRIPTION	
1	2	10-10465	U-BOLT,3/8-16 UNC,1-9/16,N/A,CZ	
2	4	20-00166	NUT,HEX,3/8-16 UNC,GRD8,YZ	
3	4	20-00099	NUT,SER-FLANGE,3/8-16 UNC,GRD5,CZ	
4	4	30-00186	WASHER,FLAT,3/8,YZ	
5	4	10-10234	HHCS,3/8-16 UNC,1-1/2,GRD8,YZ	
6	4	30-00148	WASHER,S-CON,3/8,YZ	



HITCH WEIGHT: 40 LBS.

INSTALL TIME

PROFESSIONAL: 30 MINUTES

NOVICE (DIY): 60 MINUTES

INSTALL NOTES:

-DRILLING REQUIRED

INSTALLATION STEPS

- 1) Remove 4 bolts from bumper shock mounts.
- 2) Raise hitch into position and install bolts and fasteners to bumper shock mounts
- 3) Drill holes as needed for U-bolts and install U-bolts.
- 4) Torque u-bolt fasteners to 26 lb-ft and remaining hardware to 37 lb-ft

PERIODICALLY CHECK THIS RECEIVER HITCH TO ENSURE THAT ALL FASTENERS ARE TIGHT AND THAT ALL STRUCTURAL COMPONENTS ARE SOUND.

Curt Manufacturing Inc., warrants this product to be free of defects in material and/or workmanship at the time of retail purchase by the original purchaser. If the product is found to be defective, Curt Manufacturing Inc., may repair or replace the product, at their option, when the product is returned, prepaid, with proof of purchase. Alteration to, misuse of, or improper installation of this product voids the warranty. Curt Manufacturing Inc.'s liability is limited to repair or replacement of products found to be defective, and specifically excludes liability for incidental or consequential loss or damage.