

**11733****75-87 JAGUAR XJ6, XJ12 & 75-93 XJS**

12/10/2012

GROSS LOAD CAPACITY WHEN USED AS A WEIGHT CARRYING HITCH: 2,000 LBS. TRAILER WEIGHT &amp; 200 LBS. TONGUE WEIGHT.

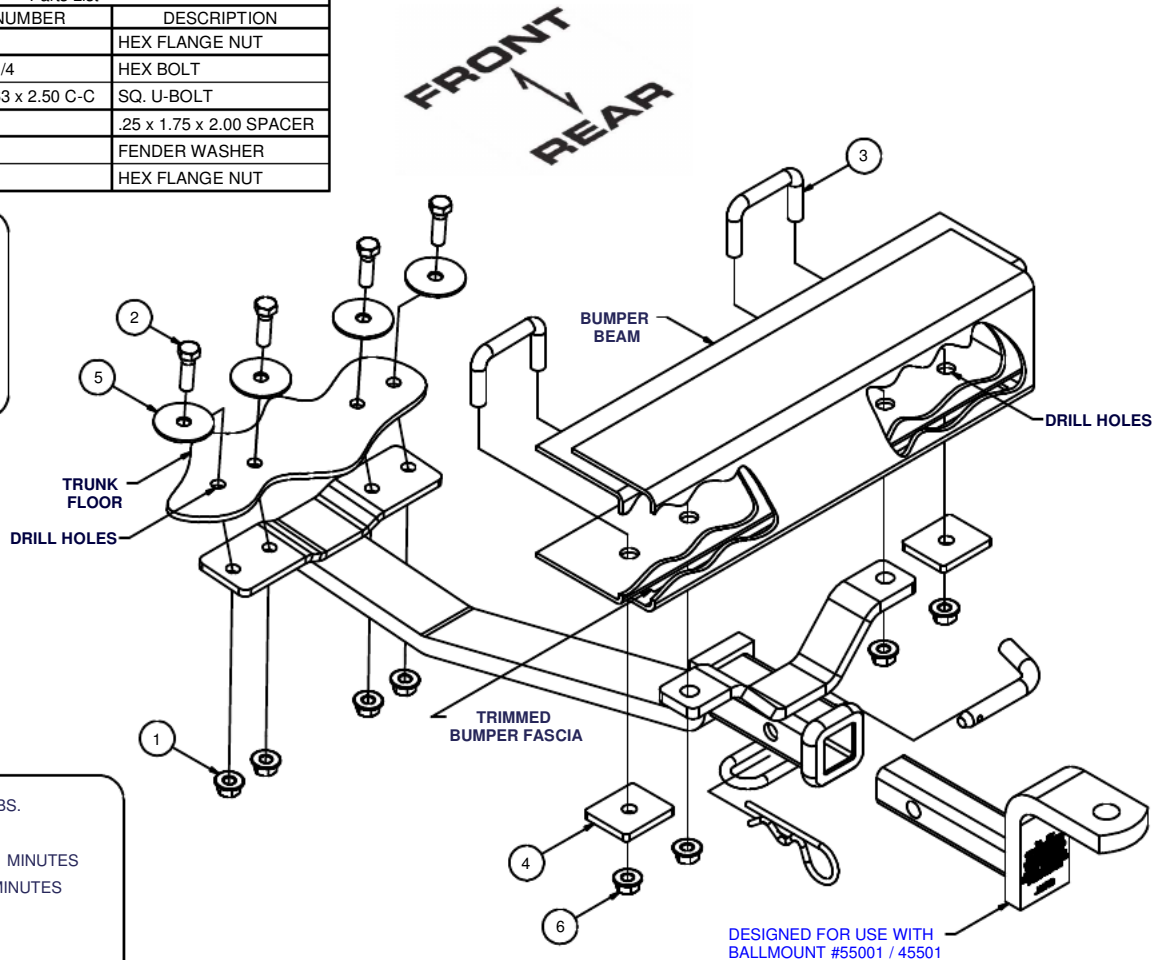
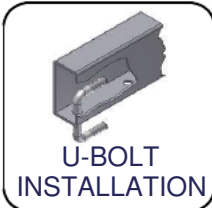
**\*\*\*DO NOT EXCEED VEHICLE MANUFACTURER'S RECOMMENDED TOWING CAPACITY.\*\*\***

WARNING: ALL NON-TRAILER LOADS APPLIED TO THIS PRODUCT MUST BE SUPPORTED BY 18050 STABILIZING STRAPS.

**\*\* FAILURE TO PROPERLY SUPPORT NON-TRAILER LOADS WILL VOID PRODUCT WARRANTY\*\***

HAVING INSTALLATION QUESTIONS? CALL TECHNICAL SUPPORT AT 1-877-287-8634

Parts List			
ITEM	QTY	PART NUMBER	DESCRIPTION
1	4	HFN3816	HEX FLANGE NUT
2	4	3/8 - 16 x 1 1/4	HEX BOLT
3	2	7/16-14 x 1.63 x 2.50 C-C	SQ. U-BOLT
4	2	CM-SP102	.25 x 1.75 x 2.00 SPACER
5	4	3/8"	FENDER WASHER
6	4	7/16-14	HEX FLANGE NUT



HITCH WEIGHT: 17 LBS.

**INSTALL TIME**

PROFESSIONAL: 30 MINUTES

NOVICE (DIY): 60 MINUTES

**INSTALL NOTES:**

- CLEAR TRUNK
- DRILLING REQUIRED
- SILICONE SEAL HARDWARE

**INSTALLATION STEPS**

1. Remove contents from vehicle's trunk. Hold hitch in place under trunk floor and bumper beam and mark area of fascia to trim away. The hitch bumper bracket must fit directly against metal bumper beam.
2. Trim bumper fascia as necessary. With hitch in position mark trunk floor and metal surface of bumper beam for hitch holes. Measure and mark for additional hole in bumper for U-bolts. Centerpunch marked holes.
3. Drill (4) holes for 3/8" diameter fasteners in trunk floor and (4) holes 1/2" diameter in bumper beam.
4. Work (2) rectangular U-bolts into bumper holes. Mount hitch to vehicle as shown.
5. Torque all 3/8" fasteners to 45 lb-ft. and all 7/16" fasteners to 70 lb-ft. Do not use impact wrench on u-bolt.
6. Silicone seal hardware installed through trunk floor
7. Reinstall contents removed from trunk in Step 1.

**PERIODICALLY CHECK THIS RECEIVER HITCH TO ENSURE THAT ALL FASTENERS ARE TIGHT AND THAT ALL STRUCTURAL COMPONENTS ARE SOUND.**

Curt Manufacturing Inc., warrants this product to be free of defects in material and/or workmanship at the time of retail purchase by the original purchaser. If the product is found to be defective, Curt Manufacturing Inc., may repair or replace the product, at their option, when the product is returned, prepaid, with proof of purchase. Alteration to, misuse of, or improper installation of this product voids the warranty. Curt Manufacturing Inc.'s liability is limited to repair or replacement of products found to be defective, and specifically excludes liability for incidental or consequential loss or damage.