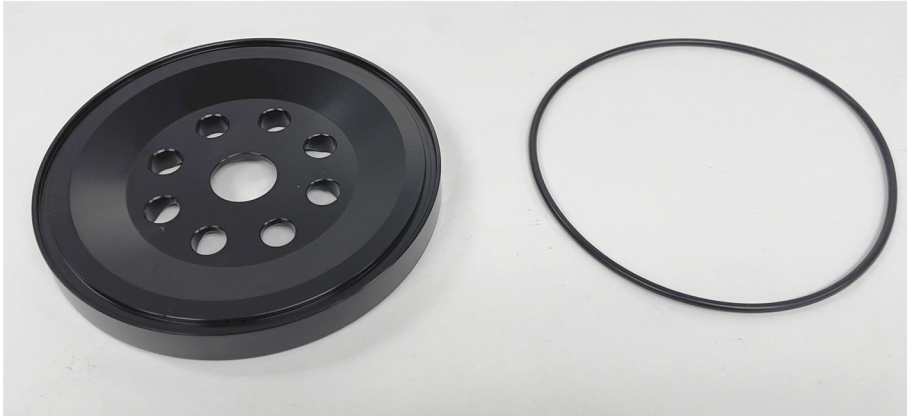




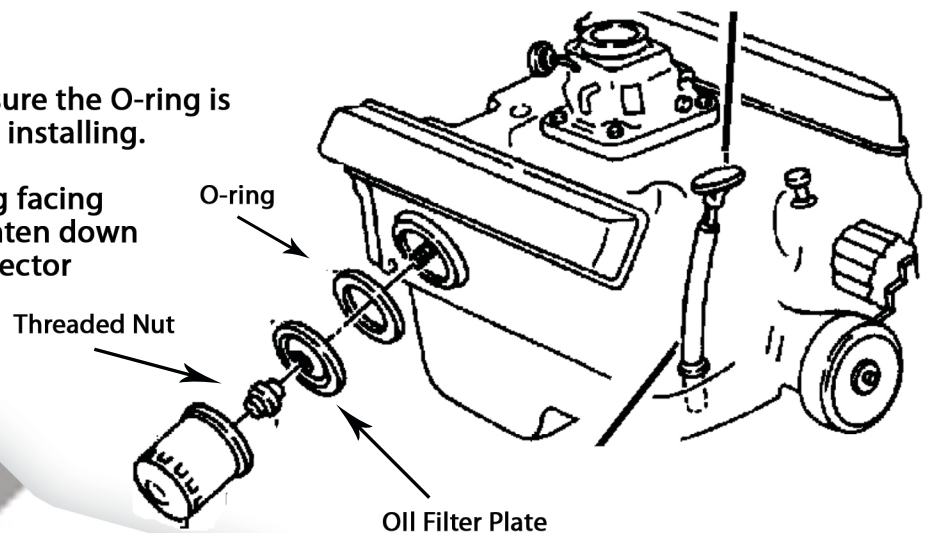
232 Branford Rd.  
North Branford, CT 06471  
Orders: 203.481.9460  
Tech: 203.481.9943  
Fax: 203.481.9641

## *Product Instructions*

**Part # 22-575 SB MOPAR BILLET ALUMINUM FILTER PLATE**  
(1967-1992) 273, 318, 340, 360 Small Block Mopar (Replaces OEM# 2402-103)



1. Package Contents (Threaded nut NOT included)
  - a) (1) Oil Filter Plate
  - b) (1) O-ring
2. Take the Filter Plate and make sure the O-ring is installed on the Adapter before installing.
3. Hold Filter Plate with the O-ring facing block as shown in drawing, tighten down with your original 3/4"-16 connector nipple



**Note:** If your original connector nipple is not available, use Mopar # 53007563AB.