



Quality and Style that Endures

Follow the diagram and the written directions carefully for a proper, safe installation.

Should you encounter an unusual, unforeseen problem, contact our Technical Help Line

7:00 AM – 3:00 PM

Pacific Time

(800) 800-1084

Visit our website at

www.CARR.com

Warranty Information
on our website

Carr Pattern Co., Inc.

Hoop II Step Installation Instructions

Part No's: 101251 / 101252

Approximate installation time for one step – 30 minutes

WARNING!

- ✓ Do not over tighten nuts and bolts as damage to the castings and/or stripping of the threads could result. **Injury may occur if these steps are installed on a vehicle with comprised, rusted or damaged rocker panels.**
- ✓ FOR SAFE AND PROPER USAGE OF THIS PRODUCT, THESE INSTRUCTIONS MUST BE FOLLOWED CAREFULLY AND COMPLETELY. **ANY MODIFICATION TO THIS PRODUCT MAY RESULT IN DAMAGE TO THE VEHICLE OR PERSONAL INJURY.**
- ✓ The manufacturer and distributor of this product are in no way responsible for the consumer's failure to adhere to the warnings and directions of these instructions in the event of damage to the consumer's vehicle, other properties and/or personal injury.

MATERIAL NEEDED:

Drill Motor, 5/16" drill bit, 1/8" drill bit, 2 - 1/2" wrenches, 2 - 7/16" wrenches, 1 - 5/16" wrench, (1-10mm wrench optional), center punch, hammer, marker or pencil.

MATERIAL FURNISHED:

2 – Hoop II Steps, 4 – Mounting Brackets, 1 – Hardware pack, 1 – Instruction sheet.

NOTE: There will be left over hardware once you step is installed.

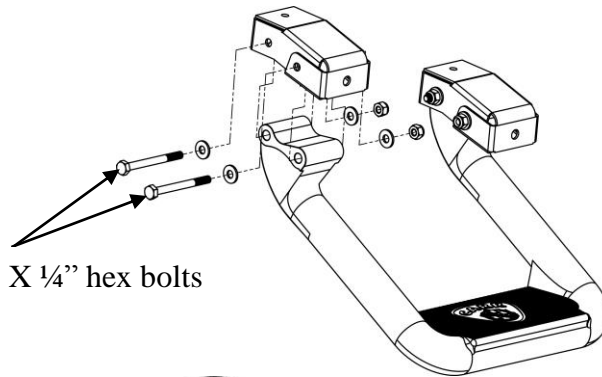
Vehicle Application:

Jeep

'18 - '22 JL Wrangler (Sport, Sport S, Sahara, Rubicon) Front doors only.

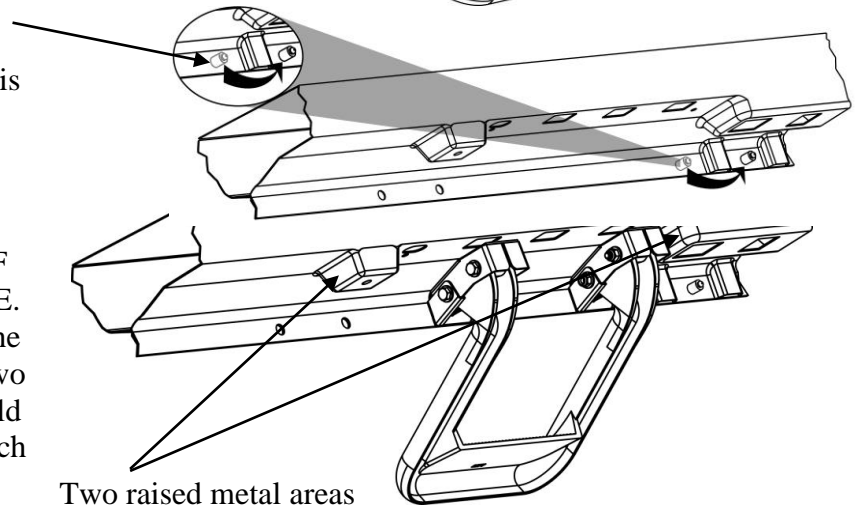
'20 - '22 JT Gladiator Front doors only.

1. With the hardware provided, hand-tighten the mounting brackets to the step as shown in the drawing.



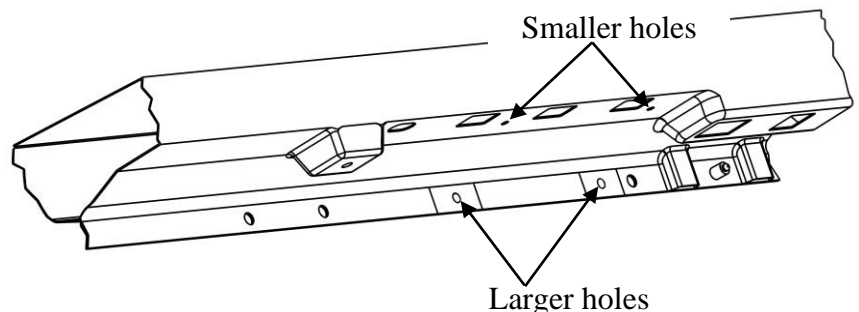
Use the 2 3/4" X 1/4" hex bolts

2. Position the step to see if you need to move the hex bolt hardware. If so, with a 10 mm wrench, move the hex bolt hardware from the vehicle before you can place your step in position. If this needs to be moved, securely reinstall the same hex bolt hardware in the hole as shown in the diagram. Touch up paint may be required once this hex bolt hardware has been removed.
NOTE: YOU WILL NOT BE USING ANY OF THE HOLES ALREADY IN YOUR VEHICLE. From underneath the front driver's door, take the entire step assembly and place it between the two raised metal areas as shown in the diagram. Hold the step in place and mark four lines, one on each side of the mounting brackets.



Two raised metal areas

3. Using the marked lines from step 2, take the mounting brackets off of the step and place them back up against the body metal between the marked lines. Using the holes in the mounting brackets as a guide, mark the larger hole between the lines and another smaller hole at the top of the bracket. See diagram.



**WAX YOUR
STEP ON A
REGULAR
BASIS TO
MAINTAIN
ITS
LUSTER**



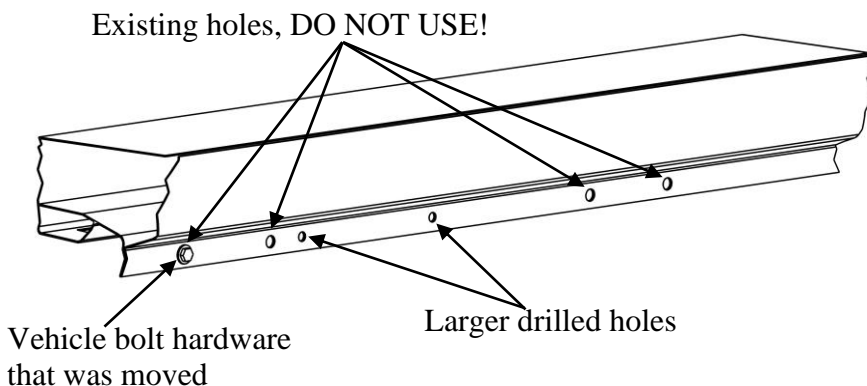
Hoop II Step Installation Instructions

Part No's: 101251 / 101252

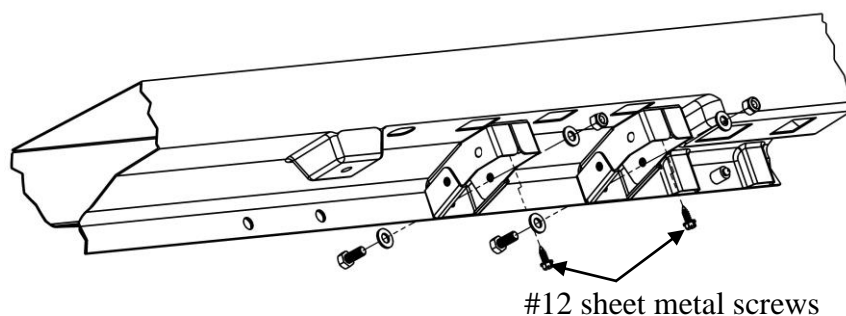
Approximate installation time for one step – 30 minutes



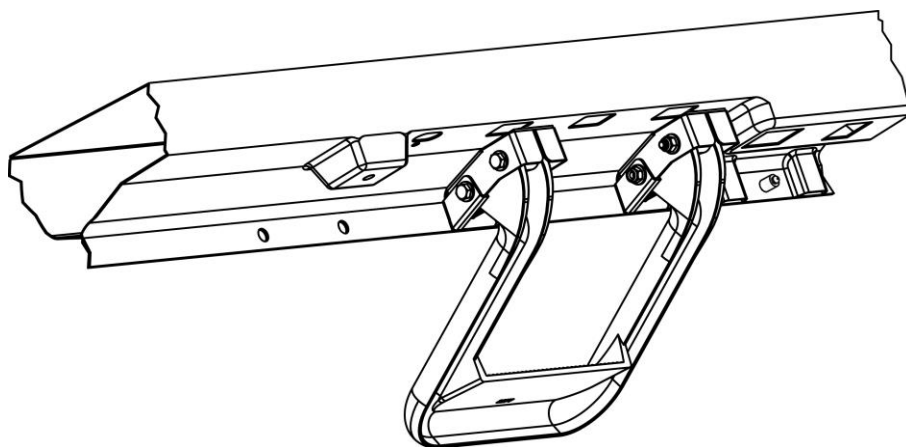
4. Transfer the larger marked holes to the outside body metal. Make sure they match up exactly with the inside marked holes. Center punch both holes. Take a 1/8" drill bit and drill out both marked holes. Take a 5/16" drill bit and drill them to the final size. From underneath center punch the two smaller holes. Use the drill motor and a 1/8" drill bit and drill out the smaller marked holes.



5. Place the mounting brackets back on the vehicle. Using the 5/16" hardware provided, tighten the mounting brackets through the larger drilled holes to the vehicle. Additionally, take the #12 sheet metal screws and place them through the smaller holes in the mounting brackets and securely tighten the mounting brackets to the vehicle.



6. Take the step and place it inside the mounted brackets. If the fit is tight, loosen the front 5/16" bolts until the step fits. Re-install the 1/4" hardware to securely attach the step to the brackets. Go back and securely retighten the 5/16" hardware. Now your step is ready to go! Repeat the same steps for the passenger side.



Carr Pattern Co., Inc. Warranty Policy

Finishes: Limited Lifetime

Structural Warranty: Limited Lifetime

Warranty Conditions:

- a. All warranties start from consumer's date of purchase.
- b. A new product will be sent out immediately to replace a warranty claim.
- c. The above guidelines apply only to the Original Purchaser.
- d. Original proof of purchase must be submitted for all warranty and returns issues.

Warranty Limitations:

- a. Warranty coverage extends ONLY to repair or replacement of the CARR product. This warranty does not cover the cost of labor, transportation, installation or removal of the product.
- b. Warranty coverage does not extend to damage caused by: collision, fire, theft, freezing, vandalism, riot, explosion or object striking the product, or misuse of the product and/or the vehicle on which the product is being installed.
- c. Warranty coverage does not extend to damage caused by: airborne fallout (chemicals, tree sap, etc.), stones, hail, earthquake, water or flood, windstorm, lightning, the application of chemicals or sealants subsequent to manufacture.
- d. Warranty coverage does not extend to damages caused by: normal wear and tear, abuse, modification or improper installation of the product.
- e. Warranty coverage does not extend to any economic loss or extra expense including (without limitation), payment for the loss of time or pay, inconvenience, storage, loss of vehicle use, vehicle rental expense, equipment rental expense, lodging, meals, or other travel costs.

Other Terms:

This warranty gives you specific legal rights and you may also have other rights that vary from state to state. CARR does not authorize any person to create for it any other obligation or liability in connection with its products. ANY IMPLIED WARRANTY OF MERCHANTABILITY OR FITNESS FOR A PARTICULAR PURPOSE APPLICABLE TO THIS PRODUCT IS LIMITED IN DURATION TO THE DURATION OF THIS WRITTEN WARRANTY. PERFORMANCE OF REPAIRS AND NEEDED ADJUSTMENTS IS THE EXCLUSIVE REMEDY UNDER THIS WRITTEN WARRANTY OR ANY IMPLIED WARRANTY. CARR SHALL NOT BE LIABLE FOR INCIDENTAL OR CONSEQUENTIAL DAMAGES RESULTING FROM BREACH OF THIS WRITTEN WARRANTY.*

*Some states do not allow limitations on how long an implied warranty will last or the exclusion or limitation of incidental or consequential damages, so that above limitations or exclusions may not apply to you.

Guarantee: Every attempt has been made to manufacture and distribute the finest quality products available. Our manufactured products are guaranteed to be free of defects due to workmanship or materials. Distributed products are subject to manufacturer's warranty only.