

BORGESON

Steering You Forward

Steering Shaft General Installation Instructions

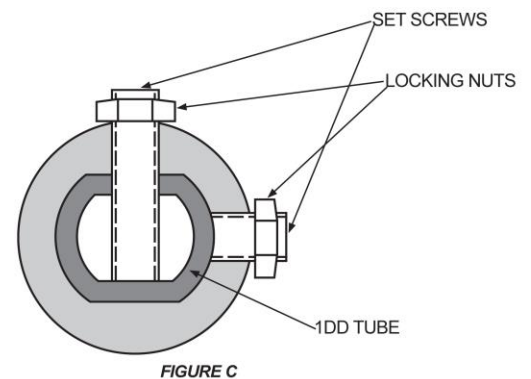
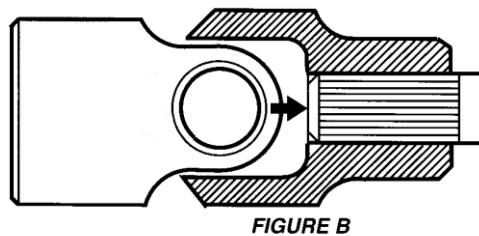
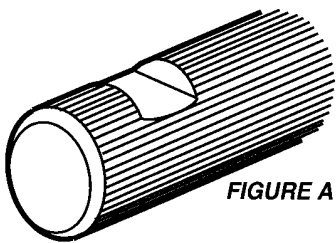
CAUTION: *These instructions are just a general guide line for steering shaft replacement. Consult the vehicle shop manual for instructions specific to your application.*

REMOVAL:

1. Engage the steering column / ignition switch lock with the steering wheel & wheels centered. (**NOTE** It may be necessary to remove the upper and lower steering shaft bolts prior to locking for accessibility)
2. Remove the stock steering assembly by removing the bolts that attach it to the steering box and steering column shafts. This connection is often rusted and may require penetrating oil or a few taps with a hammer.

INSTALLATION:

3. Only insert shaft into universal joint as shown in figure B, further insertion will cause interference with the trunnion of the universal joint and cause damage to the universal joint.
4. When attaching to 1"DD hollow tube drill though one wall of the tubing as shown in figure C to force the tube tight to the opposite side of the universal joint.
5. Remove lock nut when tightening set screws to ensure screw is properly tightened. Tighten all set screw to 17 ft. lbs. **Do not torque set screws with lock nuts in place.** Install lock nuts and tighten to 17 ft. lbs.
6. After approximately 100 miles, retighten all set screws and then lock nuts. If you wish to use a product such as Loctite, we recommend Loctite 222 for ease of removal.



Borgeson Universal Co., Inc.

9 Krieger Dr. Travelers Rest, SC 29690

www.borgeson.com