

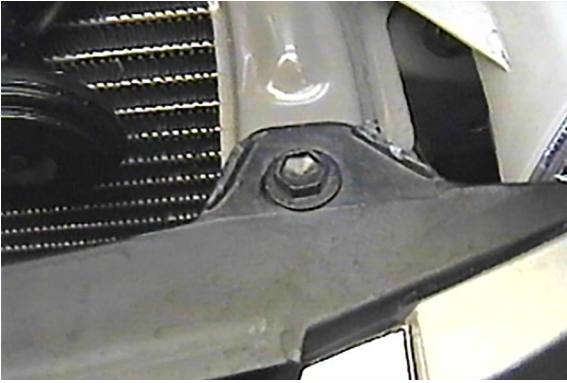


Strong As An Ox™

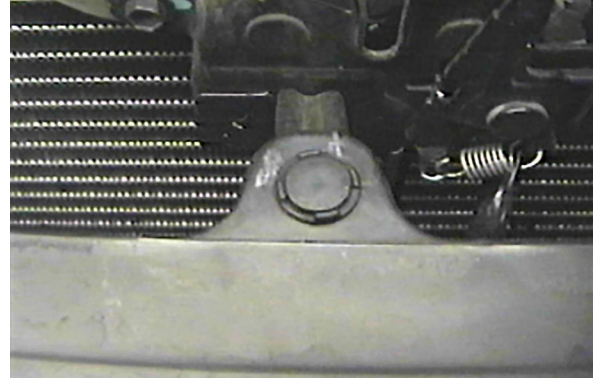
BX3747 Installation Instructions
2002 1/2 Toyota Corolla, CE
2002 Toyota Corolla, LE

Serial No.

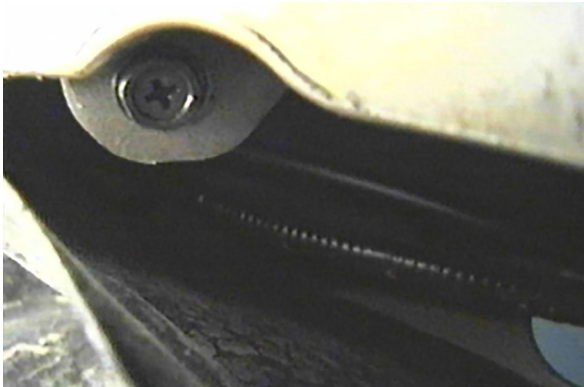
The front fascia and metal bumper are removed for baseplate installation. Holes need to be drilled. Attachment tabs are 24 inches center to center and 13 inches of height. The BX8869 is available for this vehicle.



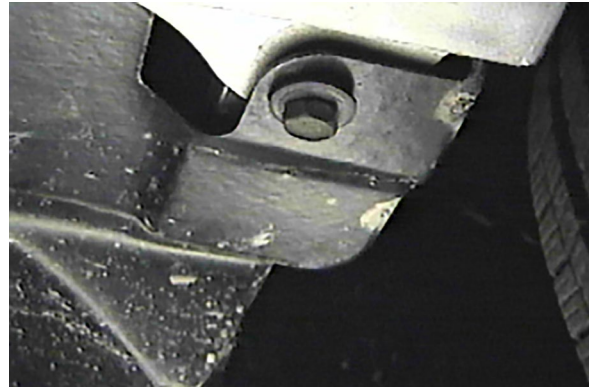
1. Remove the two metric bolts just above head light assemblies with the 10MM socket.



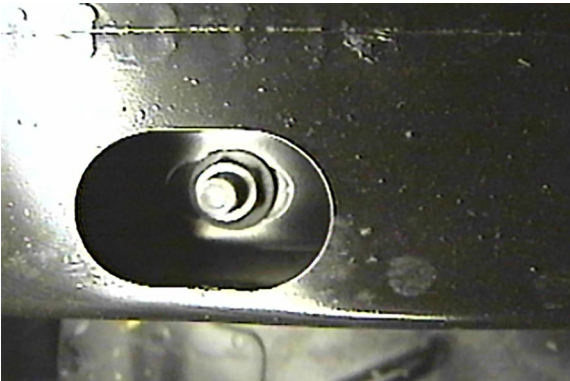
2. On the top center of fascia is one push pin to remove.



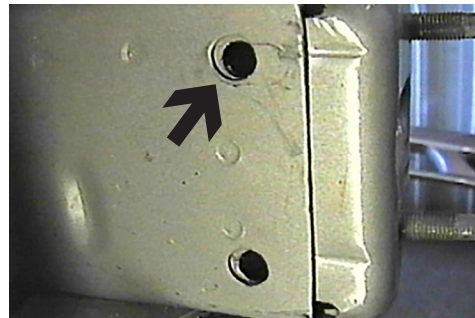
3. Using the 10MM socket, remove the metric bolts from fascia corners just forward of front tires and behind wheel well cover, both sides.



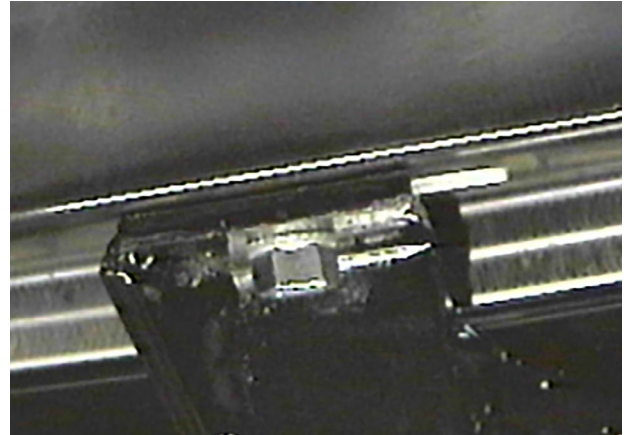
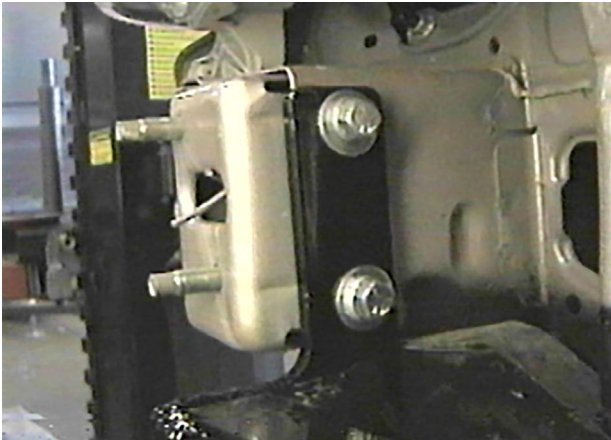
4. Just forward of front tire on the underside of fascia, remove metric bolt with 10MM socket, both sides. Remove one push pin from opening in fascia. Pull fascia forward and set aside.



5. Remove four metric bolts from metal bumper, pull bumper bracket forward and set aside.



6. Drill out the top existing hole on frame ends with the 13/32" drill bit, both sides.



7. Hold baseplate into place. Insert item 2 into frame end and items 4, 5, and 6 to align with drilled hole, both sides. Bottom hole may need to be reamed out with the 13/32" drill bit. Install remaining bolts and tighten. **Be sure and use loctite on all bolts before tightening.**
8. Reinstall bumper brackets and metal bumper, making sure metal bumper is centered. Using the baseplate as a template, drill a 13/32" hole through upper brace into the bottom side of metal bumper. Insert item 3 into metal bumper end, into drilled hole, and tighten items 5 and 7. **Be sure and use loctite on all bolts before tightening.**
9. Install fascia according to removal instructions.
10. The dimensional variations between otherwise identical cars can be considerable. While the location and size of the holes in the baseplate were designed to allow for easy installation, it may be necessary to file a hole slightly to allow a bolt to clear.
11. Install the tow bar and safety cables according to the instructions included in their packages.
12. Do **not** substitute other devices if the tow bar pin and clip are lost.
13. **DEALER OR INSTALLER: BE CERTAIN THE USER RECEIVES THE INSTRUCTION SHEET.**





Strong As An Ox™

Tools Required

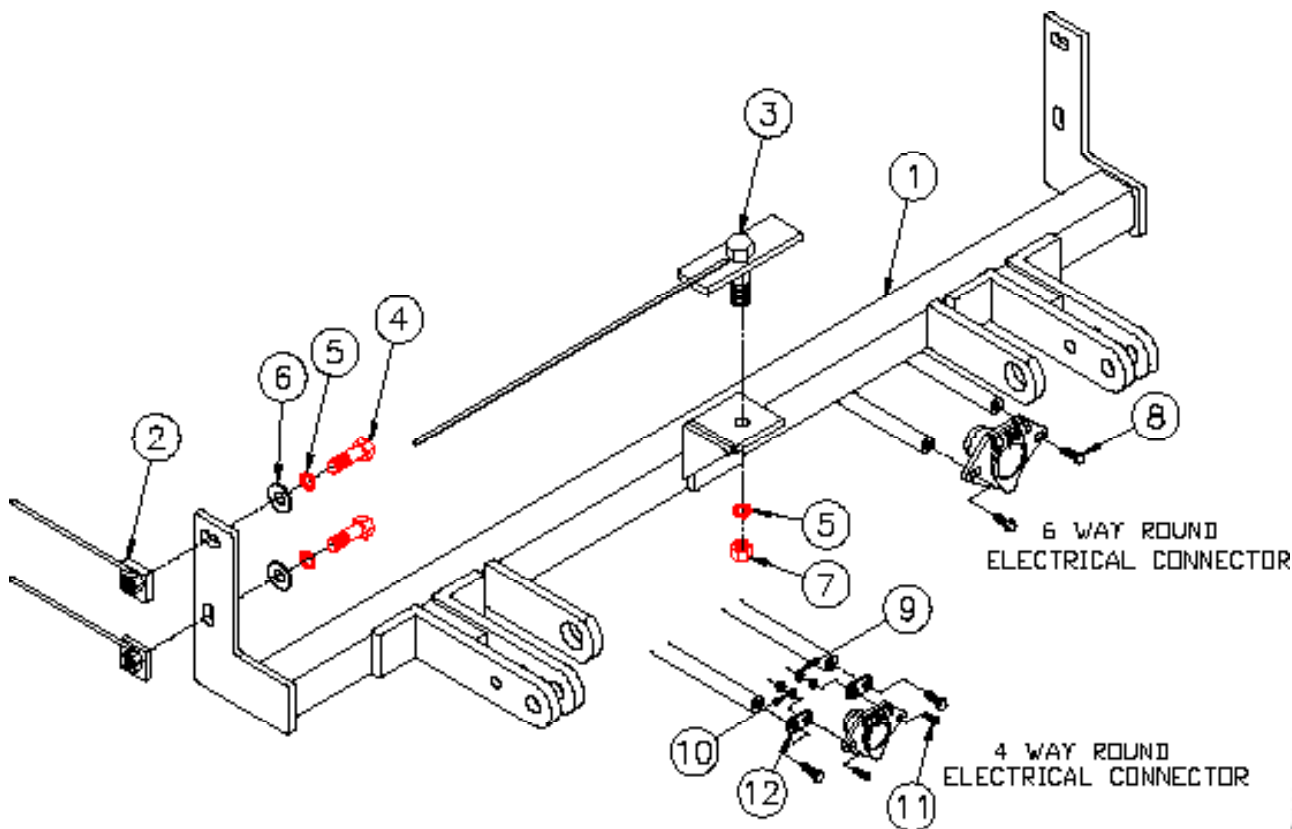
10MM Socket
14MM Socket

Loctite Blue
9/16" Socket

13/32" Drill Bit
Vise Grips

Parts List

Ref. No.	Qty.	Part No.	Description
1	1	61-5727	Weldment, Base Plate, BX3747
2	4	61-5208	Weldment, 3/8-16, Nut Plate
3	1	61-5681	Weldment, 3/8-16 x1, Bolt Plate, with Wire
4	4	201-0440	3/8-16 x 1 1/2 Hex Bolt, Grd. 5, ZP
5	5	203-0010	3/8 Lock Washer, ZP
6	4	203-0003	3/8 Flat Washer, ZP
7	1	202-0003	3/8-16 Hex Nut, ZP
8	2	201-0979	#12-14 x 1" Self Drilling Screw, ZP
9	2	202-0047	#10-32 Hex Nut
10	2	203-0054	#10 Lock Washer
11	2	201-0192	#10-32 x 1/2 Slot, Rd. Hd. Screw
12	2	101-5822	Adapter, 4 Way Connector



IMPORTANT: Use only genuine factory replacement parts on your Base Plate. Do not substitute homemade or nontypical parts. If a bolt is lost or in need of replacement, for your safety and the preservation of your Base Plate, be sure to use a replacement bolt of the same grade (Usually Grade 5, refer to parts list). Repair parts may be ordered through your nearest **Blue Ox** dealer or distributor.

© 2002 Blue Ox Division, Automatic Equipment Mfg. Co. • One Mill Road, Industrial Park
Pender, Nebraska 68047 • Phone 402-385-3051 • Fax 402-385-3360 • www.aemfg.com

292-5965 Rev A 1/25/18 Page 3 of 3

Go RVing
Life's a Trip

General Information

1. Ensure that your product(s) are registered online at www.blueox.com. It is crucial to register your product(s) so that you may be alerted of product offerings, updates, upgrades, maintenance and safety bulletins, and/or recalls.
2. **It is the owner's responsibility to inspect all towing equipment for cracked welds, missing or worn parts and loose bolts before each towing trip.** Be sure to use Loctite® Red on all bolts and tighten to the recommended specifications.
3. **It is the owner's responsibility to hook up all towing equipment per manufacturer's instructions/recommendations.**
4. Remove the attachment tabs when not in use (if applicable).

Notice To Baseplate Installer

1. It is YOUR responsibility to watch for:

- Oil cooler and air conditioner lines
- Electrical wires and hoses
- Missing parts or attaching points on the frame

** If the baseplate is improperly installed and is against a wire or hose, it could cause fluid leaks or electrical shorts some time after the actual baseplate installation.

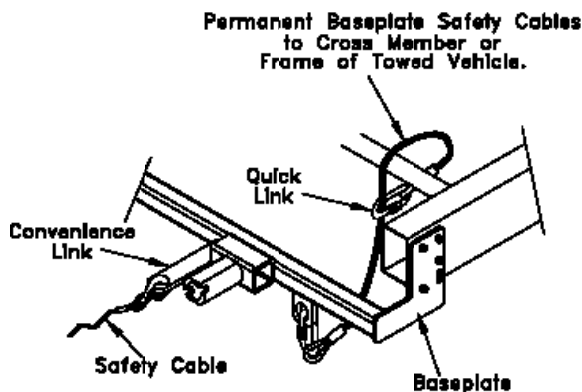
Permanent Baseplate Safety Cable Installation

Permanent baseplate safety cables are strongly recommended when towing a vehicle with a tow bar. The principle function of the permanent baseplate safety cables is to prevent the towed vehicle from breaking loose in the event the connection between the frame of the towed vehicle and the baseplate fails or becomes disconnected. The cables must be connected from the baseplate to the frame rail or cross member of the vehicle's frame. The illustrations below show the possible arrangements recommended by Blue Ox®. Each permanent baseplate safety cable must have an adequate weight rating for the towing system. The weight rating of the two (2) cables together will not qualify.

Do not mount the permanent baseplate safety cables against wires, hoses or brake lines.

These permanent baseplate safety cables should remain installed as long as the baseplate is installed on the vehicle. Permanent baseplate safety cables are to be used in conjunction with, and NOT a replacement for legally required safety cables attaching the towed vehicle to the towing vehicle.

OPTION #1



OPTION #2

