



**BX2159 Installation Instructions
1999-04 Ford Mustang GT**

Serial No.

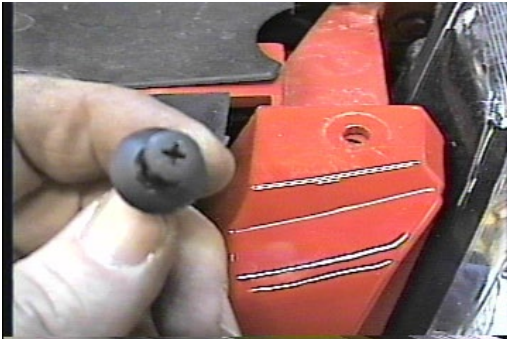
The front fascia is removed for baseplate installation. Holes need to be drilled. Some trimming is needed on the back of fascia. The attachment tabs are centered at 24 inches.



1. Remove the six phillips head push pins from the top side of the grill.



2. Remove two push pins from the under side of the fascia and belly pan.



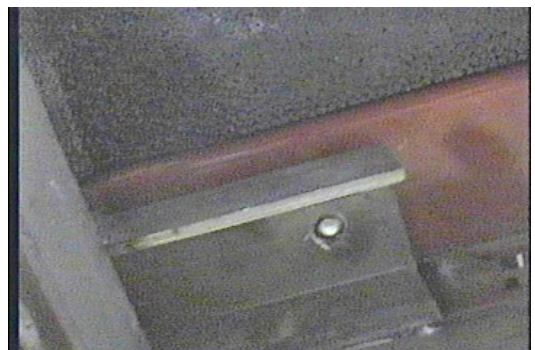
3. There is one phillips head screw on the front of the wheel well to be removed, each side.



4. Pull front wheel well away from fascia and remove two 10MM nuts from inside fender, each side. Remove fascia and set aside.



5. There are existing holes on the passenger side that align with base plate. Insert items 2 and 3 in holes on the under side of frame on passenger side, refer to drawing on page 2. Snug items 5, 6, 7, and 8 into place, do not tighten yet. Use loctite on all bolts.



6. Clamp base plate to bumper with vise grips. Drill holes in drive side frame and underside of metal bumper. Refer to page 2 for location on proper installation of fasteners, tighten all fasteners. Be sure and use loctite on all fasteners.

Automatic

7. Hold fascia into place and trim where needed and then replace fascia. Be sure to reconnect all electrical devices.
8. Install the tow bar and safety cables according to the instructions included in their respective packaging.
9. **DO NOT** substitute other devices if the tow bar pin or clips are lost. Use only Blue Ox replacement parts.
10. **DEALER OR INSTALLER: BE CERTAIN THE USER RECEIVES THE INSTRUCTION SHEET.**

Parts List

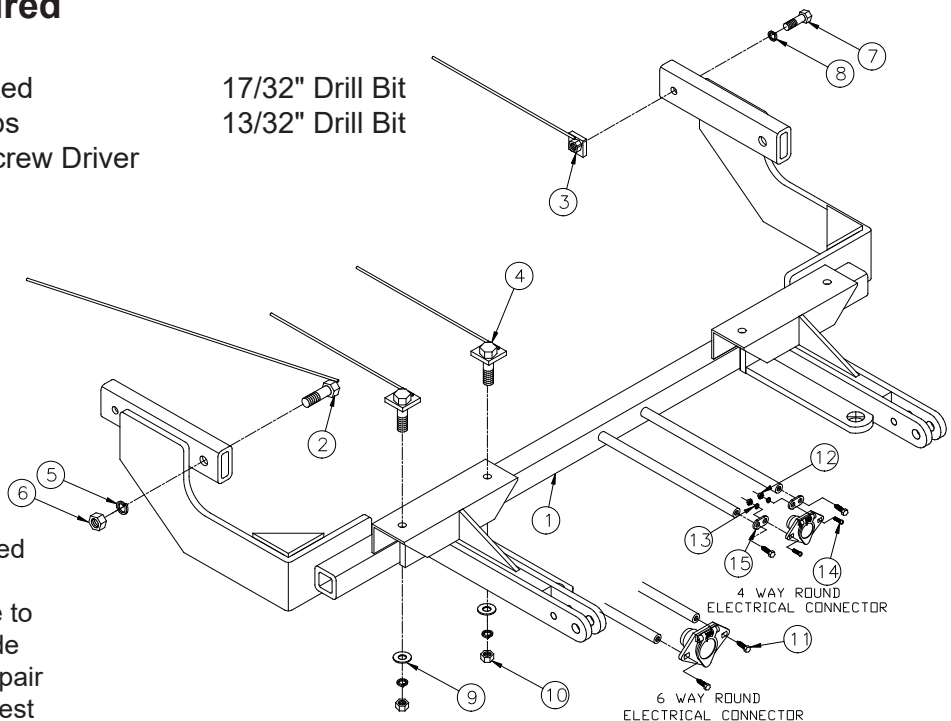
Ref. No.	Qty.	Part No.	Description
1	1	61-5592	Weldment, Base Plate, BX2159
2	2	61-5593	1/2-13 X 2, Bolt w/ 20 Inch Wire
3	2	61-5208	3/8-16, Nut Plate, w/ 14 Inch Wire
4	4	61-5383	3/8-16 x 1 1/4, Bolt Plate, w/ 13 Inch Wire
5	2	203-0012	1/2 Lock Washer, ZP
6	2	202-0005	1/2-13 Hex Nut, ZP
7	2	201-0336	3/8-16 x 2 1/2 Hex Bolt, Grd. 5, ZP
8	6	203-0010	3/8 Lock Washer, ZP
9	4	203-0003	3/8 Flat Washer, ZP
10	4	202-0003	3/8-16 Hex Nut, ZP
11	2	201-0979	#12-14 x 1" Self Drilling Screw, ZP
12	2	202-0047	#10-32 Hex Nut
13	2	203-0054	#10 Lock Washer
14	2	201-0192	#10-32 x 1/2 Slot, Rd. Hd. Screw
15	2	101-5822	Adapter, 4 Way Connector
	2	226-0046	Baseplate Safety Cable, 36" CL III (Not Shown)
	4	229-0359	Quicklink, 3/8, ZP (Not Shown)

Tools Required

10MM Wrench
 3/4" Socket
 9/16" Socket

Loctite Red
 Vise Grips
 Phillip Screw Driver

17/32" Drill Bit
 13/32" Drill Bit



IMPORTANT: Use only genuine factory replacement parts on your Base Plate. Do not substitute homemade or nontypical parts. If a bolt is lost or in need of replacement, for your safety and the preservation of your Base Plate, be sure to use a replacement bolt of the same grade (Usually Grade 5, refer to parts list). Repair parts may be ordered through your nearest **Automatic Blue Ox** dealer or distributor.

General Information

1. Ensure that your product(s) are registered online at www.blueox.com. It is crucial to register your product(s) so that you may be alerted of product offerings, updates, upgrades, maintenance and safety bulletins, and/or recalls.
2. **It is the owner's responsibility to inspect all towing equipment for cracked welds, missing or worn parts and loose bolts before each towing trip.** Be sure to use Loctite® Red on all bolts and tighten to the recommended specifications.
3. **It is the owner's responsibility to hook up all towing equipment per manufacturer's instructions/recommendations.**
4. Remove the attachment tabs when not in use (if applicable).

Notice To Baseplate Installer

1. It is YOUR responsibility to watch for:

- Oil cooler and air conditioner lines
- Electrical wires and hoses
- Missing parts or attaching points on the frame

** If the baseplate is improperly installed and is against a wire or hose, it could cause fluid leaks or electrical shorts some time after the actual baseplate installation.

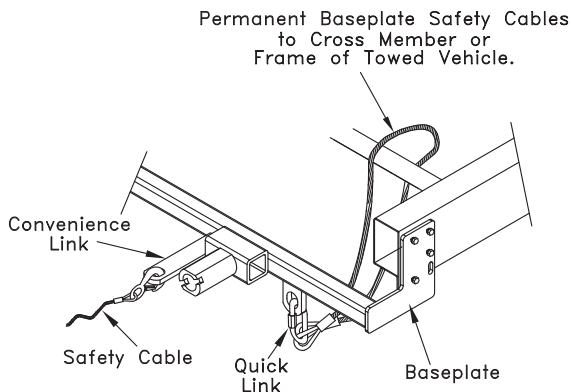
Permanent Baseplate Safety Cable Installation

Permanent baseplate safety cables are strongly recommended when towing a vehicle with a tow bar. The principle function of the permanent baseplate safety cables is to prevent the towed vehicle from breaking loose in the event the connection between the frame of the towed vehicle and the baseplate fails or becomes disconnected. The cables must be connected from the baseplate to the frame rail or cross member of the vehicle's frame. The illustrations below show the possible arrangements recommended by Blue Ox®. Each permanent baseplate safety cable must have an adequate weight rating for the towing system. The weight rating of the two (2) cables together will not qualify.

Do not mount the permanent baseplate safety cables against wires, hoses or brake lines.

These permanent baseplate safety cables should remain installed as long as the baseplate is installed on the vehicle. Permanent baseplate safety cables are to be used in conjunction with, and NOT a replacement for legally required safety cables attaching the towed vehicle to the towing vehicle.

OPTION #1



OPTION #2

