



BXW4048

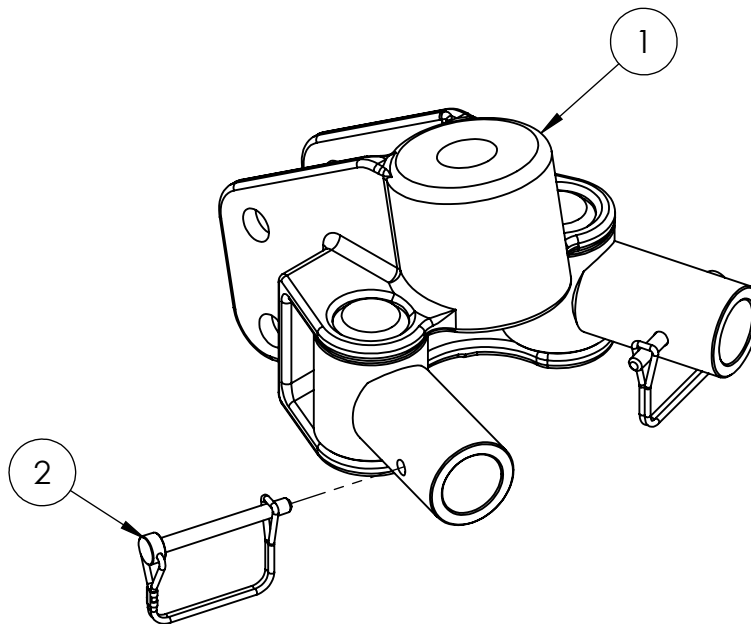
TrackPro Hitch Head Kit

Installation Instructions

CAUTION

Before installing the Hitch Head Kit unhook the trailer from the hitch head. Also remove the spring bars from the hitch head.

1. Remove the existing hitch head from the receiver hitch mount. Do not discard fasteners, they will be reinstalled. If being reused, remove the ball from the existing hitch head and install onto the new hitch head. Torque to manufacture's specifications.
2. Install the new hitch head onto the receiver hitch mount in the previously used location, using the existing 3/4" fasteners. Torque the bolts to 257 ft/lbs.



Item No.	Part No.	Description	Qty.
1.....	299-0845	Hitch Head.....	1
2.....	229-0440	5/16" x 2-1/2" Eff. Spring Lock Pin.....	2