



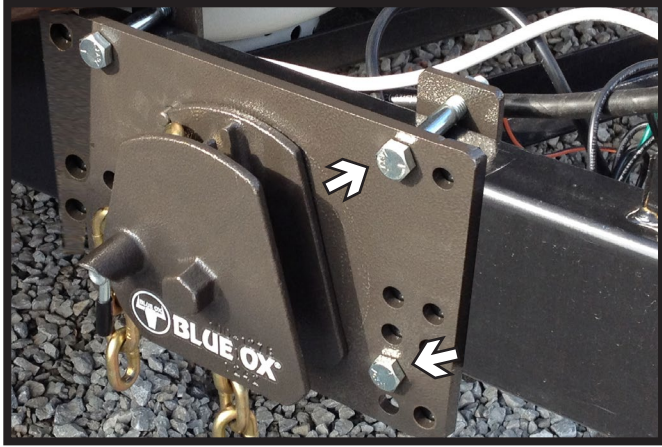
# BXW4021 Bolt-Around Rotating Latch Kit Installation Instructions



Bolt-Around Signature Series Rotating Latch

BXW4021  
Bolt-Around Rotating Latch Kit  
Installation Instructions

## Bolt-Around Installation



1. Measure the horizontal distance per the weight distribution hitch manufacturer's recommended specifications.
2. Install the appropriate bolts into the top holes of the latch plate and the closest lower holes to the bottom of the frame. Install the backing plates and 1/2"-13 lock nuts on the inside of the frame. Tighten all hardware.

Note: 1-1/2" thick frames use 1/2"-13 x 2-3/4" bolts  
2" thick frames use 1/2"-13 x 3-1/4" bolts

3. Rotate the latch clockwise. Place the chain into the desired slot.
4. Rotate the latch counterclockwise to lock.

***Repeat on other side of the trailer***

## Bolt-Thru Installation (5" and taller frames only)

1. Measure horizontal distance per weight distribution hitch manufacturer's recommended specifications. Flush the top of the latch to the top of the frame. Clamp the latch to the frame or mark the center of the holes to be drilled.
2. Using a 1/2" drill bit, drill the four (4) upper holes thru the frame. Install the appropriate 1/2"-13 bolts and 1/2"-13 lock nuts. Tighten down all hardware.

**Note:** On 2" tubular frame trailers use the provided 1/2"-13 x 3-1/4" bolts. On 1-1/2" tubular frame trailers use the provided 1/2"-13 x 2-3/4" bolts. On channel frame trailers use the provided 1/2"-13 x 1-1/4" bolts.

3. Rotate the latch clockwise. Place the chain into the desired slot.
4. Rotate the latch counterclockwise to lock.

***Repeat on other side of the trailer***



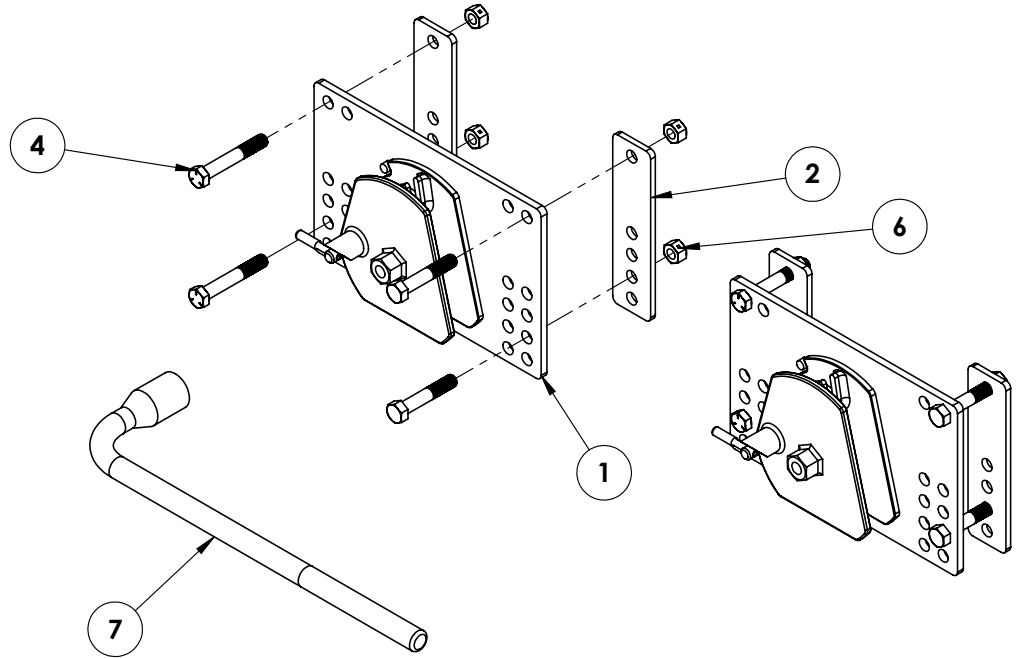
# BXW4021

## Bolt-Around Rotating Latch Kit

### Installation Instructions

**Tools Required**

Large Vise Grip  
 Drill  
 Tape Measure  
 1/2" Drill Bit  
 3/4" Socket  
 3/4" Wrench



Item No.	Part No.	Description	Qty.
1.....	62-4020.....	Bolt-Around Rotating Latch.....	2
2.....	101-8341.....	Bolt-Around Backing Plate.....	4
3.....	201-0011(Not Shown).....	1/2"-13 x 1-1/4" Hex Head Bolt, Grade 5, ZP.....	8
4.....	201-0473.....	1/2"-13 x 2-3/4" Hex Head Bolt, Grade 5, ZP.....	8
5.....	201-0799(Not Shown).....	1/2"-13 x 3-1/4" Hex Head Bolt, Grade 5, ZP.....	8
6.....	202-0016.....	1/2"-13 Hex Dimple Lock Nut, ZP.....	8
7.....	299-0786.....	Rotating Latch Wrench.....	1

## CUSTOMER SERVICE COMMITMENT

Blue Ox® is committed to providing you with exceptional customer care throughout your lifetime with our products. Our team is here to assist you with any questions you may have regarding the performance of your product. Simply call (402) 385-3051 and you can speak with our customer care team.

Additionally, please visit our website to see which rallies our Destination America team will be attending. For a nominal fee, our service technician will service your towing system to ensure it's in proper working condition. Also, as a commitment to our customers, should you visit our factory, you can stay at our full service Blue Ox® campground at no charge along with enjoying a factory tour.

Again, thank you for being our customer and for the confidence you have shown in the performance of our products. It is because of customers like you we enjoy the success we have today.

© 2014 Blue Ox  
 One Mill Road, Industrial Park  
 Pender, Nebraska 68047  
 Phone: (402) 385-3051  
 Fax: (402) 385-3360  
[www.blueox.com](http://www.blueox.com)