



BXW4020

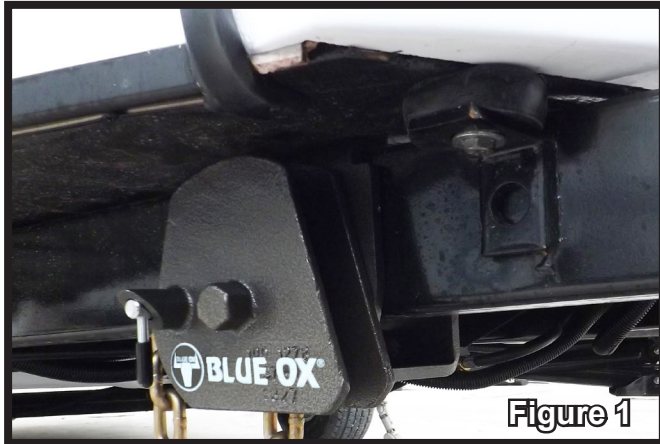
Under Clamp Rotating Latch Kit Installation Instructions



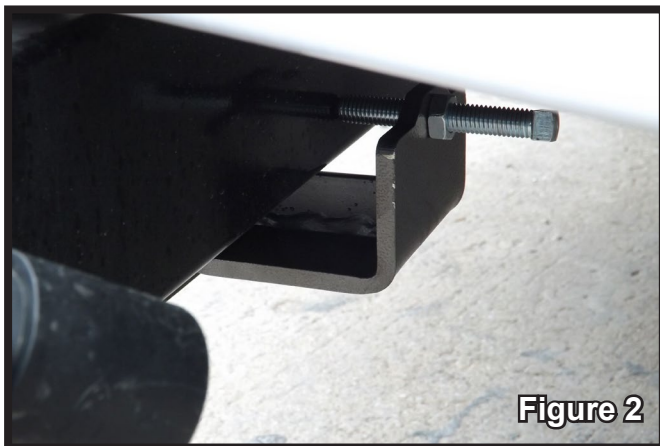
Under Clamp Signature Series Rotating Latch
4" High Frames Only

BXW4020
Under Clamp Rotating Latch Kit
Installation Instructions

Under Clamp Latch Installation



1. Measure the horizontal distance per the weight distribution hitch manufacturer's recommended specifications.
2. Slide the back plate of the latch past the inside of the frame. Lift the latch up until the top tab of the latch clears the top of the frame. Push the latch against the face of the frame. (Figure 1)
3. Using a 1/2" wrench, tighten the set screw until the latch is tight against the frame. Using a 3/4" wrench, tighten the jam nut securely against the back plate. (Figure 2)



4. Rotate the latch clockwise. Place the chain into the desired slot.
5. Rotate the latch counterclockwise to lock. (Figure 3)

Repeat on other side of the trailer

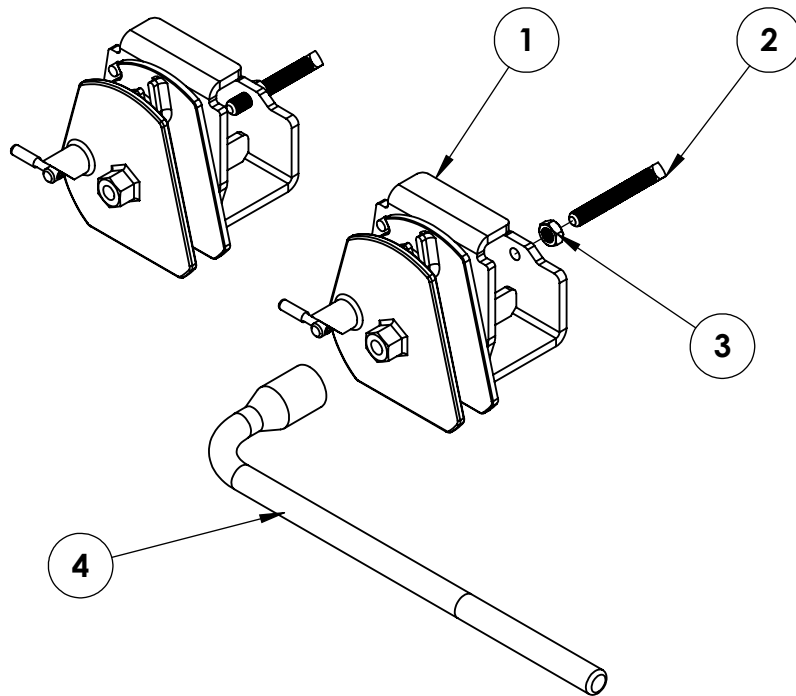


BXW4020

Under Clamp Rotating Latch Kit Installation Instructions

Tools Required

Tape Measure
1/2" Wrench
3/4" Wrench



Item No.	Part No.	Description	Qty.
1.....	62-3988.....	Under Clamp Rotating Latch.....	2
2.....	201-0538.....	1/2"-13 x 3-1/2" Square Head Set Screw.....	2
3.....	202-0143.....	1/2"-13 Essna Jam Nut.....	2
4.....	299-0786.....	Rotating Latch Wrench.....	1

CUSTOMER SERVICE COMMITMENT

Blue Ox® is committed to providing you with exceptional customer care throughout your lifetime with our products. Our team is here to assist you with any questions you may have regarding the performance of your product. Simply call (402) 385-3051 and you can speak with our customer care team.

Additionally, please visit our website to see which rallies our Destination America team will be attending. For a nominal fee, our service technician will service your towing system to ensure it's in proper working condition. Also, as a commitment to our customers, should you visit our factory, you can stay at our full service Blue Ox® campground at no charge along with enjoying a factory tour.

Again, thank you for being our customer and for the confidence you have shown in the performance of our products. It is because of customers like you we enjoy the success we have today.

© 2013 Blue Ox
One Mill Road, Industrial Park
Pender, Nebraska 68047
Phone: (402) 385-3051
Fax: (402) 385-3360
www.blueox.com