



BXW4010 & BXW4027 Clamp-On Rotating Latch Kit Installation Instructions



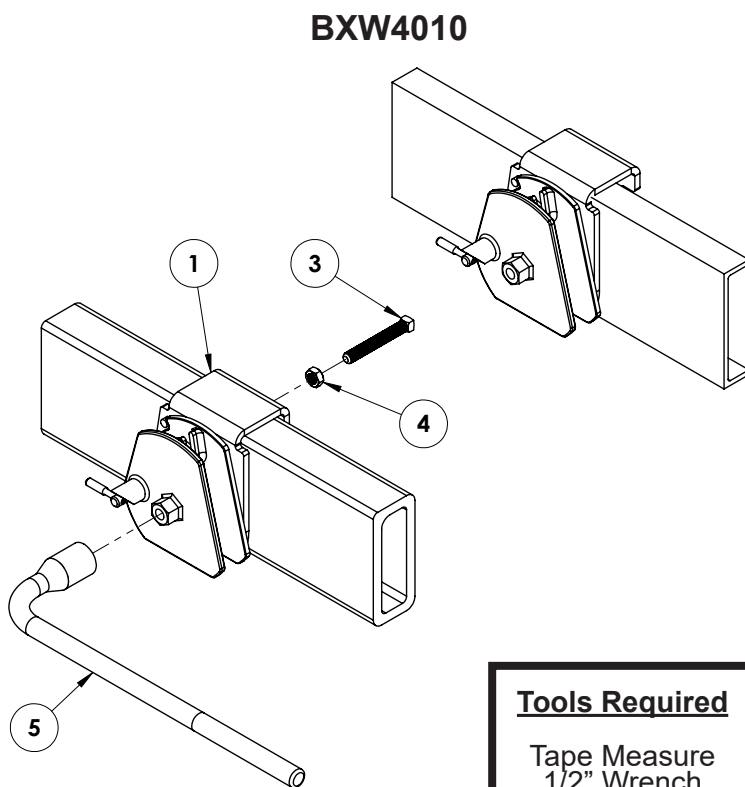
Clamp-On Signature Series Rotating Latch

BXW4010 & BXW4027
Clamp-On Rotating Latch Kit
Installation Instructions

Clamp-On Latch Installation

1. Install the weight distribution hitch per manufacturer's instructions.
2. Measure the horizontal distance per the weight distribution hitch manufacturer's recommended specifications. Position the rotating latches on the frame so that the chain aligns with the center of the rotating latch.
3. Torque the 1/2"-13 set screws against the trailer tongue framework to 40 ft/lbs and tighten the jam nut.
Note: If the trailer structure interferes with the rotating latches pre-installed set screws, replace them with the shorter 1/2"-13 x 2" set screws provided.
4. Rotate the latch clockwise. Place the desired chain link into the slot.
5. Rotate the latch counterclockwise to lock.

Repeat on other side of the trailer



Tools Required

Tape Measure
1/2" Wrench
3/4" Wrench

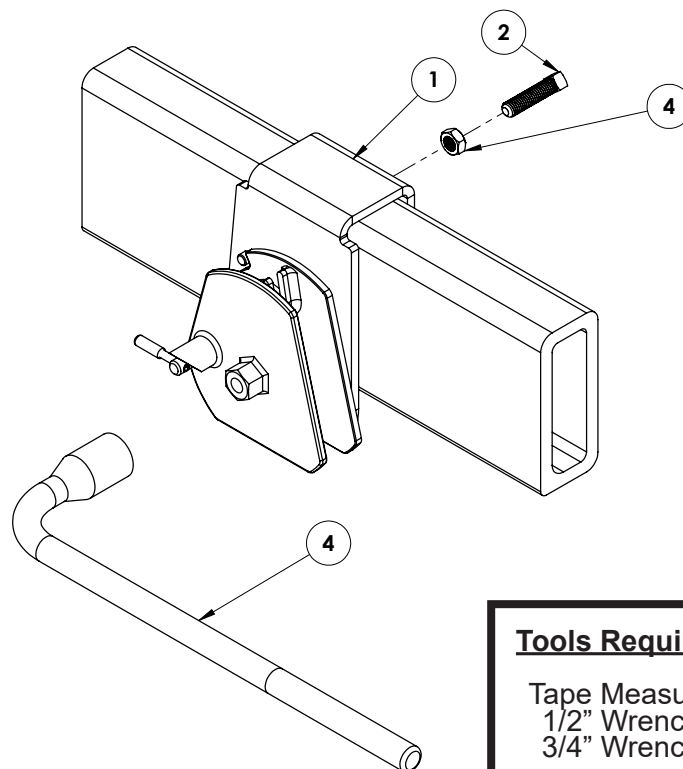
Item No.	Part No.	Description	Qty.
1.....	62-3774	Clamp-On Rotating Latch	2
2.....	201-0054(Not Shown)	1/2"-13 x 2" Square Head Set Screw	2
3.....	201-0538	1/2"-13 x 3-1/2" Square Head Set Screw	2
4.....	202-0092	1/2"-13 Hex Jam Nut, ZP	2
5.....	299-0786	Rotating Latch Wrench	1

BXW4010 & BXW4027
Clamp-On Rotating Latch Kit
Installation Instructions

Clamp-On Latch Installation

BXW4027

1. Install the weight distribution hitch per manufacturer's instructions.
2. Measure the horizontal distance per the weight distribution hitch manufacturer's recommended specifications. Position the rotating latches on the frame so that the chain aligns with the center of the rotating latch.
3. Torque the 1/2"-13 set screws against the trailer tongue framework to 40 ft/lbs and tighten the jam nut.
4. Rotate the latch clockwise. Place the desired chain link into the slot.
5. Rotate the latch counterclockwise to lock.



Tools Required

Tape Measure
1/2" Wrench
3/4" Wrench

Repeat on other side of the trailer

Item No.	Part No.	Description	Qty.
1.....	62-4243	Clamp-On Rotating Latch	2
2.....	201-0054	1/2"-13 x 2" Square Head Set Screw	2
3.....	202-0092	1/2"-13 Hex Jam Nut, ZP	2
4.....	299-0786	Rotating Latch Wrench	1

BXW4010 & BXW4027
Clamp-On Rotating Latch Kit
Installation Instructions

CUSTOMER SERVICE COMMITMENT

Blue Ox® is committed to providing you with exceptional customer care throughout your lifetime with our products. Our team is here to assist you with any questions you may have regarding the performance of your product. Simply call (402) 385-3051 and you can speak with our customer care team.

Additionally, please visit our website to see which rallies our Destination America team will be attending. For a nominal fee, our service technician will service your towing system to ensure it's in proper working condition. Also, as a commitment to our customers, should you visit our factory, you can stay at our full service Blue Ox® campground at no charge along with enjoying a factory tour.

Again, thank you for being our customer and for the confidence you have shown in the performance of our products. It is because of customers like you we enjoy the success we have today.



© 2013 Blue Ox
One Mill Road, Industrial Park
Pender, Nebraska 68047
Phone: (402) 385-3051
Fax: (402) 385-3360
www.blueox.com